

CTCDRH3D28F Series

From 3.3 μH to 47 μH



CHARACTERISTICS

- Description:** SMD (shielded) power inductor.
- Applications:** Power supplies for OA equipment, LCD televisions, PC notebooks, portable communication equipment, DC/DC converters, etc.
- Operating Temperature:** -40°C to +85°C
- Inductance Tolerance:** $\pm 20\%$, $\pm 30\%$
- Testing:** Inductance is tested on an HP4285A at 100KHz, 0.1V
- Packaging:** Tape & Reel.
- Marking:** Parts are marked with letter identifier.
- Miscellaneous:** RoHS Compliant.
- Additional Information:** Additional electrical & physical information available upon request.
- Samples available. See website for ordering information.**

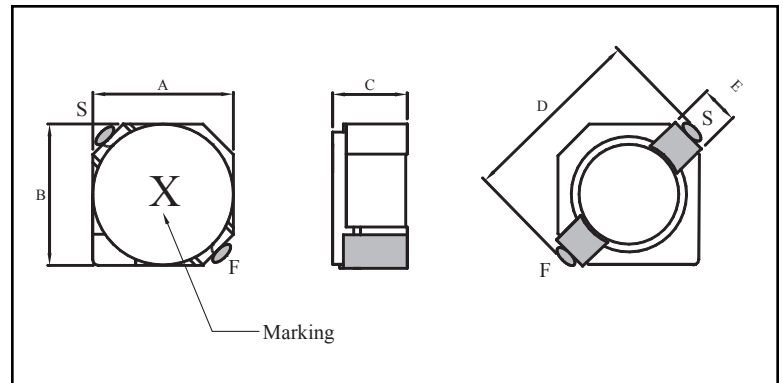
SPECIFICATIONS

Part numbers indicate available inductance tolerance:
 M = $\pm 20\%$, N = $\pm 30\%$
 Inductance drop = 35% typ. at Isat.
 $\Delta T = 40^\circ\text{C}$ rise at Irms.

Part Number	Marking	Inductance at 100kHz (μH)	Irms Max. (A)	Isat Max. (A)	DCR Max. (Ω)
CTCDRH3D28F-3R3N	D	3.30	1.85	2.00	0.0721
CTCDRH3D28F-4R7N	E	4.70	1.62	1.65	0.0883
CTCDRH3D28F-6R8N	F	6.80	1.32	1.24	0.1190
CTCDRH3D28F-100M	G	10.0	1.18	1.05	0.1450
CTCDRH3D28F-150M	I	15.0	1.02	0.90	0.2130
CTCDRH3D28F-220M	K	22.0	0.74	0.76	0.3350
CTCDRH3D28F-330M	M	33.0	0.63	0.58	0.4810
CTCDRH3D28F-470M	O	47.0	0.56	0.48	0.5990

PHYSICAL DIMENSIONS

Size	A Max.	B Max.	C Max.	D Max.	E Ref.
mm	4.0	4.0	3.0	5.2	1.0
inches	0.16	0.16	0.12	0.20	0.04



PAD LAYOUT

Unit: mm

