



**Electrical Specifications**

**Pass Band:** 3dB BW 292.5 Min to 307.5 Max MHz  
**Insertion Loss:** 7.5 dB @ 300 MHz  
**In/Out VSWR:** 1.25:1 Max @ 300 MHz  
**Stopband:** 80 dB @ 240 MHz  
 40 dB BW 32 Max MHz

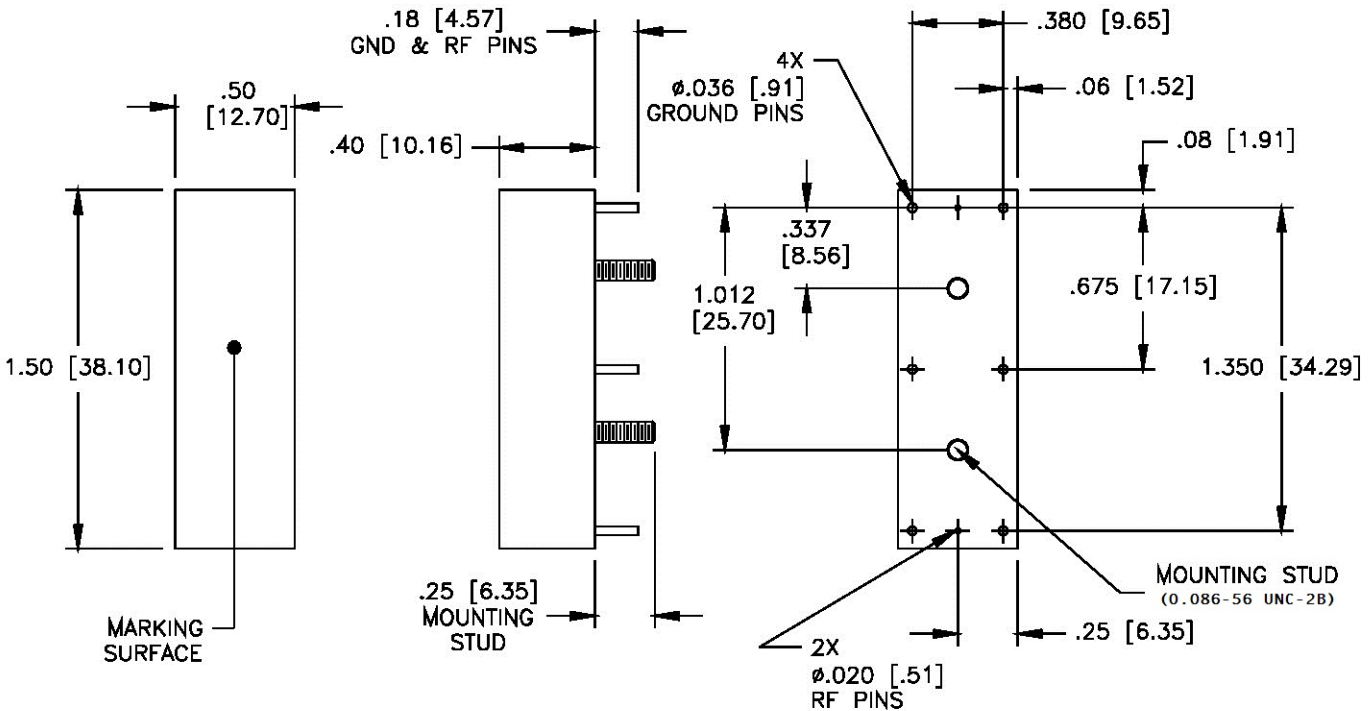
**Mechanical**

**Connector Type:** RF Pins  
**Dimensions:** 1.50 x 0.50 x 0.40 Inches

**Environmental**

**Operating Temperature:** -30 to +85° C  
**Storage Temperature:** -40 to +95° C  
**Shock:** 20 G. 11 ms  
**Vibration:** 20 G. 5 to 200 MHz

**Outline Drawing:**



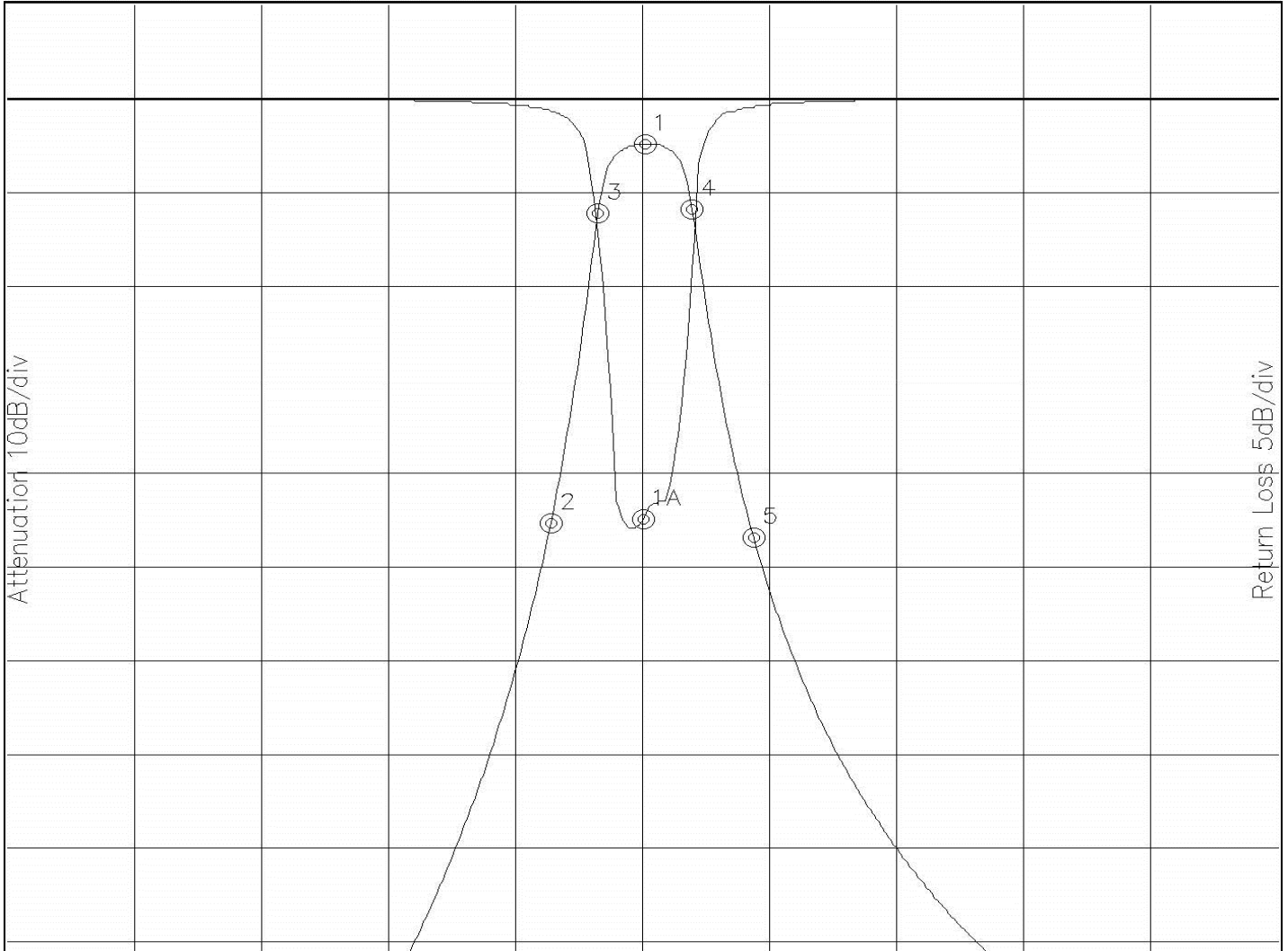


### Response Plot:

A4/0.lad

JAN 20, 2015

Attenuation/Return Loss



Attenuation Start: 200.0MHz Stop: 400.0MHz

Return Loss Start: 200.0MHz Stop: 400.0MHz

- Marker 1 Freq 300.16MHz Atten -4.720dB
- Marker 2 Freq 285.29MHz Atten -45.149dB
- Marker 3 Freq 292.73MHz Atten -12.241dB
- Marker 4 Freq 307.59MHz Atten -11.835dB
- Marker 5 Freq 317.28MHz Atten -46.727dB

Marker 1A Freq 299.83MHz Ret Loss -22.418dB