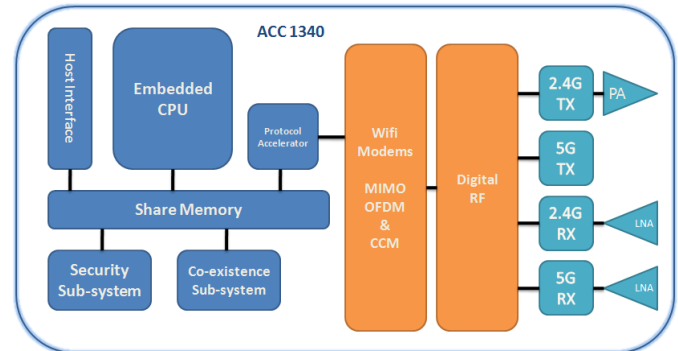


Description

The ACC1340 is an IEEE 802.11a/b/g/n WLAN single-chip solution fully optimized for applications such as video transmission, audio playback and IoT. The extremely low power consumption and intelligent host application off-loading offer industry leading power savings. High levels of integration allow for very compact and cost-effective reference designs delivering fast time-to-market for new WLAN enabled products.



Features

- IEEE 802.11a/b/g/n dual-band
- 73-pin lead-free/RoHS compliant
- WLCSP 0.4 mm pitch
- Power supply
 - Integrated SMPS for direct battery connection
 - Software adjustable output voltage to minimize power consumption
- Clocks
 - Reference clock input (digital or sine wave)
 - Low power clock input at 32.768 kHz
 - Direct external crystal input for reference clock
- Legacy and U-APSD power save modes
- Various on-chip auto calibration features
- MCS 0-7, 65 Mbps OFDM
- WLAN solution with fully integrated:
 - Baseband processor
 - ARM9 application CPU
 - SPI serial host interface
 - SDIO (1-bit, 4-bit) serial host interface
 - UART
 - 9 GPIO
 - 356KB RAM
- Application CPU:
 - 176KB CPU RAM (Harvard architecture D/I TCM), zero wait
 - 180KB shared RAM
 - 160Mhz CPU speed
 - SDK with embedded TCP/IP layer
 - Host offloading support
- MAC enhancements:
 - 802.11d - Regulatory domain operation
 - 802.11e – QoS/WMM
 - 802.11h – Transmit power control dynamic and frequency selection (DFS)
 - 802.11i - Security including WPA2 and WAPI compliance
 - 802.11k - Radio resource measurement
 - Wi-Fi Direct
 - 802.11r - Roaming
 - 802.11w - Management frame protection