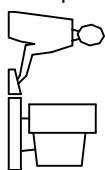
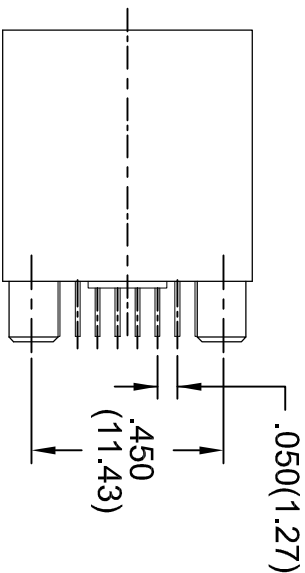
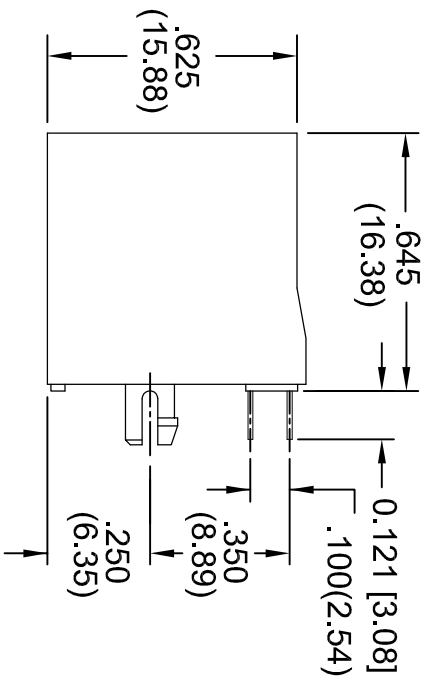
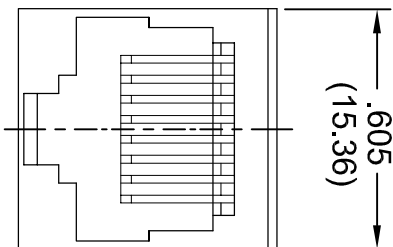
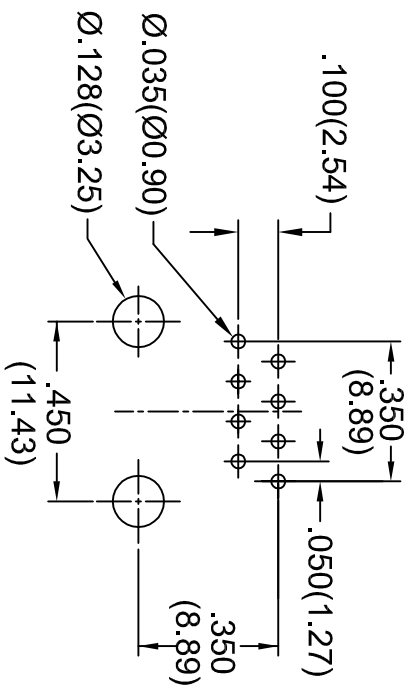


TOLERANCE UNLESS OTHERWISE SPECIFIED:
±.010 (0.25)

THIS IS A C.A.D. GENERATED DRAWING
DO NOT MAKE MANUAL REVISIONS TO MASTER.



ISSUE NUMBER
ADD TOLERANCE ± .010 (±0.25) ADD PLATING SPECS R.STA.MONICA MAY 26/2015
UPDATE SPECS J.TAN NOV.3/2016
(5)

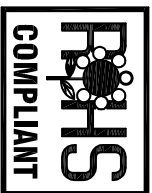


NOTES:
HOUSING: PA66, UL94V-0, COLOR: BLACK
CONTACTS:

PART NO.

MATERIAL & PLATING

- A00-108-220-450 0.45MM PHOSPHOR BRONZE
GOLD FLASH PLATING ALL OVER NICKEL
UNDERPLATING
- A00-108-620-450 0.35MM COPPER ALLOY
30µIN OF GOLD PLATING ON CONTACT AREA
WITH TIN PLATING ON SOLDER AREA ALL
OVER NICKEL UNDERPLATING



THIS SERIES FULLY CONFORMS TO THE
EUROPEAN UNION DIRECTIVES
2011/65/EU FOR ROHS COMPLIANCY.

**MODULAR JACK TOP ENTRY PCB
8 POSITIONS**

EDAC INC
TORONTO, ONTARIO
CANADA
YOUR CONNECTION TO QUALITY & SERVICE

THESE DRAWINGS AND SPECIFICATIONS
ARE THE PROPERTY OF EDAC INC. AND
SHALL NOT BE REPRODUCED OR COPIED
OR USED AS THE BASIS FOR THE
MANUFACTURE OR SALE OF APPARATUS
WITHOUT WRITTEN PERMISSION.

ACAD REFERENCE NO. A00-108-220-450

DRAWN: R.BLAKELY DATE: NOV. 13/06

CHECKED: DATE:

PART NUMBER SEE PART NO.

DRAWING NUMBER

A00-108-220-450

ISSUE

5