

4

3

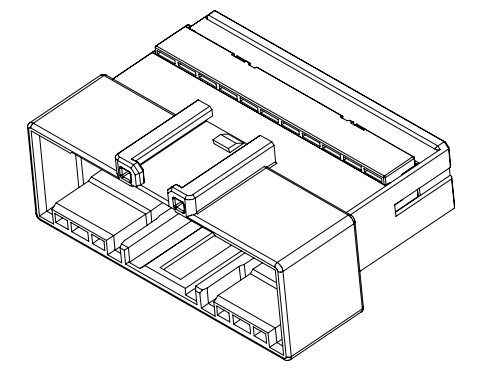
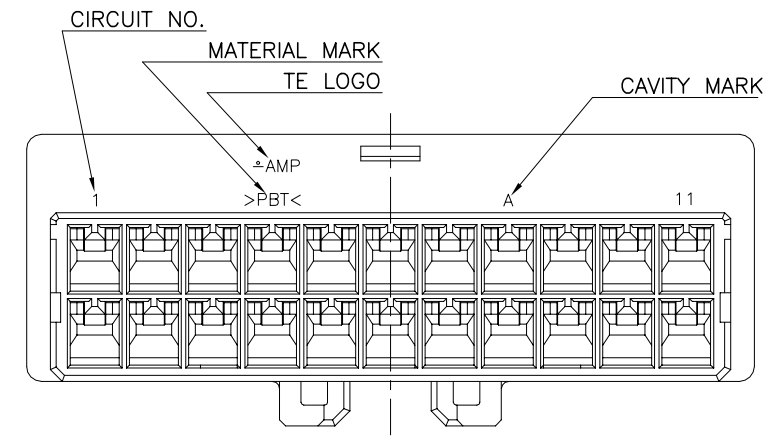
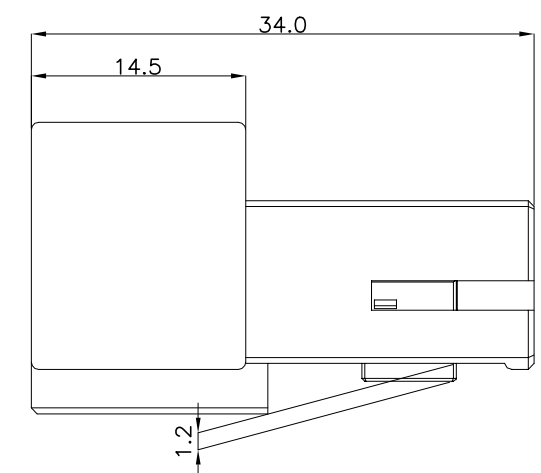
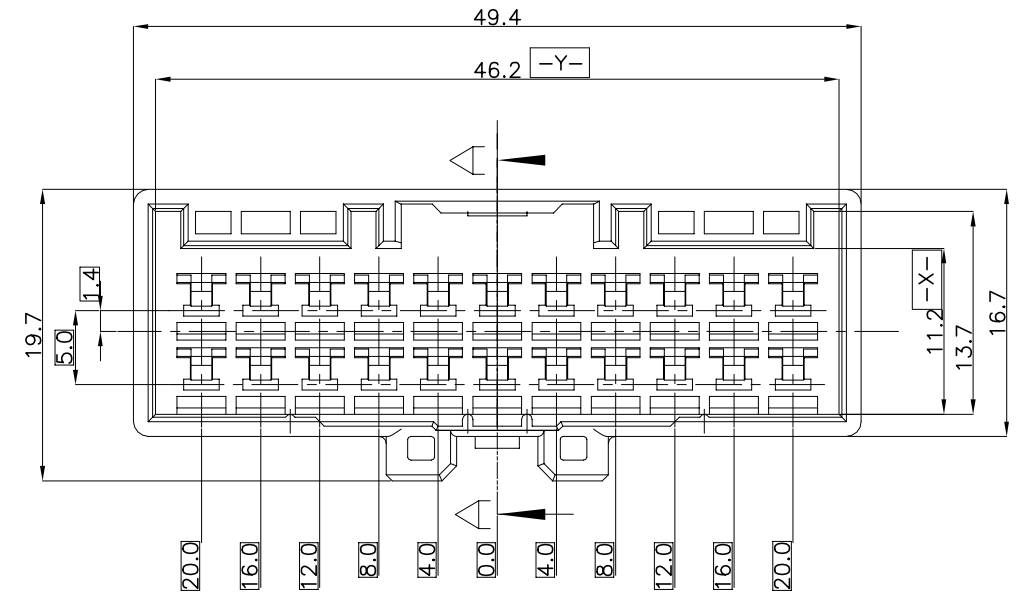
2

1

THIS DRAWING IS UNPUBLISHED. RELEASED FOR PUBLICATION

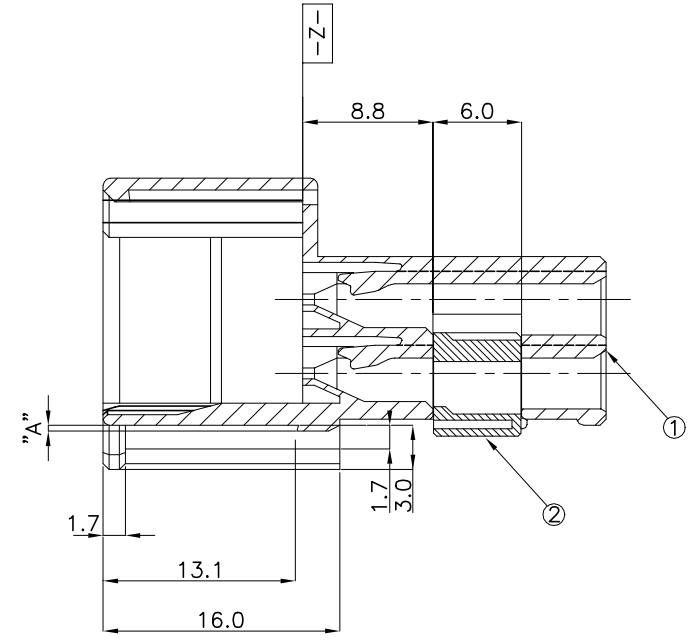
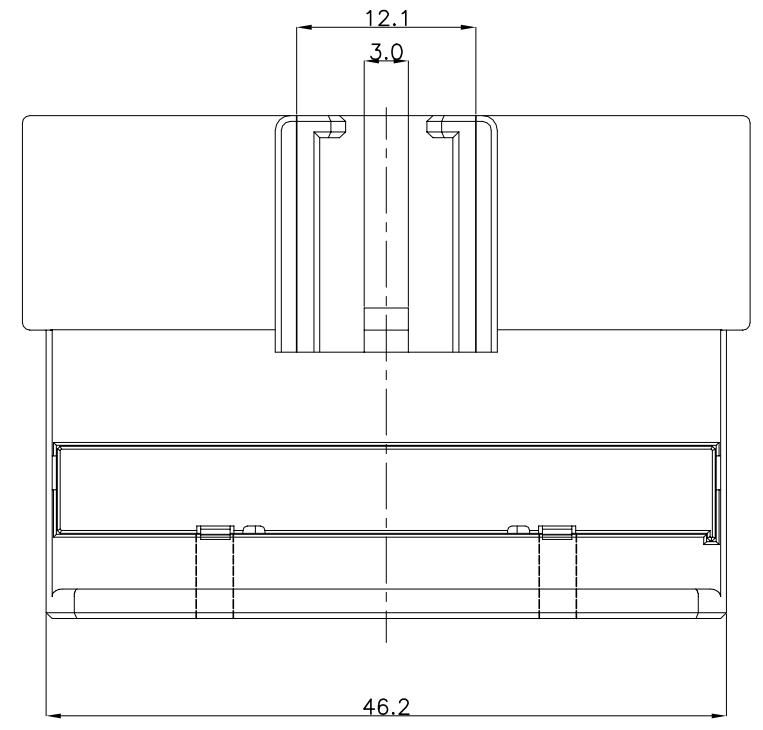
© COPYRIGHT BY TYCO ELECTRONICS CORPORATION. ALL RIGHTS RESERVED.

LOC	DIST	REVISIONS					
		P	LTR	DESCRIPTION	DATE	DWN	APVD
DS	-		C1	REVISED (ECR-16-006690)	09.MAY.'16	SJ	JW
			C2	REVISED (ECR-21-001473)	04.FEB.'21	CI	YJ



- NOTES.
- THE MATING HSG. P/N ; 936151
 - APPLIED CONTACT P/N ; 090 II TAB.- 368086,368087,368088,1897752

- 추가 -
- 상대 하우징 P/N. ; 936151
 - 적용단자 P/N. ; 090 II TAB.- 368086,368087,368088,1897752



SECTION A-A

NO.	TYPE	DIMENSION
		'A'
1	TYPE A	0.4
2	TYPE B	0.7

THIS DRAWING IS A CONTROLLED DOCUMENT FOR TYCO ELECTRONICS CORPORATION IT IS SUBJECT TO CHANGE AND THE CONTROLLING ENGINEERING ORGANIZATION SHOULD BE CONTACTED FOR THE LATEST REVISION.

DIMENSIONS: MM	TOLERANCES UNLESS OTHERWISE SPECIFIED: 0 <XX<10 ± 0.2 10<XX<30 ± 0.25 30<XX ± 0.3 ANGLES ± 3°
MATERIAL	FINISH
SEE TABLE	

NO	COLOR	MATERIAL	DESCRIPTION	P/N	QTY
1	D/GRAY	PBT	CAP	1-936155-3	1
	BLUE	PBT	CAP	0-936155-8	1
	GREEN	PBT	CAP	1-936155-7	1
	RED	PBT	CAP	0-936155-6	1
	YELLOW	PBT	CAP	0-936155-5	1
	BROWN	PBT	CAP	0-936155-4	1
	L/GRAY	PBT	CAP	0-936155-3	1
	BLACK	PBT	CAP	0-936155-2	1
2	NATURAL	PBT	DBL	0-936153-1	1

DWN SJ CHOI
CHK JW JUNG
APVD HG CHO
PRODUCT SPEC -
APPLICATION SPEC -
WEIGHT -

STE TE Connectivity

NAME: 090III 22P CAP ASS'Y

SIZE: A3 CAGE CODE: 00779 DRAWING NO: C-936154 RESTRICTED TO: -

CUSTOMER DRAWING SCALE: 2/1 SHEET: 1 OF 1 REV: C2