

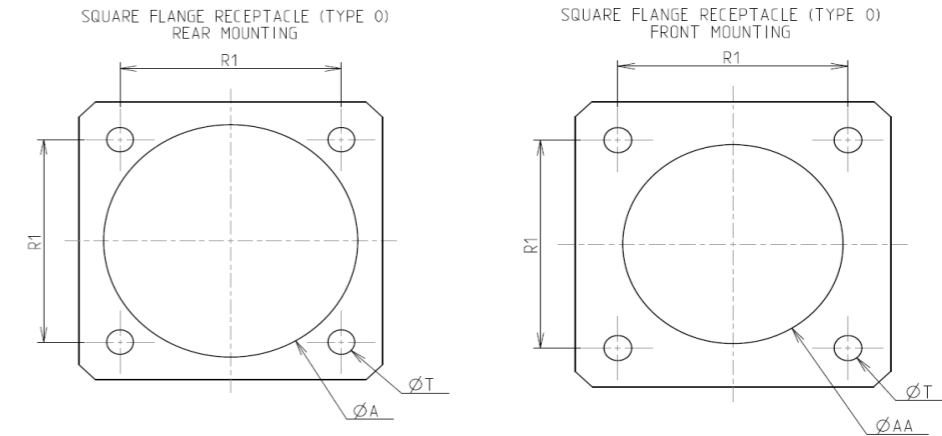
Contact Layout



| Contacts (Insert arrangement 17-26) | | | | | |
|--|------------------|-------------|---------------------|------------------|-------------|
| Contact position ID | Contact location | | Contact position ID | Contact location | |
| | X-axis (mm) | Y-axis (mm) | | X-axis (mm) | Y-axis (mm) |
| A | +000 (0.00) | +321 (8.15) | P | -239 (6.07) | +214 (5.44) |
| B | +131 (3.33) | +293 (7.44) | R | -131 (3.33) | +293 (7.44) |
| C | +239 (6.07) | +214 (5.44) | S | -070 (1.78) | +177 (4.50) |
| D | +305 (7.75) | +099 (2.51) | T | +070 (1.78) | +177 (4.50) |
| E | +319 (8.10) | -034 (0.86) | U | +175 (4.45) | +094 (2.39) |
| F | +278 (7.06) | -161 (4.09) | V | +178 (4.52) | -036 (0.91) |
| G | +189 (4.80) | -260 (6.60) | W | +119 (3.02) | -151 (3.84) |
| H | +067 (1.70) | -314 (7.98) | X | +000 (0.00) | -203 (5.16) |
| J | -067 (1.70) | -314 (7.98) | Y | -119 (3.02) | -151 (3.84) |
| K | -189 (4.80) | -260 (6.60) | Z | -178 (4.52) | -036 (0.91) |
| L | -278 (7.06) | -161 (4.09) | a | -175 (4.45) | +094 (2.39) |
| M | -319 (8.10) | -034 (0.86) | b | +000 (0.00) | +065 (1.65) |
| N | -305 (7.75) | +099 (2.51) | c | +000 (0.00) | -065 (1.65) |

| Shell size | Arrangement no. | Number of contacts | Size contacts | Service rating | Contact position ID | Supersedes |
|------------|-----------------|--------------------|---------------|----------------|---------------------|------------|
| 17 | -26 | 26 | 20 | I | All | MS20053-26 |

Panel Cutout



Max. thickness panel for receptacle: Type 0: front mounting = 3.2 mm, rear mounting = 2.5 mm

| Dim | Nominal |
|-----|------------|
| ØA | 30.96 min |
| ØAA | 25.81 min |
| R1 | 26.97 |
| ØT | 3.25 ±0.13 |

SOURIAU shall not be liable for any non-conformity or damage due to a use of the Products which does not comply with the Specifications issued by either of the Parties or by a third party (professional recommendation, technical notice.)

| Country | Jurisdiction & Control List |
|---------|-----------------------------|
| FR | Not Listed |

PN: 8D017M26HE

| | | | |
|----------------|------------------------------------|----------------------------|---|
| B | 11-04-17 | Drawing Update | |
| ISS | DATE | Latest modification - by | MOD N° |
| Designed By: | | Date: | CUSTOMER DRAWING |
| TITLE | Composite Receptacle 8D series | | |
| SCALE | | General linear Tolerances: | NPRDS / PROJECT |
| NA | | ±-- | 859 |
| SOURIAU | WWW.SOURIAU.COM | | This document is the property of SOURIAU it must not be reproduced or communicated without permission |
| FORMAT | SOURIAU DRG N° 8D017M26HE-C | | SHEET 2/2 |