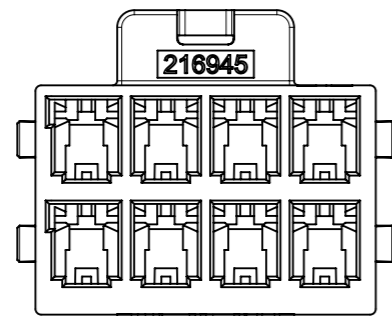
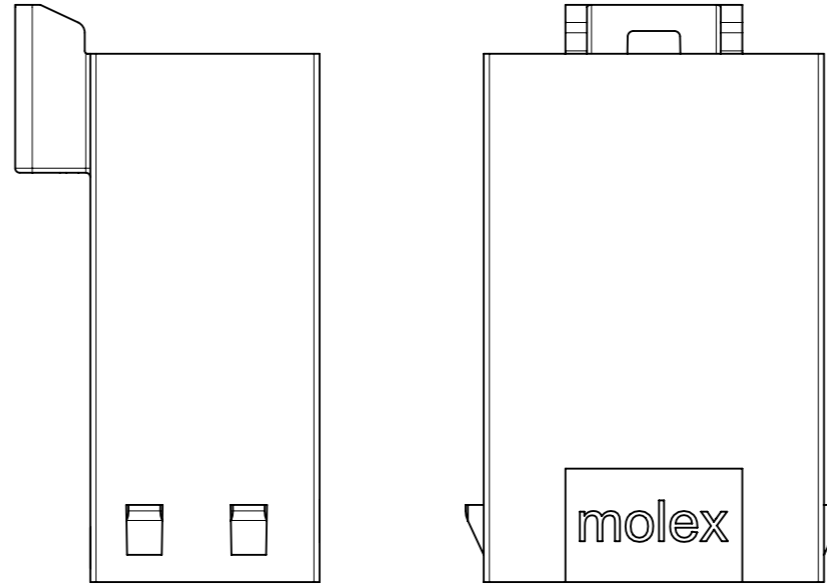
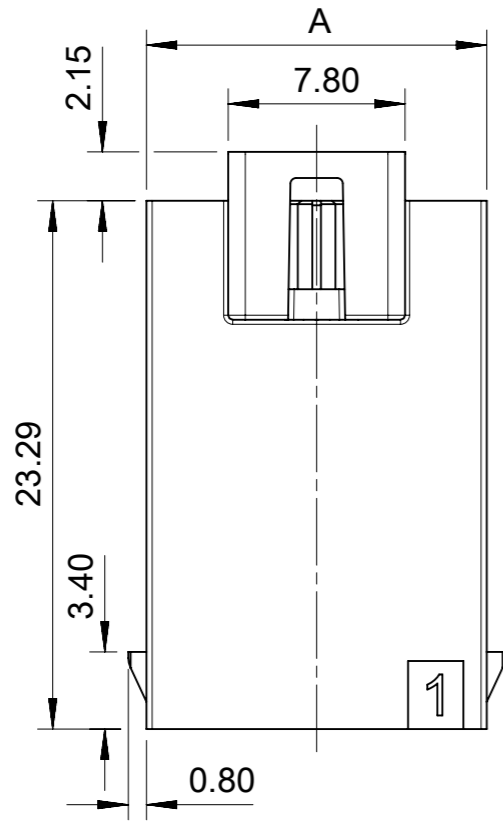


FREE HANGING PLUG PARTS

PART NUMBER	CIRCUIT SIZE	DIM 'A'	COLOR	TYPE
216945-3004	4	8.0	BLACK	FREE HANGING
216945-3006	6	11.5		
216945-3008	8	15.0		
216945-3010	10	18.5		
216945-3012	12	22.0		
216945-3014	14	25.5		
216945-3016	16	29.0	NATURAL	
216945-4004	4	8.0		
216945-4006	6	11.5		
216945-4008	8	15.0		
216945-4010	10	18.5		
216945-4012	12	22.0		
216945-4014	14	25.5		
216945-4016	16	29.0		

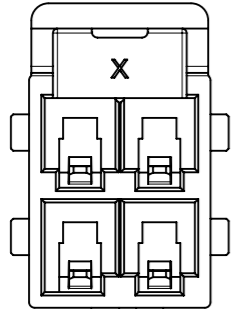


COLOR FEATURE	
BLACK	NATURAL
<p>KEY A FOR BLACK COLOR PARTS</p>	<p>KEY B FOR NATURAL COLOR PARTS</p>

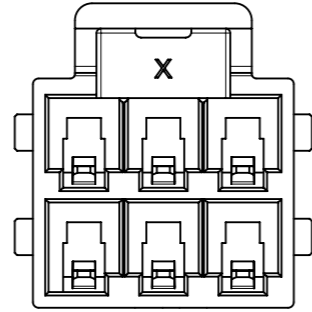
- NOTES:
1. MATERIAL: PA66, 94V-0, BLACK AND NATURAL.
 2. PRODUCT SPECIFICATION: 2169461000-PS.
 3. PACKAGE SPECIFICATION: 2169451000-PK.
 4. TO USE WITH TERMINAL OF 216946-****.
 5. TO USE WITH TPA OF 172264-****.
 6. TO MATE WITH RECEPTACLE OF 172258-****.
 7. PARTS CONFORM TO CLASS 'B' REQUIREMENTS OF COSMETIC SPECIFICATION PS-45499-002.

THIS DRAWING CONTAINS INFORMATION THAT IS PROPRIETARY TO MOLEX ELECTRONIC TECHNOLOGIES, LLC AND SHOULD NOT BE USED WITHOUT WRITTEN PERMISSION									
DIMENSION UNITS		SCALE		CURRENT REV DESC:					
mm		NTS		<p style="text-align: center;">molex</p> <p>PLUG HOUSING OF ULTRA-FIT WTW DR POWER CONNECTOR</p> <p>PRODUCT CUSTOMER DRAWING</p> <p>DOCUMENT NUMBER: 2169451000-SD DOC TYPE: PSD DOC PART: 000 REVISION: A</p>					
GENERAL TOLERANCES (UNLESS SPECIFIED)									
ANGULAR TOL ± °									
4 PLACES ±		EC NO: 726545							
3 PLACES ±		DRWN: LEOW 2022/10/31							
2 PLACES ± 0.2		CHK'D: EDUGGER 2022/11/01							
1 PLACE ±		APPR: EDUGGER 2022/11/01							
0 PLACES ±		INITIAL REVISION:							
DRAFT WHERE APPLICABLE MUST REMAIN WITHIN DIMENSIONS		THIRD ANGLE PROJECTION		DRAWING		SERIES		MATERIAL NUMBER	
				A3-SIZE		216945		SEE TABLE	
				CUSTOMER		GENERAL MARKET		SHEET NUMBER	
								1 OF 6	

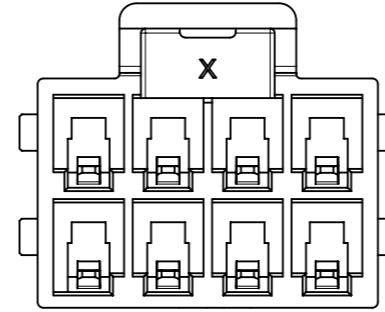
FREE HANGING PLUG PARTS



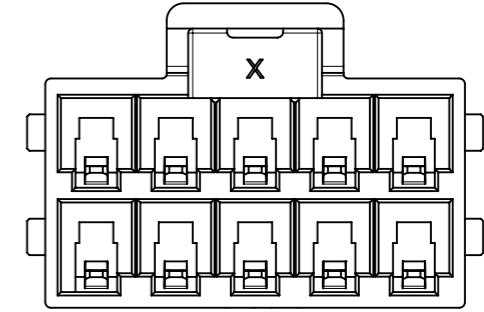
4CKT



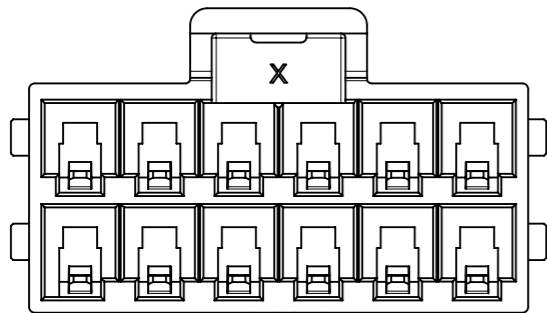
6CKT



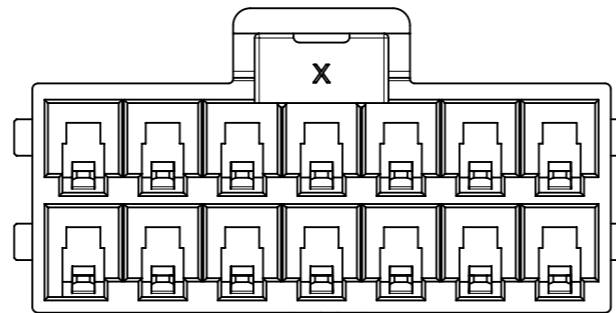
8CKT



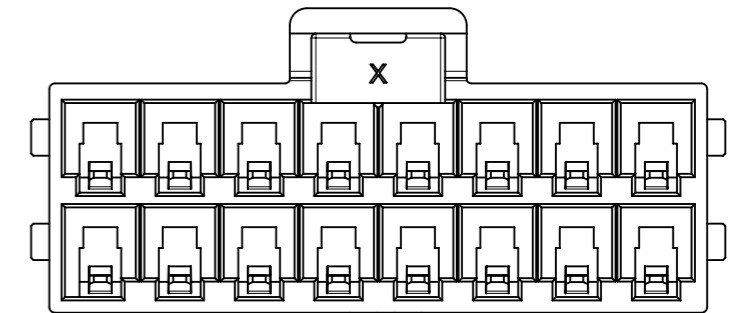
10CKT



12CKT



14CKT

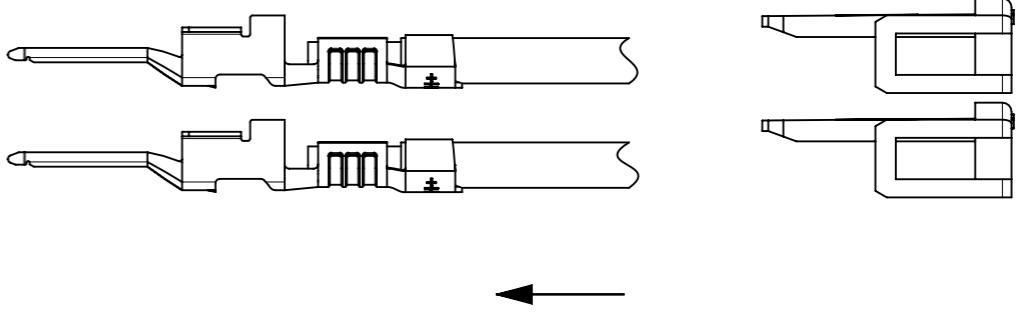
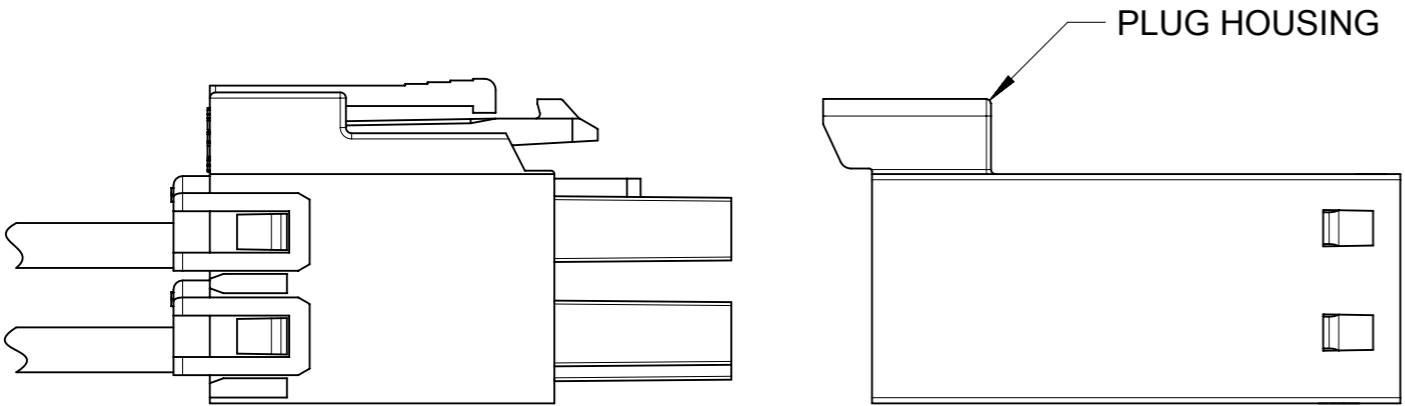
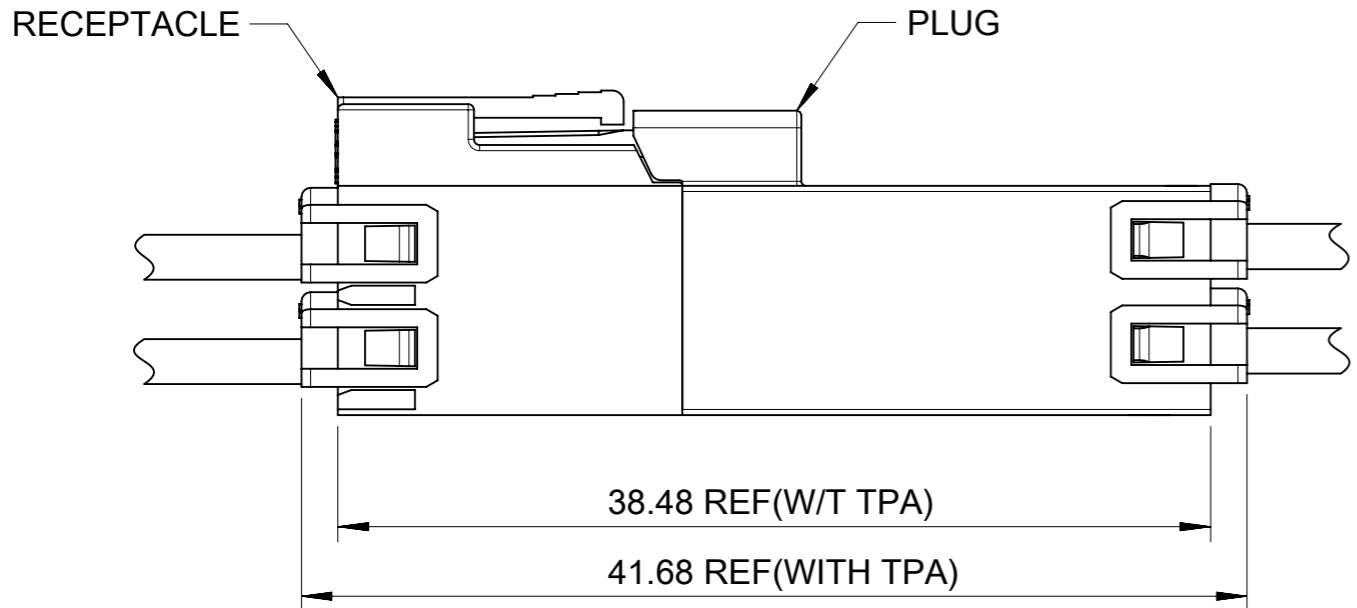


16CKT

THIS DRAWING CONTAINS INFORMATION THAT IS PROPRIETARY TO MOLEX ELECTRONIC TECHNOLOGIES, LLC AND SHOULD NOT BE USED WITHOUT WRITTEN PERMISSION										
DIMENSION UNITS	SCALE	CURRENT REV DESC:				molex				
mm	NTS									
GENERAL TOLERANCES (UNLESS SPECIFIED)		EC NO: 726545				PLUG HOUSING OF ULTRA-FIT WTW DR POWER CONNECTOR				
ANGULAR TOL ± °		DRWN: LEOW 2022/10/31				PRODUCT CUSTOMER DRAWING				
4 PLACES ±		CHK'D: EDUGGER 2022/11/01				DOCUMENT NUMBER				
3 PLACES ±		APPR: EDUGGER 2022/11/01				2169451000-SD				
2 PLACES ± 0.2		INITIAL REVISION:				DOC TYPE		DOC PART		REVISION
1 PLACE ±		DRWN: GLLI 2021/07/06				PSD		000		A
0 PLACES ±		APPR: EDUGGER 2022/11/01				MATERIAL NUMBER		CUSTOMER		SHEET NUMBER
DRAFT WHERE APPLICABLE MUST REMAIN WITHIN DIMENSIONS		THIRD ANGLE PROJECTION		DRAWING	SERIES	MATERIAL NUMBER	CUSTOMER		SHEET NUMBER	
				A3-SIZE	216945	SEE TABLE	GENERAL MARKET		2 OF 6	

DOCUMENT STATUS	P1	RELEASE DATE	2022/11/01	13:33:31
-----------------	----	--------------	------------	----------

FREE HANGING PLUG PARTS

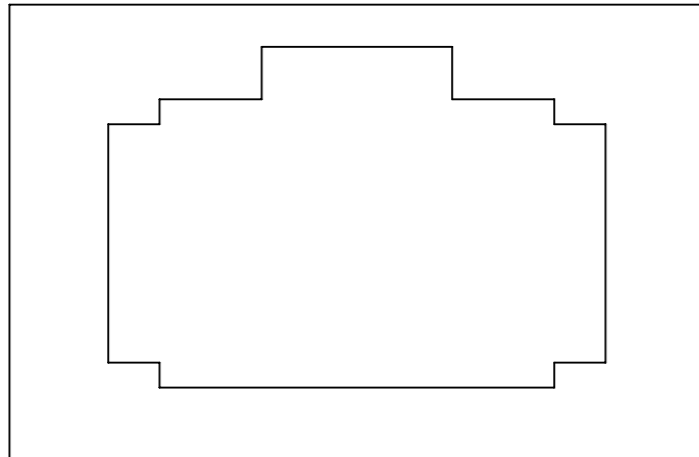
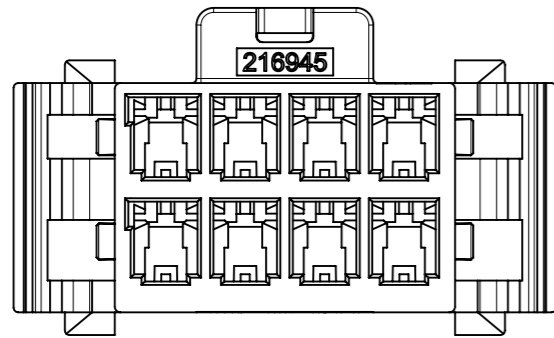
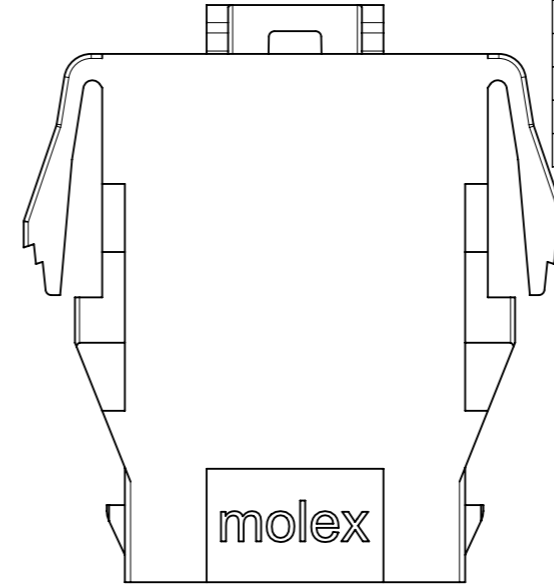
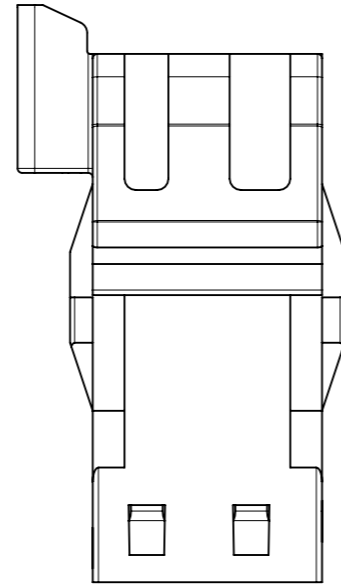
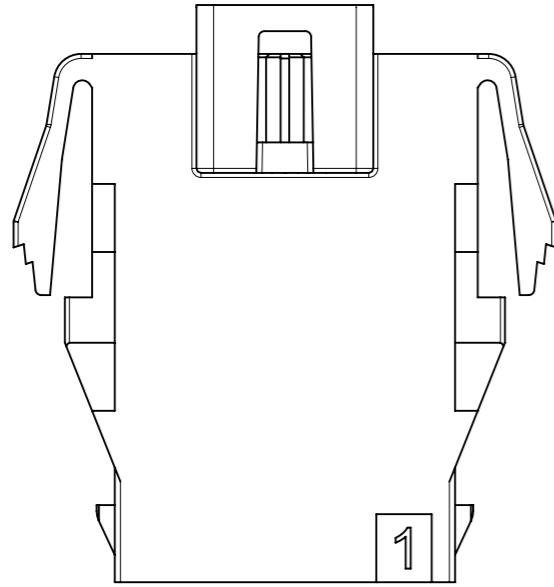


← PLUG TERMINAL AND TPA ORIENTATION

THIS DRAWING CONTAINS INFORMATION THAT IS PROPRIETARY TO MOLEX ELECTRONIC TECHNOLOGIES, LLC AND SHOULD NOT BE USED WITHOUT WRITTEN PERMISSION													
DIMENSION UNITS		SCALE		CURRENT REV DESC:				molex					
mm		NTS											
GENERAL TOLERANCES (UNLESS SPECIFIED)				EC NO: 726545 DRWN: LEOW 2022/10/31 CHK'D: EDUGGER 2022/11/01 APPR: EDUGGER 2022/11/01 INITIAL REVISION: DRWN: GLLI 2021/07/06 APPR: EDUGGER 2022/11/01				PLUG HOUSING OF ULTRA-FIT WTW DR POWER CONNECTOR					
ANGULAR TOL ± °								PRODUCT CUSTOMER DRAWING					
4 PLACES ±								DOCUMENT NUMBER		DOC TYPE		DOC PART	
3 PLACES ±								2169451000-SD		PSD		000	
2 PLACES ± 0.2								REVISION				A	
1 PLACE ±								MATERIAL NUMBER		CUSTOMER		SHEET NUMBER	
0 PLACES ±				A3-SIZE		216945		3 OF 6					
DRAFT WHERE APPLICABLE MUST REMAIN WITHIN DIMENSIONS				THIRD ANGLE PROJECTION		DRAWING		SERIES					
						A3-SIZE		216945					

PANEL MOUNT PLUG PARTS

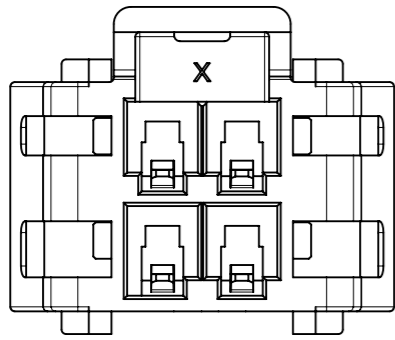
PART NUMBER	CIRCUIT SIZE	DIM 'A'	DIM 'B'	COLOR	TYPE
216945-3104	4	8.0	16.92	BLACK	PANEL MOUNT
216945-3106	6	11.5	20.42		
216945-3108	8	15.0	23.92		
216945-3110	10	18.5	27.42		
216945-3112	12	22.0	30.92		
216945-3114	14	25.5	34.42		
216945-3116	16	29.0	37.92		
216945-4104	4	8.0	16.92	NATURAL	
216945-4106	6	11.5	20.42		
216945-4108	8	15.0	23.92		
216945-4110	10	18.5	27.42		
216945-4112	12	22.0	30.92		
216945-4114	14	25.5	34.42		
216945-4116	16	29.0	37.92		



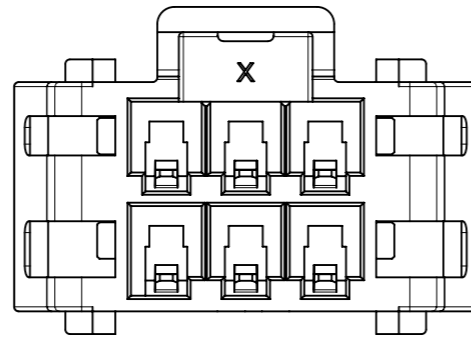
COLOR FEATURE	
BLACK	NATURAL
<p>KEY A FOR BLACK COLOR PARTS</p>	<p>KEY B FOR NATURAL COLOR PARTS</p>

THIS DRAWING CONTAINS INFORMATION THAT IS PROPRIETARY TO MOLEX ELECTRONIC TECHNOLOGIES, LLC AND SHOULD NOT BE USED WITHOUT WRITTEN PERMISSION									
DIMENSION UNITS	SCALE	CURRENT REV DESC:							
mm	NTS	<p>PLUG HOUSING OF ULTRA-FIT WTW DR POWER CONNECTOR</p> <p>PRODUCT CUSTOMER DRAWING</p>							
GENERAL TOLERANCES (UNLESS SPECIFIED)									
ANGULAR TOL	± °								
4 PLACES	±								
3 PLACES	±								
2 PLACES	± 0.2								
1 PLACE	±	EC NO: 726545	2022/10/31		DOCUMENT NUMBER				
0 PLACES	±	DRWN: LEOW	2022/11/01		2169451000-SD		DOC TYPE	DOC PART	REVISION
DRAFT WHERE APPLICABLE MUST REMAIN WITHIN DIMENSIONS		THIRD ANGLE PROJECTION	DRAWING	SERIES	MATERIAL NUMBER	CUSTOMER	SHEET NUMBER		
			A3-SIZE	216945	SEE TABLE	GENERAL MARKET	4 OF 6		

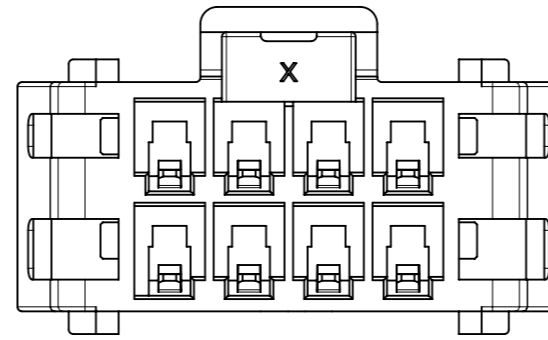
PANEL MOUNT PLUG PARTS



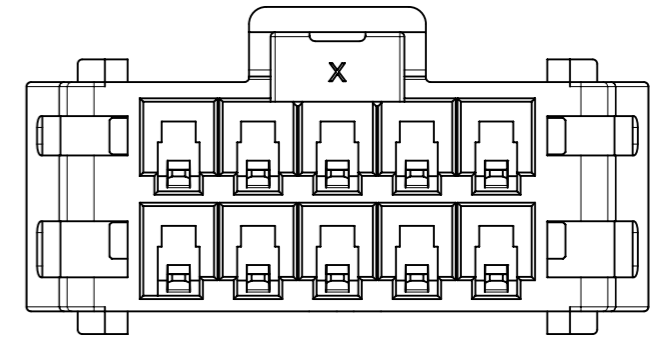
4 CKT



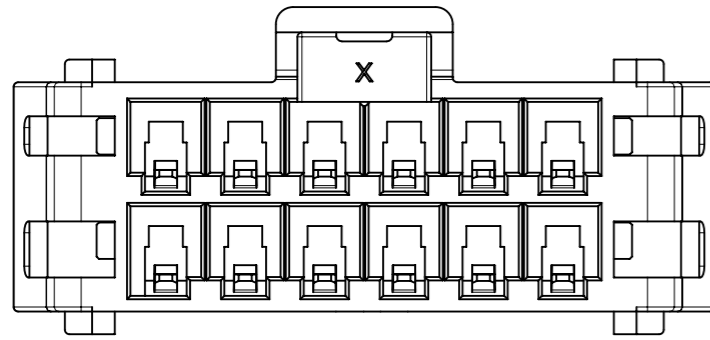
6 CKT



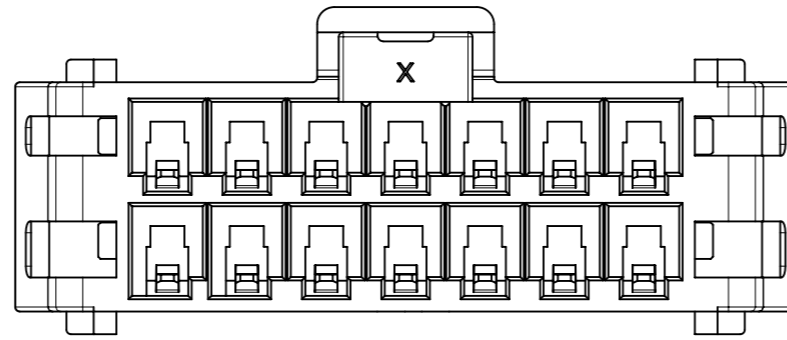
8 CKT



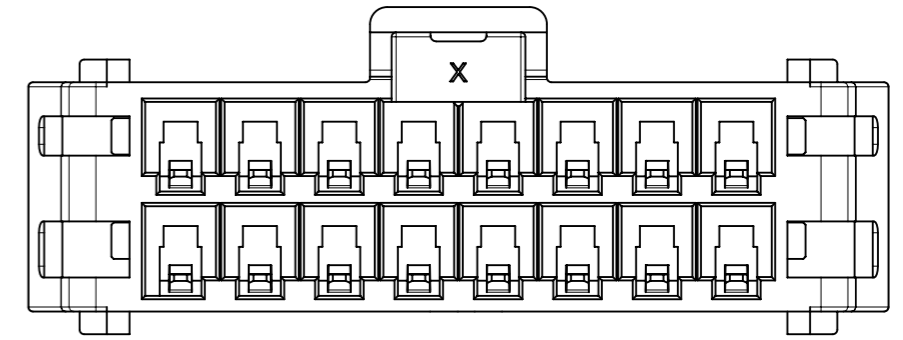
10 CKT




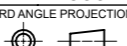
12 CKT



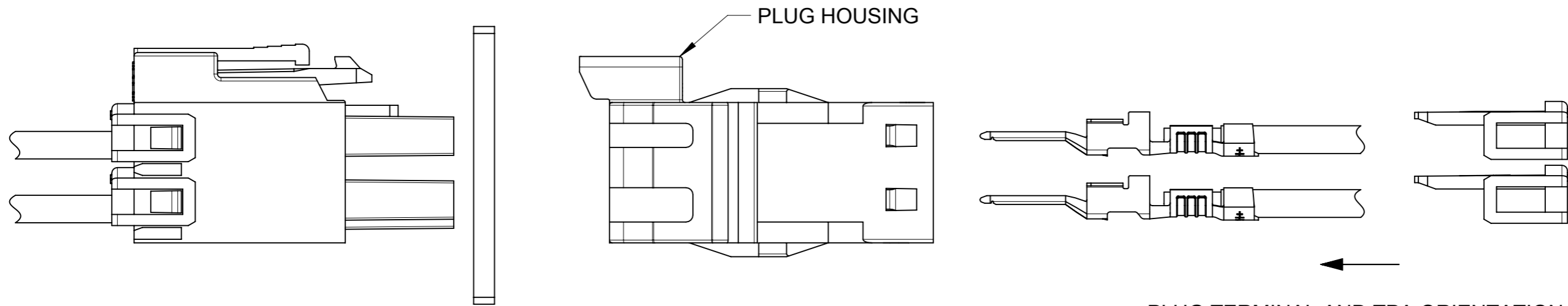
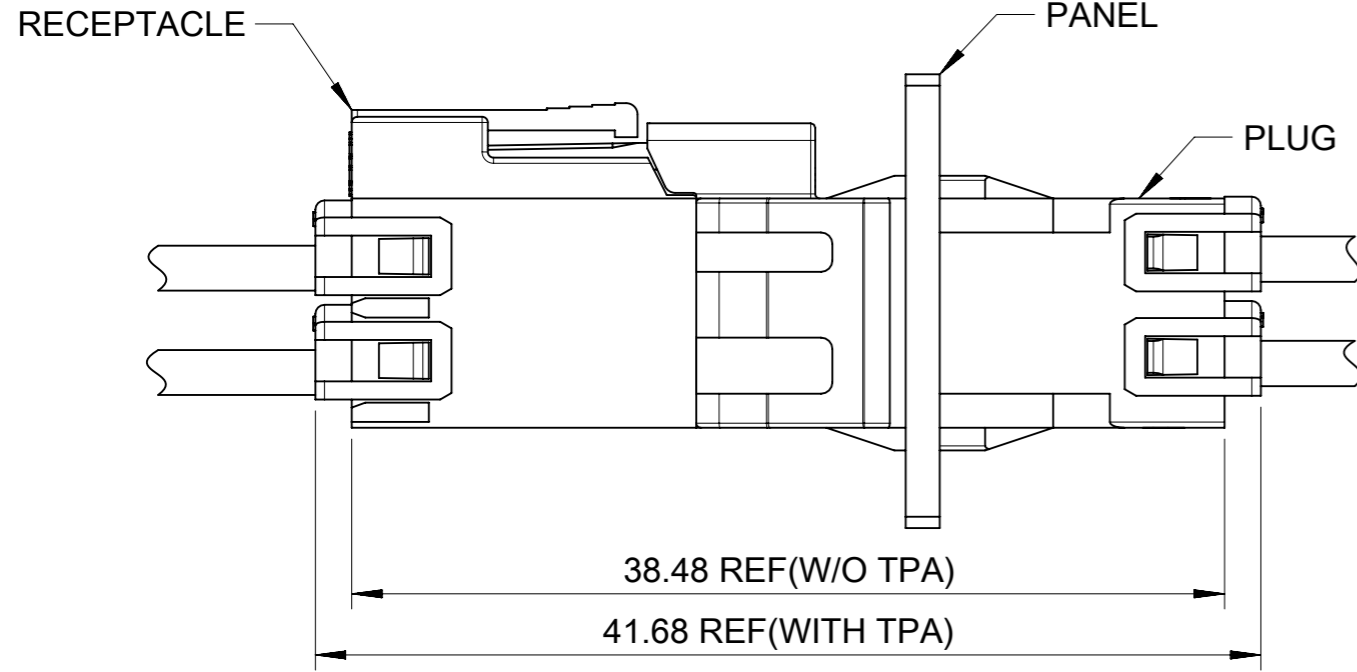
14 CKT



16 CKT

THIS DRAWING CONTAINS INFORMATION THAT IS PROPRIETARY TO MOLEX ELECTRONIC TECHNOLOGIES, LLC AND SHOULD NOT BE USED WITHOUT WRITTEN PERMISSION									
DIMENSION UNITS	SCALE	CURRENT REV DESC:							
mm	NTS								
GENERAL TOLERANCES (UNLESS SPECIFIED)		EC NO: 726545			PLUG HOUSING OF ULTRA-FIT WTW DR POWER CONNECTOR				
ANGULAR TOL ± °		DRWN: LEOW 2022/10/31							
4 PLACES ±		CHK'D: EDUGGER 2022/11/01			PRODUCT CUSTOMER DRAWING				
3 PLACES ±		APPR: EDUGGER 2022/11/01							
2 PLACES ± 0.2		INITIAL REVISION:			DOCUMENT NUMBER: 2169451000-SD DOC TYPE: PSD DOC PART: 000 REVISION: A				
1 PLACE ±		DRWN: GLLI 2021/07/06							
0 PLACES ±		APPR: EDUGGER 2022/11/01			MATERIAL NUMBER: SEE TABLE CUSTOMER: GENERAL MARKET SHEET NUMBER: 5 OF 6				
DRAFT WHERE APPLICABLE MUST REMAIN WITHIN DIMENSIONS		THIRD ANGLE PROJECTION	DRAWING	SERIES					
			A3-SIZE	216945					

PANEL MOUNT PLUG PARTS



THIS DRAWING CONTAINS INFORMATION THAT IS PROPRIETARY TO MOLEX ELECTRONIC TECHNOLOGIES, LLC AND SHOULD NOT BE USED WITHOUT WRITTEN PERMISSION													
DIMENSION UNITS		SCALE		CURRENT REV DESC:				molex					
mm		NTS											
GENERAL TOLERANCES (UNLESS SPECIFIED)				EC NO: 726545 DRWN: LEOW 2022/10/31 CHK'D: EDUGGER 2022/11/01 APPR: EDUGGER 2022/11/01 INITIAL REVISION: DRWN: GLLI 2021/07/06 APPR: EDUGGER 2022/11/01				PLUG HOUSING OF ULTRA-FIT WTW DR POWER CONNECTOR					
ANGULAR TOL ± °								PRODUCT CUSTOMER DRAWING					
4 PLACES ±								DOCUMENT NUMBER		DOC TYPE		DOC PART	
3 PLACES ±								2169451000-SD		PSD		000	
2 PLACES ± 0.2								SERIES		CUSTOMER		REVISION	
1 PLACE ±								A3-SIZE		GENERAL MARKET		A	
0 PLACES ±				MATERIAL NUMBER		SHEET NUMBER							
DRAFT WHERE APPLICABLE MUST REMAIN WITHIN DIMENSIONS				THIRD ANGLE PROJECTION		DRAWING		SHEET NUMBER					
						A3-SIZE		6 OF 6					

DOCUMENT STATUS	P1	RELEASE DATE	2022/11/01	13:33:31
-----------------	----	--------------	------------	----------