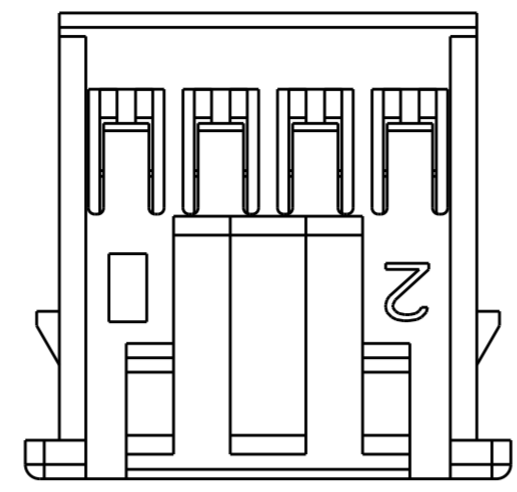
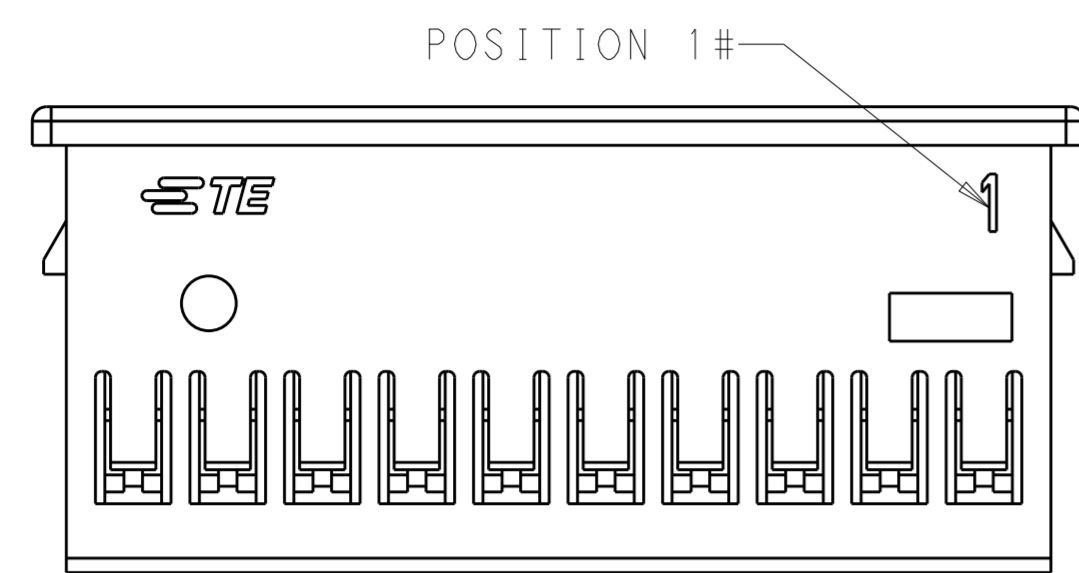
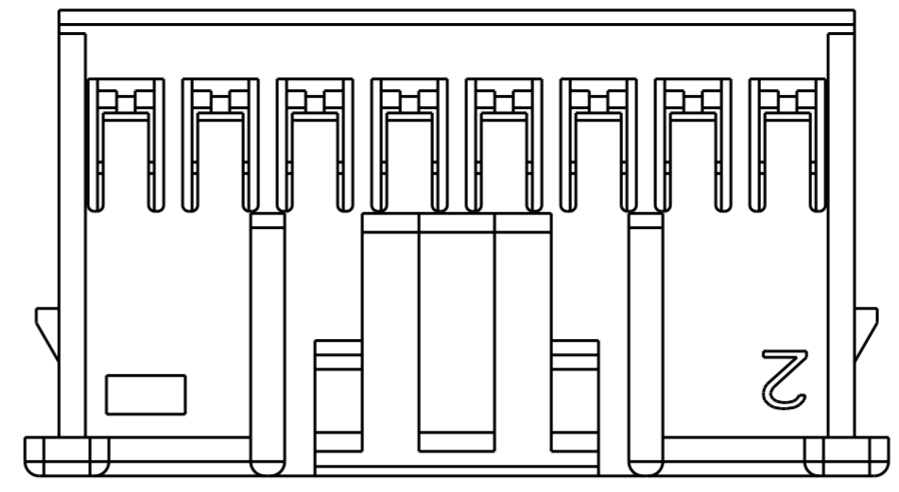


THIS DRAWING IS UNPUBLISHED. RELEASED FOR PUBLICATION 20
 © COPYRIGHT 20 BY - ALL RIGHTS RESERVED.

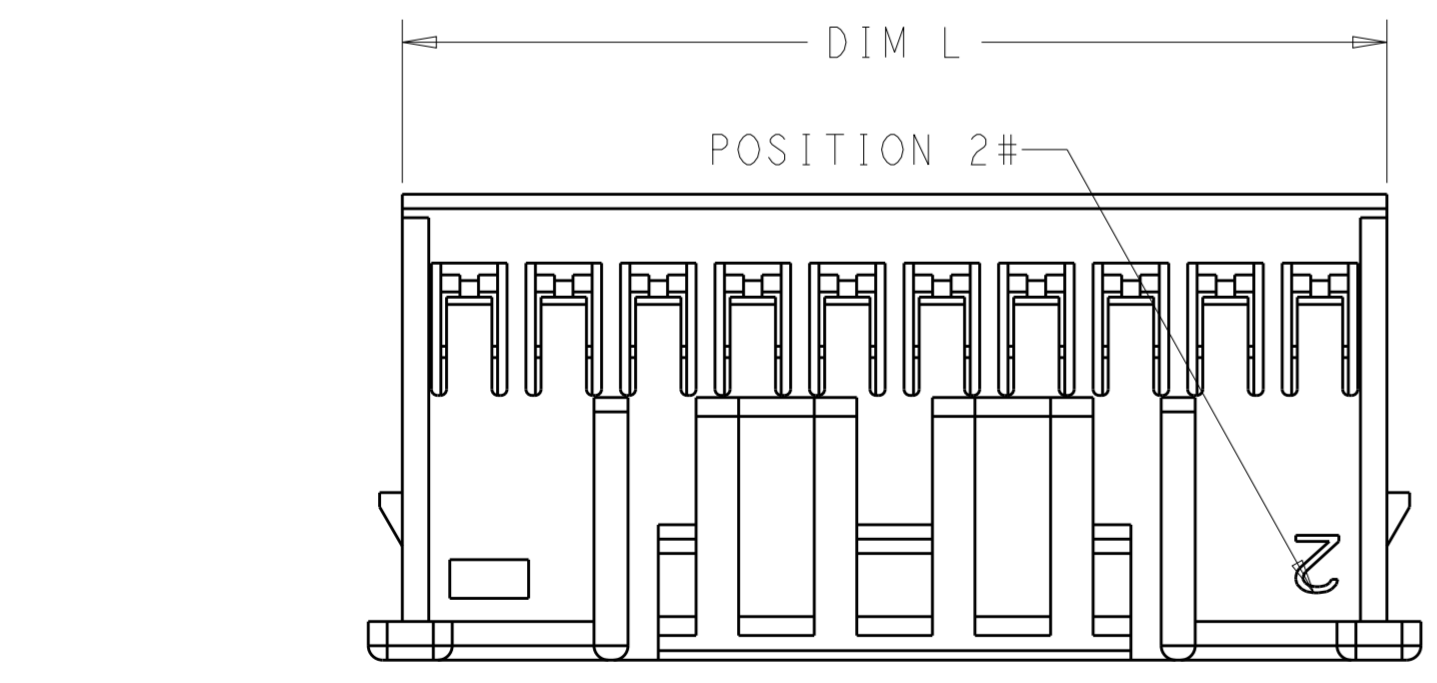
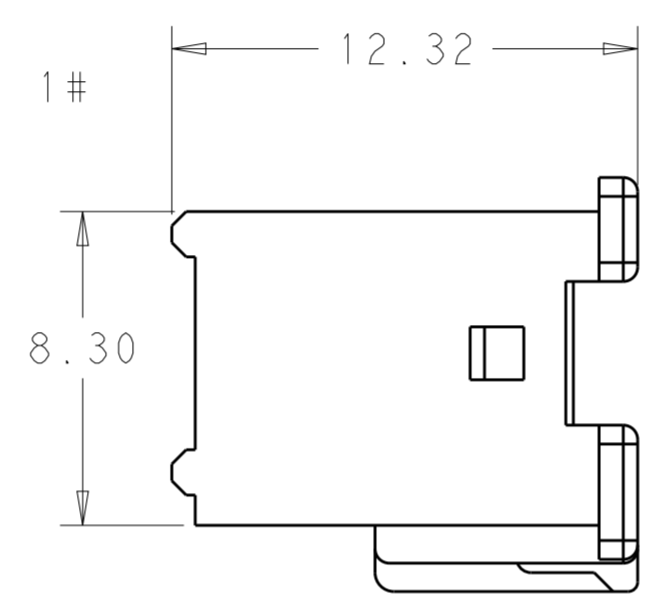
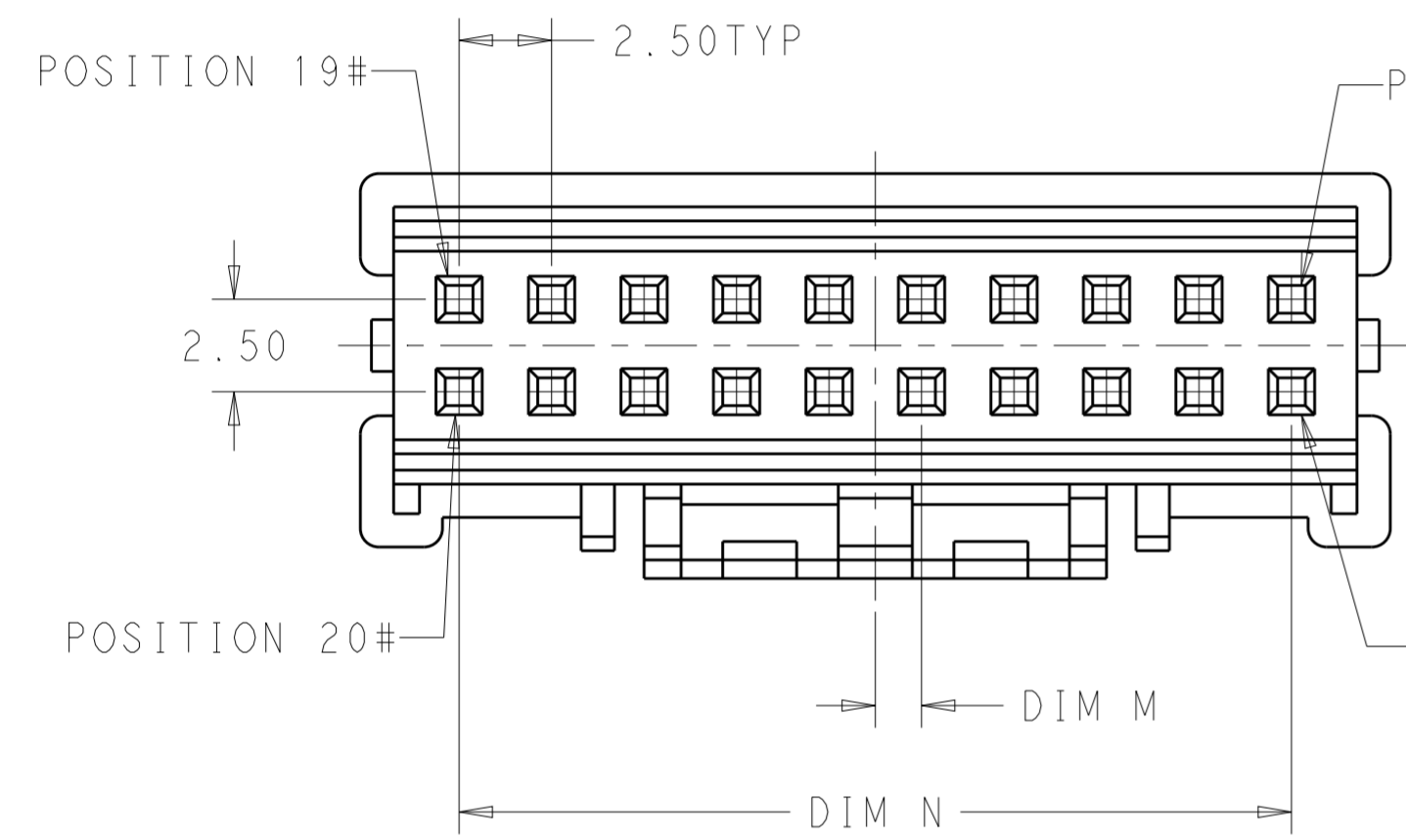
REVISIONS				
P	LTR	DESCRIPTION	DATE	APVD
A		FIRST RELEASED	16AUG2019	WH DZ



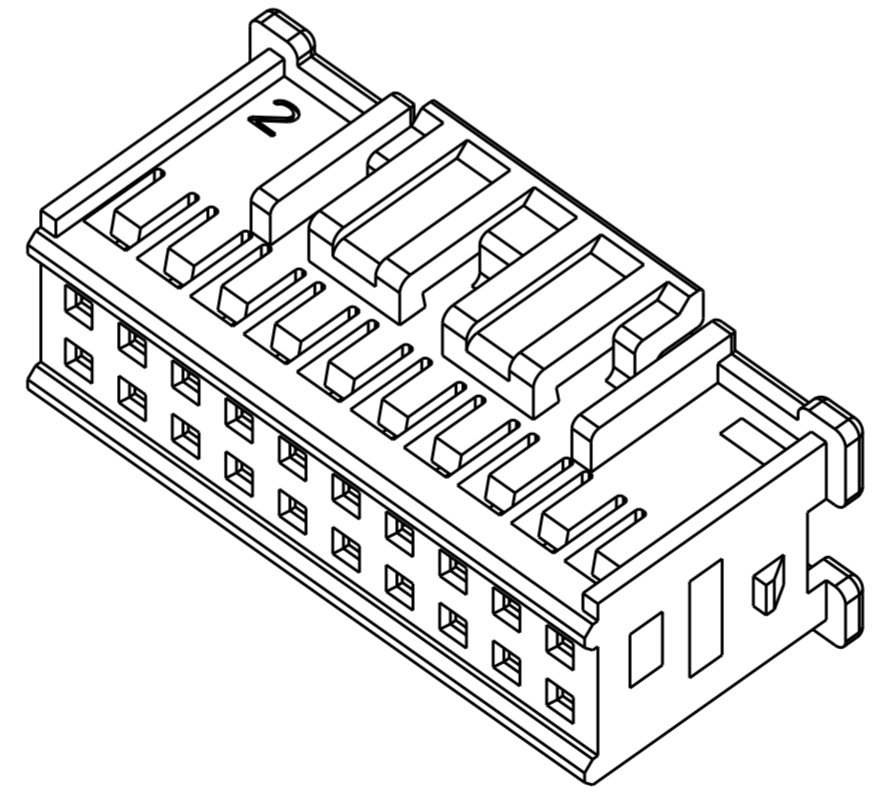
SINGLE LATCH DETAIL FOR
2324579-8 AND 1-2324579-0



SINGLE LATCH DETAIL FOR
1-2324579-2 THRU 1-2324579-6



DUAL LATCH DETAIL FOR
1-2324579-8 THRU 4-2324579-0



2-2324579-0 SHOWN

NOTES:

- 1. MATERIAL: NYLON 66, UL94V-0, COLOR:NATURAL.
- 2. DIMENSIONS SHOWN REPRESENT PRODUCT IN DRY, AS MOLDED, CONDITION. ADDITIONAL 2% GROWTH DUE TO SUBSEQUENT MOISTURE ABSORPTION MAY OCCUR AND SHOULD BE ACCOUNTED FOR
- 3. RECOMMENDED MATING PART: []-2324582-[] OR []-2324584-[]
- 4. THE HOUSING ACCEPTS TERMINAL: 2110989-1 OR 2232905-1
1744423-1 OR 2232983-1
- 5. ACCEPT OPTIONAL TPA: []-1969443-[] OR []-1969825-[]

1.25	47.50	51.04	40	4-2324579-0
0.00	45.00	48.54	38	3-2324579-8
1.25	42.50	46.04	36	3-2324579-6
0.00	40.00	43.54	34	3-2324579-4
1.25	37.50	41.04	32	3-2324579-2
0.00	35.00	38.54	30	3-2324579-0
1.25	32.50	36.04	28	2-2324579-8
0.00	30.00	33.54	26	2-2324579-6
1.25	27.50	31.04	24	2-2324579-4
0.00	25.00	28.54	22	2-2324579-2
1.25	22.50	26.04	20	2-2324579-0
0.00	20.00	23.54	18	1-2324579-8
1.25	17.50	21.04	16	1-2324579-6
0.00	15.00	18.54	14	1-2324579-4
1.25	12.50	16.04	12	1-2324579-2
0.00	10.00	13.54	10	1-2324579-0
1.25	7.50	11.04	8	2324579-8
DIM M	DIM N	DIM L	POSITION	PART NO.

THIS DRAWING IS A CONTROLLED DOCUMENT.

DIMENSIONS: mm 	TOLERANCES UNLESS OTHERWISE SPECIFIED: 0 PLC ± 1 PLC ± 2 PLC ±0.25 3 PLC ± 4 PLC ± ANGLES ±5° FINISH	DWN 26AUG2018 WARREN HUO	TE Connectivity
		CHK 27AUG2018 DANIEL ZHANG	
MATERIAL 	PRODUCT SPEC 108-106357 APPLICATION SPEC 114-13315	APVD 27AUG2018 DANIEL ZHANG	SIZE CAGE CODE DRAWING NO A200779 C-2324579
		CUSTOMER DRAWING	WEIGHT -

SCALE N/A SHEET 1 OF 1 REV A