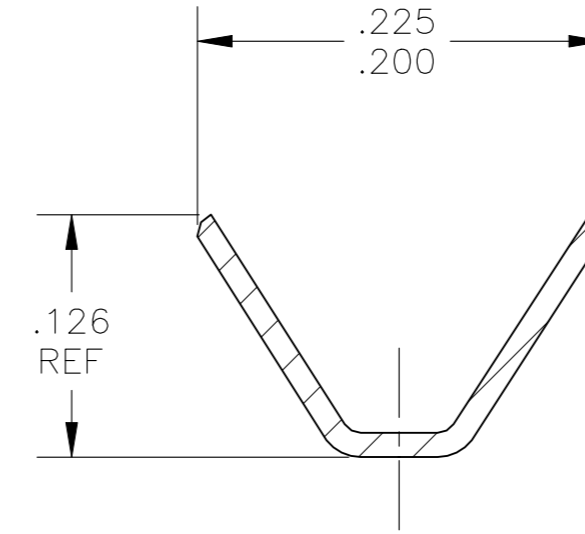
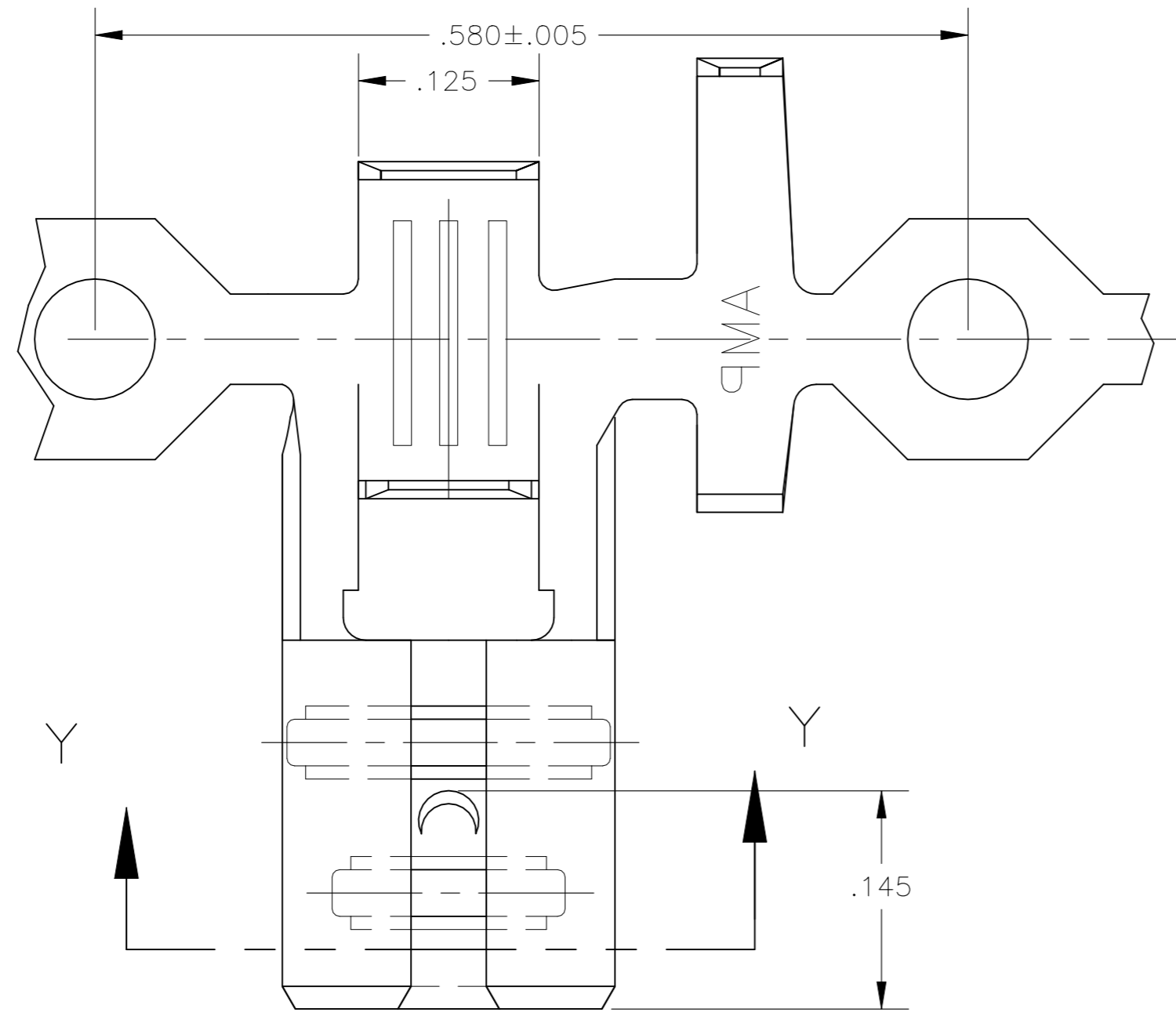
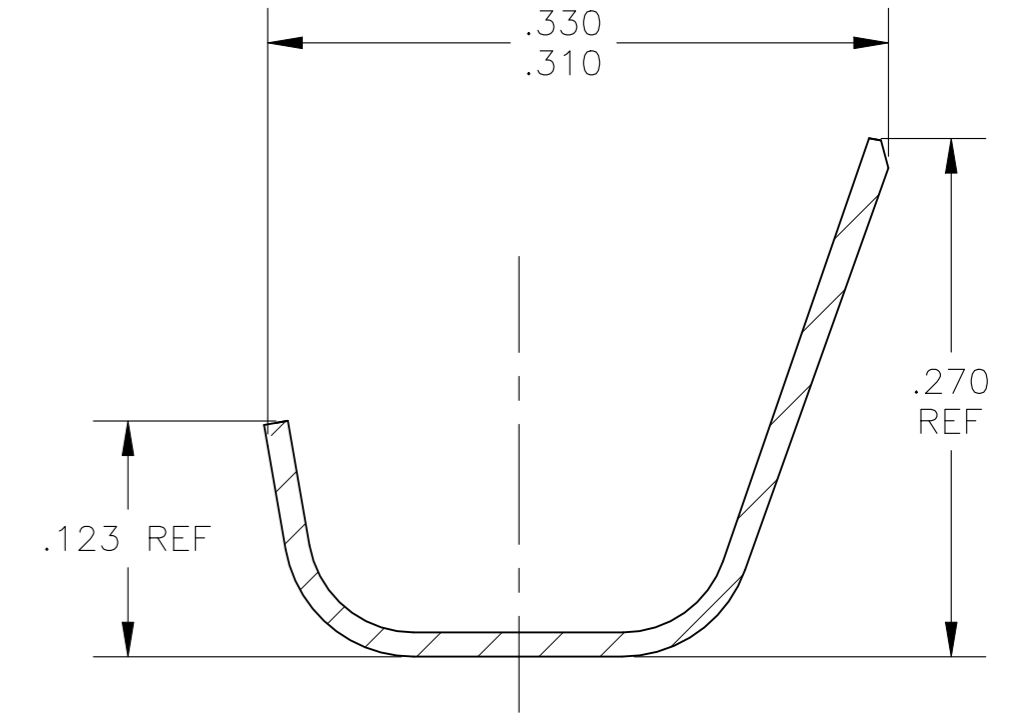


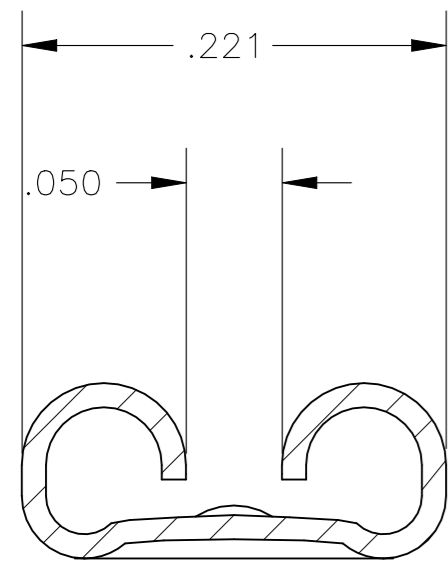
REVISIONS					
P	LTR	DESCRIPTION	DATE	DWN	APVD
H1		REVISED PER ECR-22-137168	13MAY2022	SS	ES



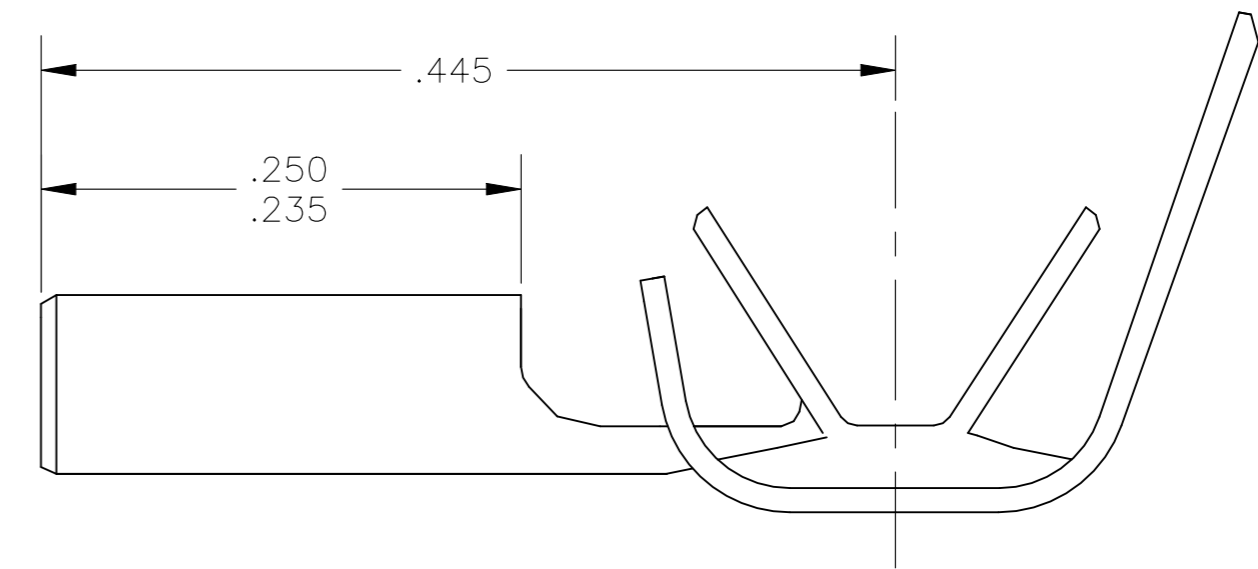
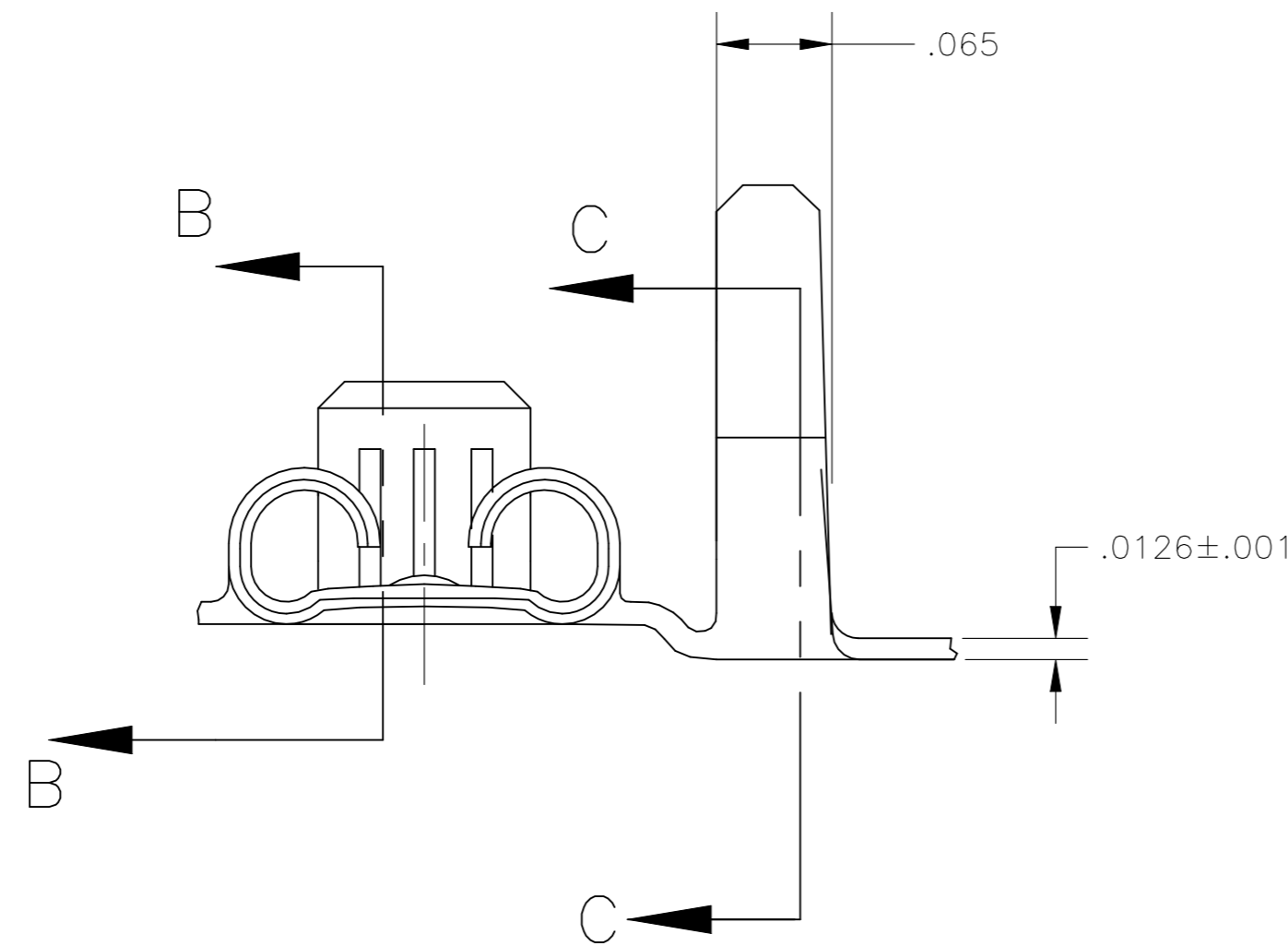
SECTION B-B



SECTION C-C



SECTION Y-Y



- 1 CONTINUOUS STRIP ON REELS
- 2 WIRE SIZE IS 18-14 OR TWO 18'S AWG
- 3 INSULATION RANGE IS .110-.150 DIA. OR TWO AT .110 MAX DIA.
- 4 MATING TAB THK IS .032±.001

TIN	1742089-2
PLAIN	1742089-1
FINISH	PART NO

THIS DRAWING IS A CONTROLLED DOCUMENT.		DWN	JR_RUTH	04mar04	 TE Connectivity	RECEPTACLE, FASTON, FLAG, .187 SERIES			
DIMENSIONS: INCHES		CHK	P_DESANTIS	04MAR04		NAME			
TOLERANCES UNLESS OTHERWISE SPECIFIED:		APVD	P_DESANTIS	04MAR04		PRODUCT SPEC			
0 PLC ± - 1 PLC ± - 2 PLC ± - 3 PLC ± .010 4 PLC ± - ANGLES ± 2°		APPLICATION SPEC		SIZE		CAGE CODE	DRAWING NO	RESTRICTED TO	
MATERIAL	BRASS	FINISH	-	WEIGHT	0.000000	A2 00779	C=1742089	-	
CUSTOMER DRAWING						SCALE	10:1	SHEET 1 OF 1	REV H1