

Park position - EV-T2AC-PARK - 1624148

Please be informed that the data shown in this PDF Document is generated from our Online Catalog. Please find the complete data in the user's documentation. Our General Terms of Use for Downloads are valid (<http://phoenixcontact.com/download>)



Retainer for Vehicle Connector as parking position at charging stations (EVSE), Type 2, IEC 62196-2, Front mounting

Product Description

Retainer for Vehicle Connector as parking position at charging stations for E-Mobility (EVSE)

Your advantages

- ✓ Certified in accordance with IATF 16949:2016 and ISO 9001:2015

Key Commercial Data

Packing unit	1 pc
GTIN	 4 055626 242828
GTIN	4055626242828

Technical data

Product definition

Product type	Retainer for Vehicle Connector as parking position at charging stations (EVSE)
Standards/regulations	IEC 62196-2
Charging standard	Type 2
Charging mode	Mode 3

Dimensions

Height	75 mm
Width	75 mm
Depth	44.7 mm
Bore dimensions	60 mm x 60 mm

Ambient conditions

Ambient temperature (operation)	-30 °C ... 50 °C
Ambient temperature (storage/transport)	-40 °C ... 80 °C

Park position - EV-T2AC-PARK - 1624148

Technical data

Ambient conditions

Degree of protection	IP54
----------------------	------

Mechanical properties

Vehicle Connector fixing	With locking clips for locking contour
Removal of the Vehicle Connector	Lifting and removal

Mounting

Possible mounting positions	Front mounting
Restrictions to mounting position	Only 0 to 45 degree frontal inclination possible, see figure
Mounting hole diameter	6.00 mm (ø)

Design

Housing color	black
Customer variations	On request

Material

Material	Plastic
Flammability rating	V0

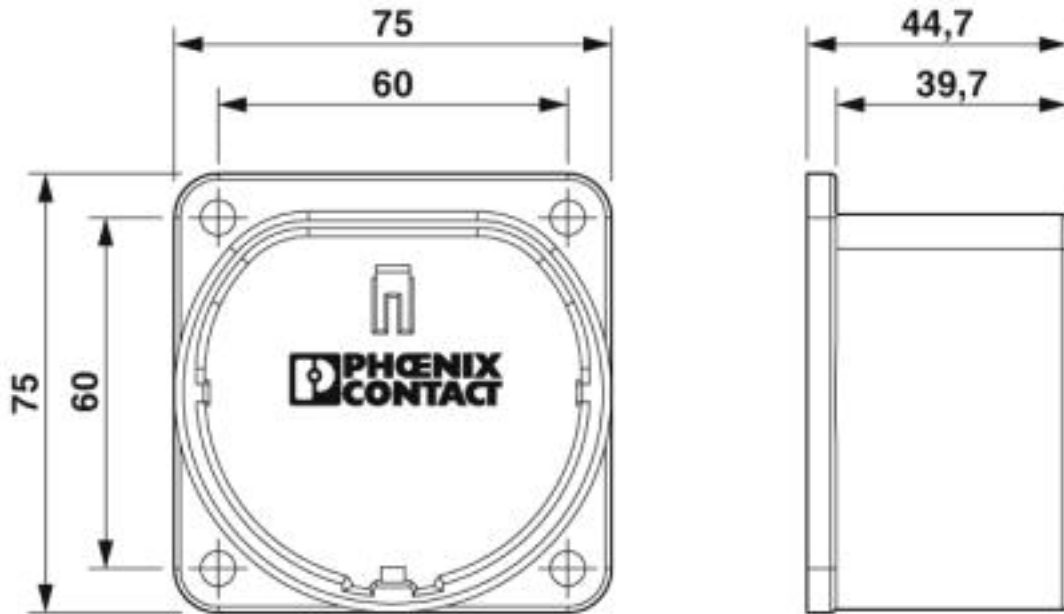
Environmental Product Compliance

REACH SVHC	Lead 7439-92-1
China RoHS	Environmentally friendly use period: unlimited = EFUP-e
	No hazardous substances above threshold values

Drawings

Park position - EV-T2AC-PARK - 1624148

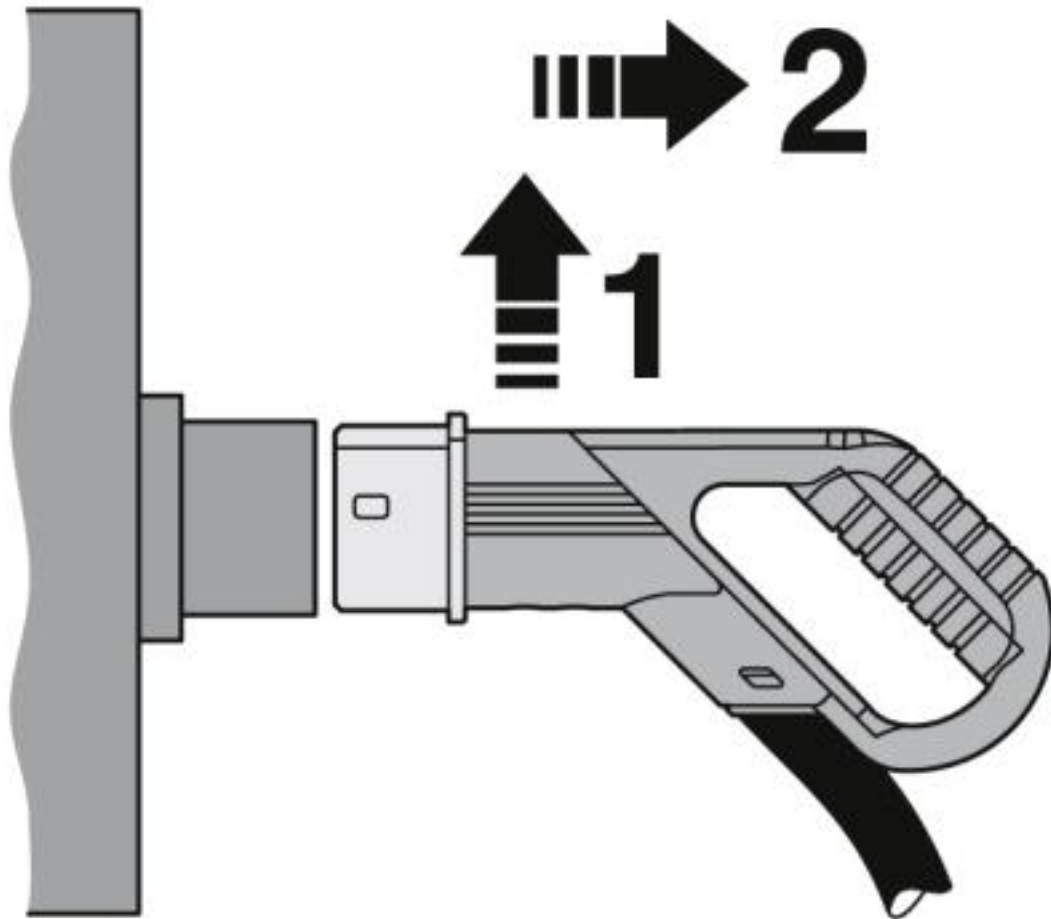
Dimensional drawing



Dimensional drawing

Park position - EV-T2AC-PARK - 1624148

Schematic diagram



The attached AC Vehicle Connector is raised in the holder, releasing it from the integrated locking clip, and it can then be removed.

Phoenix Contact 2019 © - all rights reserved
<http://www.phoenixcontact.com>

PHOENIX CONTACT GmbH & Co. KG
Flachmarktstr. 8
32825 Blomberg
Germany
Tel. +49 5235 300
Fax +49 5235 3 41200
<http://www.phoenixcontact.com>