

10 9 8 7 6 5 4 3 2 1

F

E

D

C

B

A

F

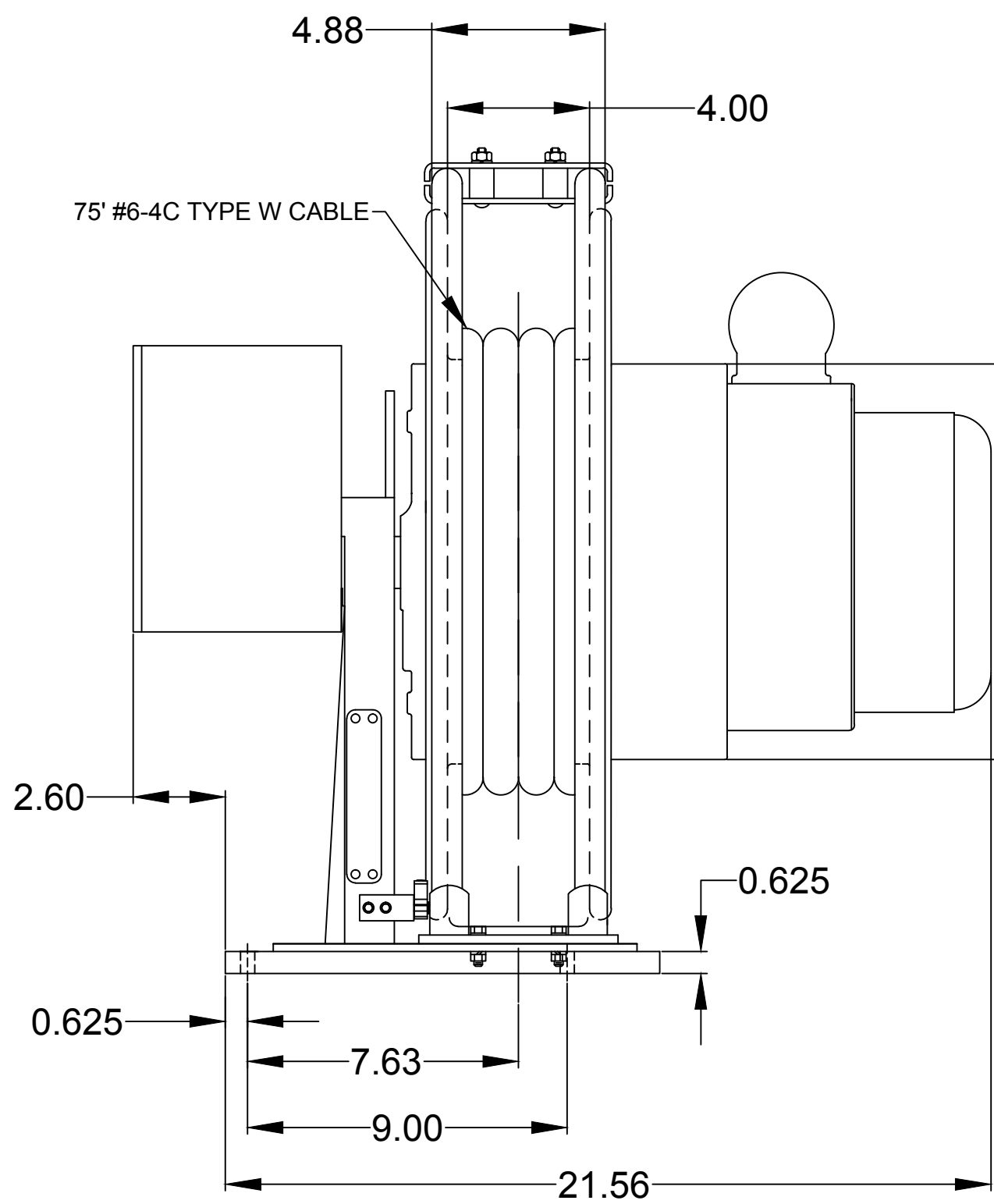
E

D

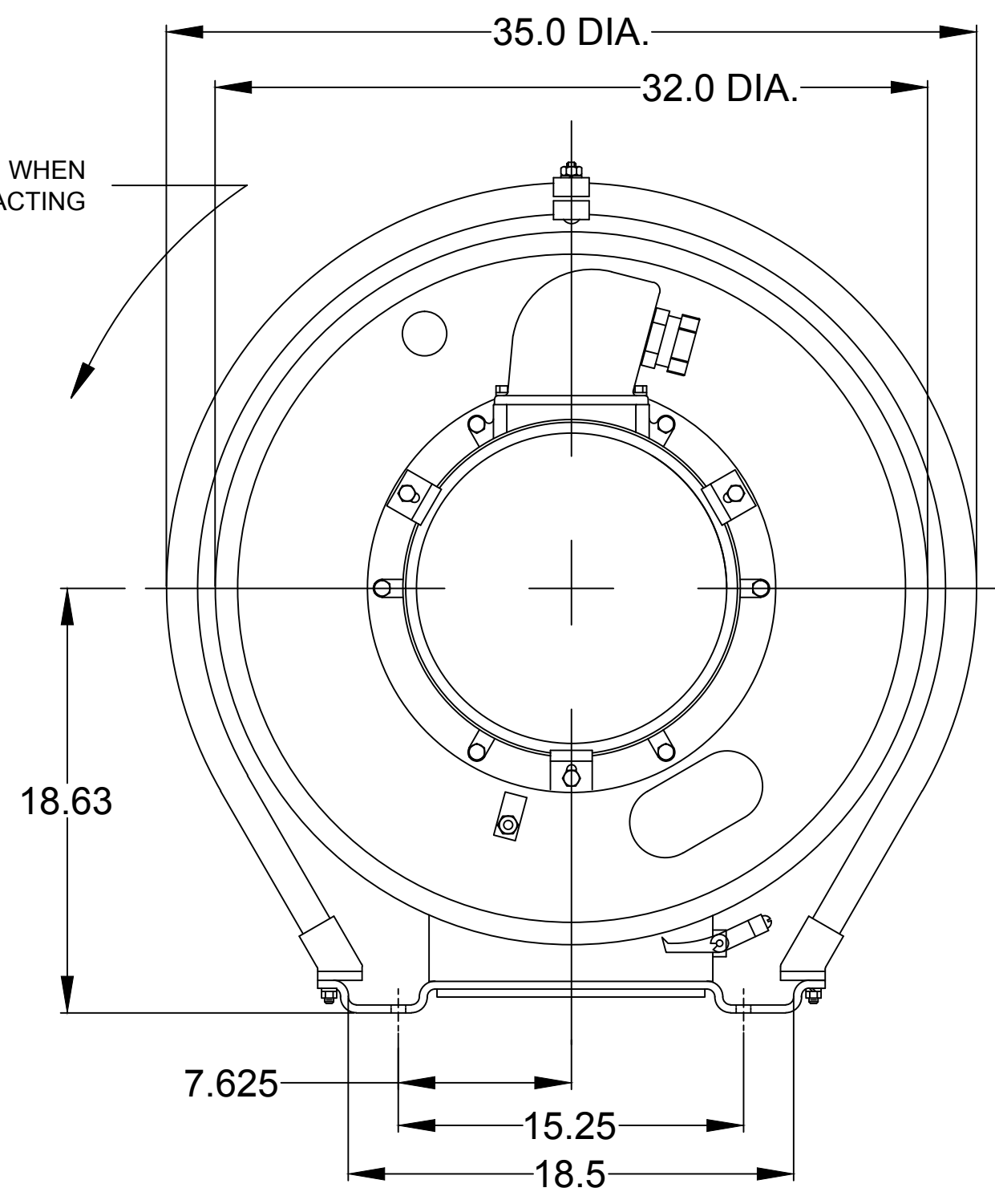
C

B

A



ROTATION WHEN
RETRACTING



NOTES:
 COLOR: YELLOW
 MATERIAL: STEEL
 ELECTRIC RATING: 44A 600V
 ENGINEERING# 144316404GV0410
 CSA CERTIFIED
 NEMA 3R RATED

RELEASE DRAWING EC NO: IPG2017-1057 DRWN: BPATTERS 2017/06/08 CHKD: KAHMED APPR: HKNEELAN 2018/03/09	DESCRIPTION REV	QUALITY SYMBOLS	GENERAL TOLERANCES (UNLESS SPECIFIED)		DIMENSION STYLE		SCALE	DESIGN UNITS	THIRD ANGLE PROJECTION		
		$\nabla=0$ $\sphericalangle=0$	mm	INCH	INCH		NTS	INCH			
		4 PLACES	±---	±---	DRAWN BY	DATE	TITLE				
		3 PLACES	±---	±---	BPATTERS	2017/06/08	144316404G6L REEL GROUNDED BOX 75' #6-4C CABLE & RATCHET LOCK				
		2 PLACES	±---	±---	CHECKED BY	DATE	MOLEX INCORPORATED				
1 PLACE	±---	±---	KAHMED	---	MATERIAL NO. 1300851142						
ANGULAR ±.5°			DRAFT WHERE APPLICABLE MUST REMAIN WITHIN DIMENSIONS		APPROVED BY		DATE	DOCUMENT NO.	SHEET NO.		
					HKNEELAN		2018/03/09	SD-130085-1142	1 OF 1		
					SIZE		THIS DRAWING CONTAINS INFORMATION THAT IS PROPRIETARY TO MOLEX INCORPORATED AND SHOULD NOT BE USED WITHOUT WRITTEN PERMISSION				
					B						

10 9 8 7 6 5 4 3 2 1