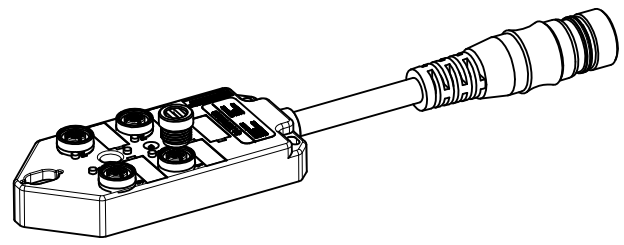


Table 2 of length tolerances

Over	Up to and including	Tolerance (+)
0	305	+19
305	915	+45
915	1830	+56
1830	3660	+89
3660	7320	+165
7320	14640	+317
14640	30500	+622
30500	>	+2% of length

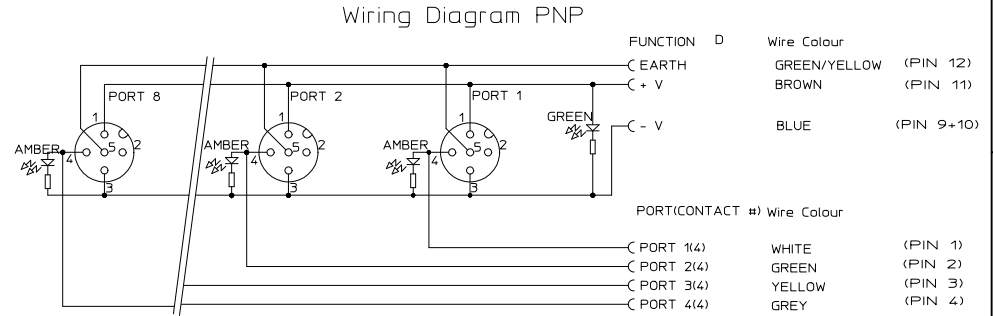
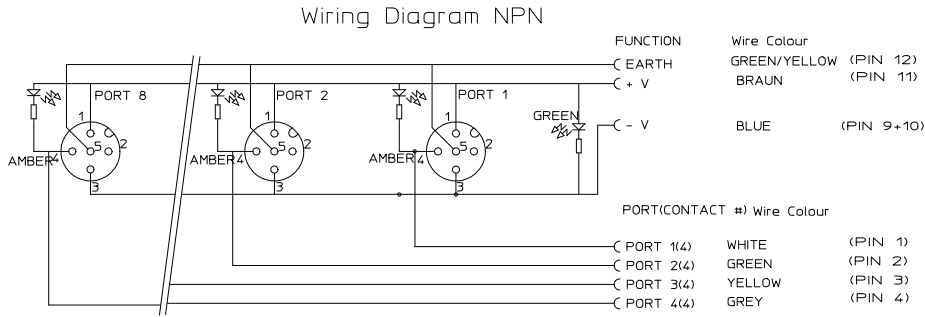
ITEM	QTY	DESCRIPTION	MATERIAL
1	1	HOUSING	PBT YELLOW
2	4	SHELL	NICKEL PLATED BRASS
3	2	PROTECTING CAP	PP
4	4	O-RING	VITRON
5	5	FIBER OPTIC	GRILLAMID
6	1	PCB	-
7	16	CONTACT	GOLD PLATED BRASS
8	1	CABLE PLATE	PBT YELLOW
9	5	LABEL	ABS
10	-	POTTING MATERIAL	RESIN PU55FL
11	-	POTTING MATERIAL	RESIN HARDENER
12	-	SEE TABLE 1	-
13	1	OVERMOLDING	TPU BLACK
14	1	INSERT	NICKEL OVER BRASS
15	1	INSERT	Pa BLACK
16	4	CONTACT	GOLD PLATED BRASS
17	8	CONTACT	GOLD PLATED BRASS
18	1	O_RING	NBR BLACK
19	1	O-RING	NBR BLACK



ENTER DESCRIPTION EC NO: IPG2012-0918 DRW:ULETTENMEIER 2012/05/22 CHK:D-RSILLER 2012/05/23 APPR:CBURGER 2012/05/29	QUALITY SYMBOLS ▽=0 ◻=0	GENERAL TOLERANCES (UNLESS SPECIFIED)	DIMENSION STYLE MM ONLY	SCALE 1:1	DESIGN UNITS METRIC	THIRD ANGLE PROJECTION														
		<table border="1"> <thead> <tr> <th></th> <th>mm</th> <th>INCH</th> </tr> </thead> <tbody> <tr><td>4 PLACES</td><td>± ---</td><td>± ---</td></tr> <tr><td>3 PLACES</td><td>± ---</td><td>± ---</td></tr> <tr><td>2 PLACES</td><td>± 0.1</td><td>± ---</td></tr> <tr><td>1 PLACE</td><td>± 0.2</td><td>± ---</td></tr> </tbody> </table>		mm	INCH	4 PLACES	± ---	± ---	3 PLACES	± ---	± ---	2 PLACES	± 0.1	± ---	1 PLACE	± 0.2	± ---	DRAWN BY DATE ULETTENMEIER 2011/11/14	CHECKED BY DATE ZISMAYILOV 2011/12/14	TITLE MPIS M12 M23 PNP NPN 4P 4PT 12P AC FE MA STR PUR MA XM
			mm	INCH																
		4 PLACES	± ---	± ---																
3 PLACES	± ---	± ---																		
2 PLACES	± 0.1	± ---																		
1 PLACE	± 0.2	± ---																		
ANGULAR ± 2 °	APPROVED BY DATE CBURGER 2011/12/20	MATERIAL NO.	DOCUMENT NO. SD-120005-020	SHEET NO. 1 OF 2																
DRAFT WHERE APPLICABLE MUST REMAIN WITHIN DIMENSIONS	SIZE A3	THIS DRAWING CONTAINS INFORMATION THAT IS PROPRIETARY TO MOLEX INCORPORATED AND SHOULD NOT BE USED WITHOUT WRITTEN PERMISSION																		

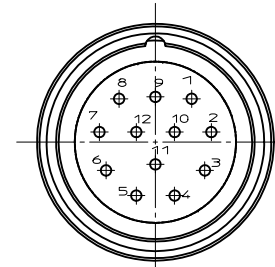
TABLE 1

MOLEX PN	ENG.NO.	DESCRIPTION	CABLE	L - length[M]
1200580072	BTY417N-FBP-003	MPIS M12 M23 NPN 4P 4PT 12P AC FE STR PUR MA STR 0,3M	M12M-cable8x0.34+3x0.75 blk PUR	0.3
1200051025	BTY417P-FBP-003	MPIS M12 M23 PNP 4P 4PT 12P AC FE STR PUR MA STR 0,3M	M12M-cable8x0.34+3x0.75 blk PUR	0.3



GENERAL CHARACTERISTICS:

- NOMINAL VOLTAGE: 10-30 V DC
- RATED VOLTAGE: 32 V EFF.
- POLUTION DEGREE: 3
- RATED CURRENT: 4 A PER PORT / 12 A MAX: TOTAL
- CONTACT RESISTANCE: ≤ 5 mOHM
- ISULATION RESISTANCE: > 10⁹ OHM
- IP DEGREE OF PROTECTION: IP 68 REFER TO TEST SUMMARY TS-120005-016
- TEMPERATURE RANGE: WITH PUR CABLE (CABLE PUR BLK 3X0.75 4X0.34 SM) -5°C / +90°C
WITH PVC CABLE (ROVV 19AWGx3C+22AWGx4C) -10°C / +80°C



CONNECTOR FACE VIEW

FLAMMABYLITY: Insert: V0
HOUSING: V0

PACKAGING: CABLE LENGTH OVER 5M: BAG, STRINGED, 450X500
P/N: 908487016
CABLE LENGTH UP TO 5M: BAG 200X300X 05
P/N: 908486937

ENTER DESCRIPTION EC NO: IPG2012-0918 DRW:ULETTENMEIER 2012/05/22 CHK:DARSILLER 2012/05/23 APPR:CBURGER 2012/05/29	QUALITY SYMBOLS ▽=0 ◻=0	GENERAL TOLERANCES (UNLESS SPECIFIED)		DIMENSION STYLE MM ONLY	SCALE 1:1	DESIGN UNITS METRIC	THIRD ANGLE PROJECTION	
		mm	INCH	DRAWN BY	DATE	TITLE		
		4 PLACES ± --- ± ---		ULETTENMEIER	2011/11/14	MPIS M12 M23 PNP NPN 4P 4PT 12P AC FE MA STR PUR MA XM		
		3 PLACES ± --- ± ---		CHECKED BY	DATE	MOLEX INCORPORATED		
2 PLACES ± 0.1 ± ---		ZISMAYILOV	2011/12/14	MATERIAL NO.				
1 PLACE ± 0.2 ± ---		APPROVED BY	DATE	DOCUMENT NO.				
ANGULAR ± 2 °		CBURGER	2011/12/20	SHEET NO.				
DRAFT WHERE APPLICABLE MUST REMAIN WITHIN DIMENSIONS		SEE TABLE 1		SD-120005-020			2 OF 2	
A1		A3		THIS DRAWING CONTAINS INFORMATION THAT IS PROPRIETARY TO MOLEX INCORPORATED AND SHOULD NOT BE USED WITHOUT WRITTEN PERMISSION				