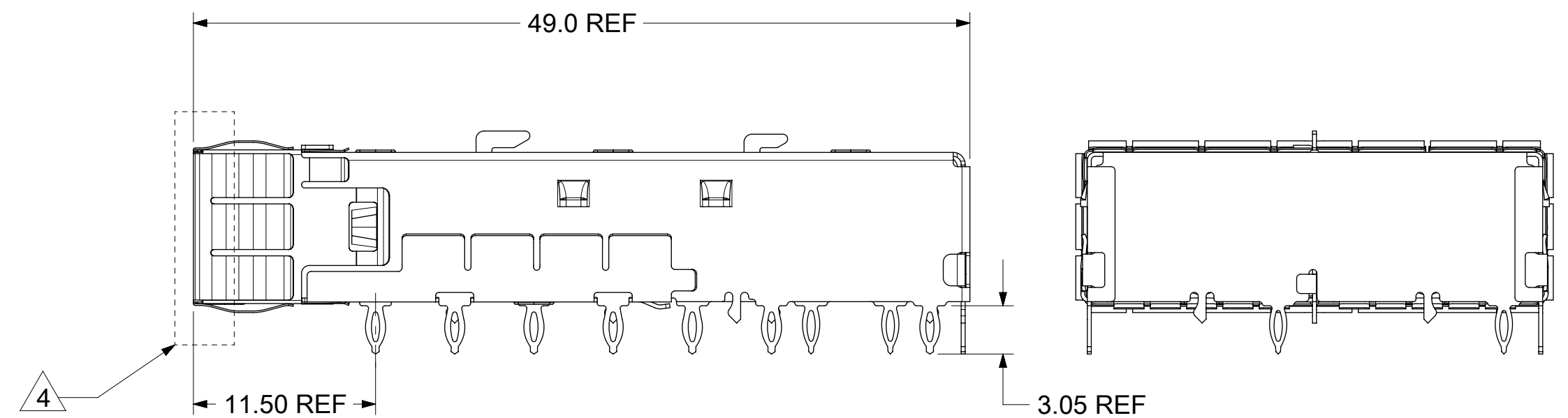
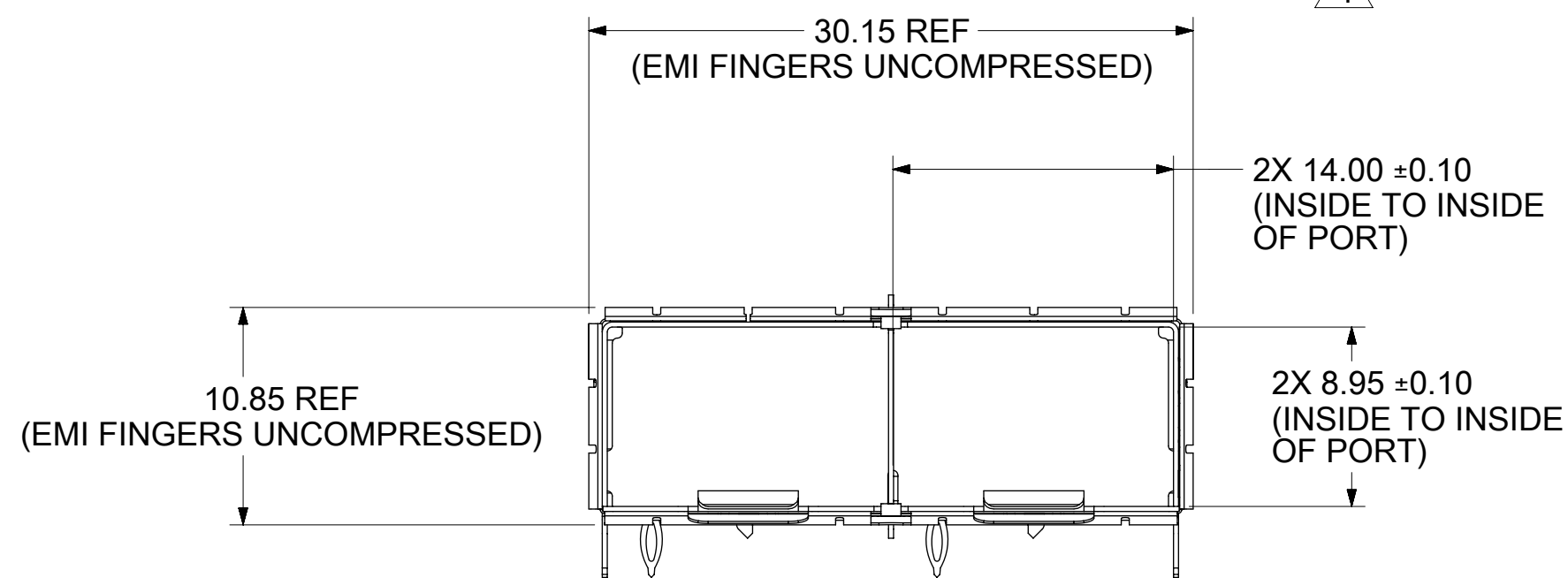
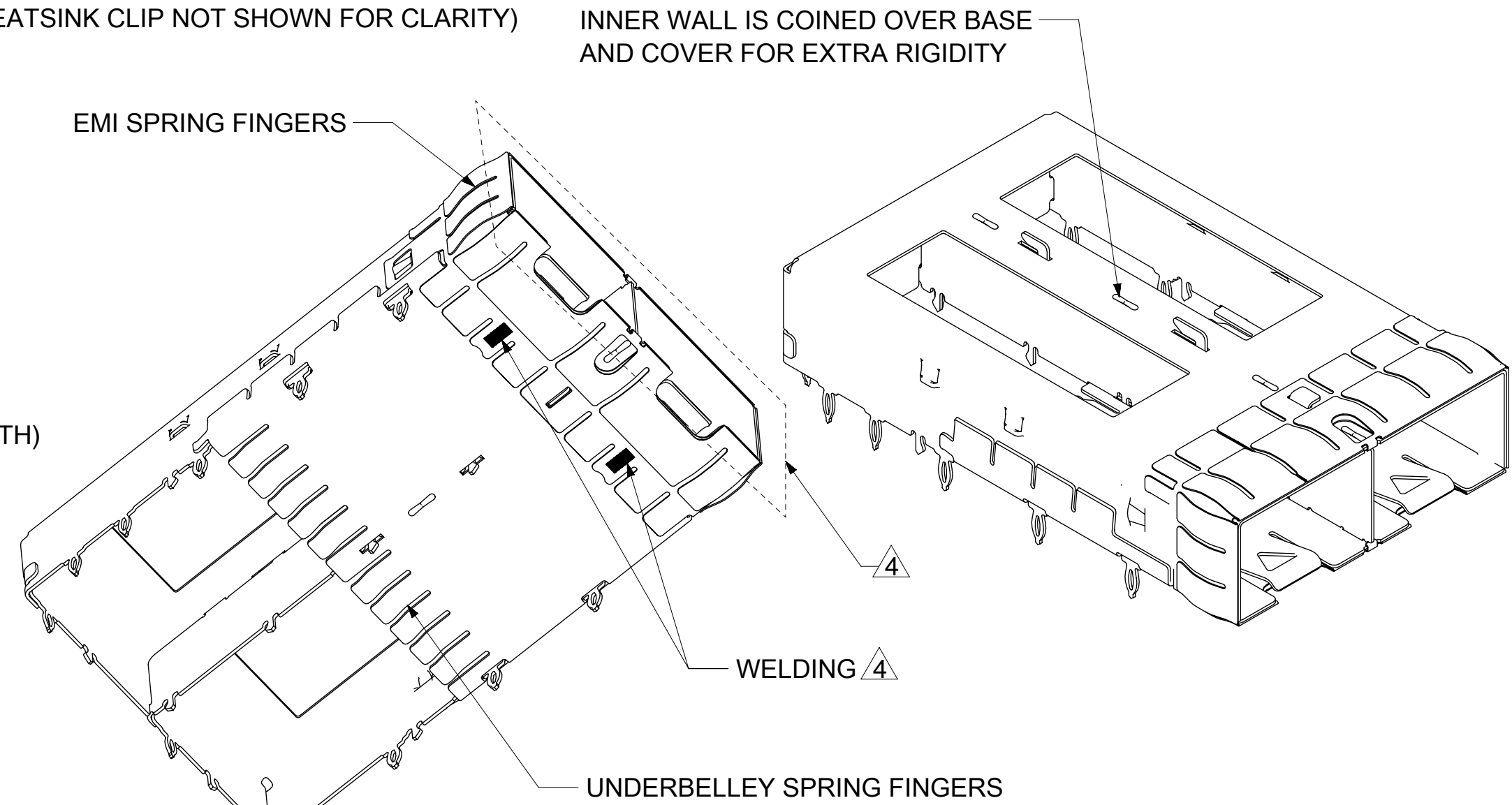
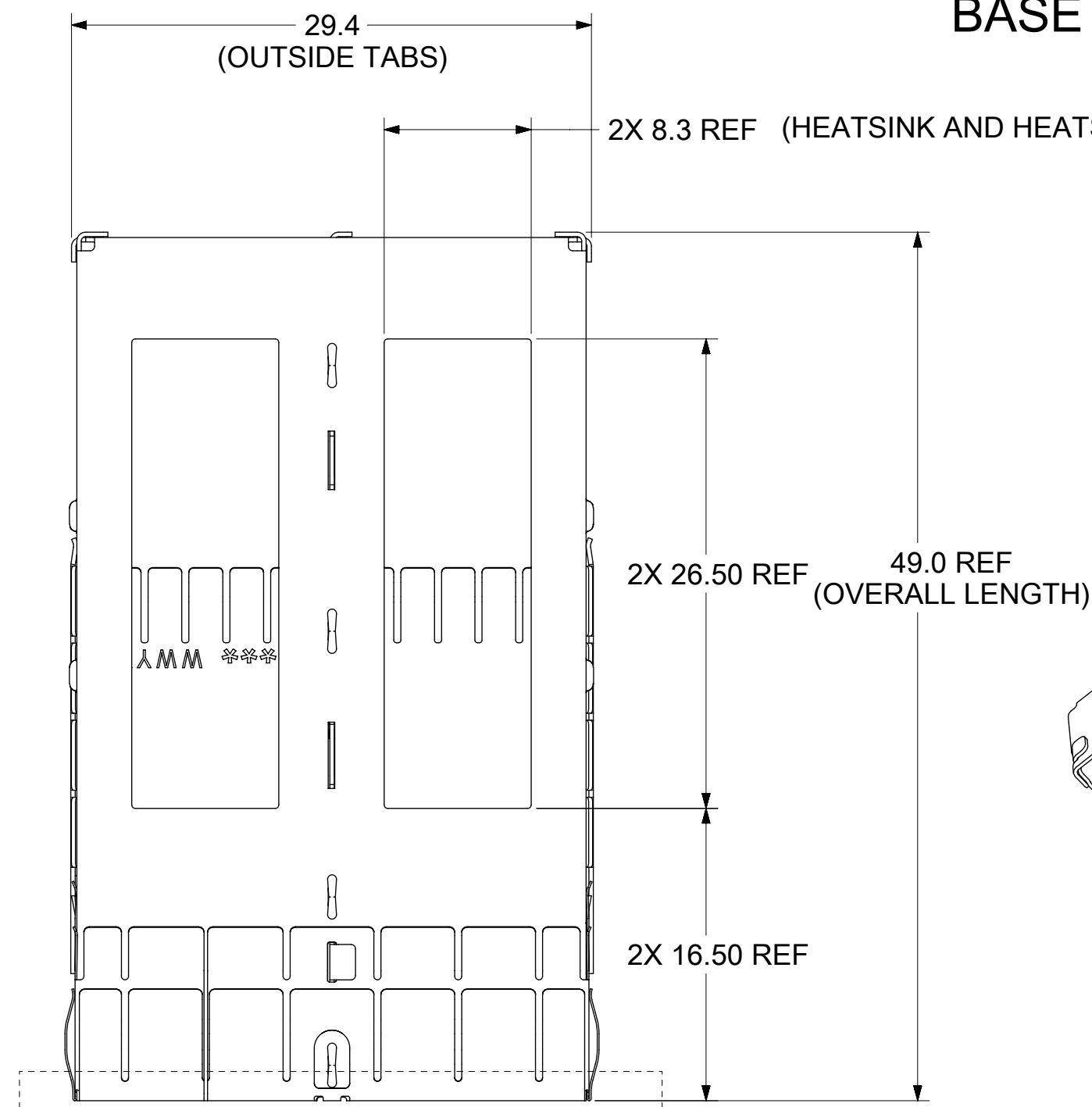


# BASE CAGE DETAILS

1111128270



## NOTES:

- MATERIAL:  
CAGE: 0.25mm THICK COPPER ALLOY, NICKEL PLATED.  
SPRING FINGERS: STAINLESS STEEL.  
HEATSINK: ALUMINUM  
HEATSINK SPRING CLIP: STAINLESS STEEL.
- PRESS FIT LEGS: 3.05mm LONG
- PORTS ARE DESIGNED FOR SFP+ TRANSCEIVERS AND ARE COMPATIBLE WITH SFP TRANSCEIVERS. THE TOP SURFACE OF THE MODULE MUST BE FLAT (NO PRODUCT LABEL RECESS) AND THERMALLY CONDUCTIVE TO FUNCTION OPTIMALLY.
- WELD SPOT MAY SHOW SLIGHT MATERIAL DISCOLORATION.
- NO RoHS EXEMPTIONS.

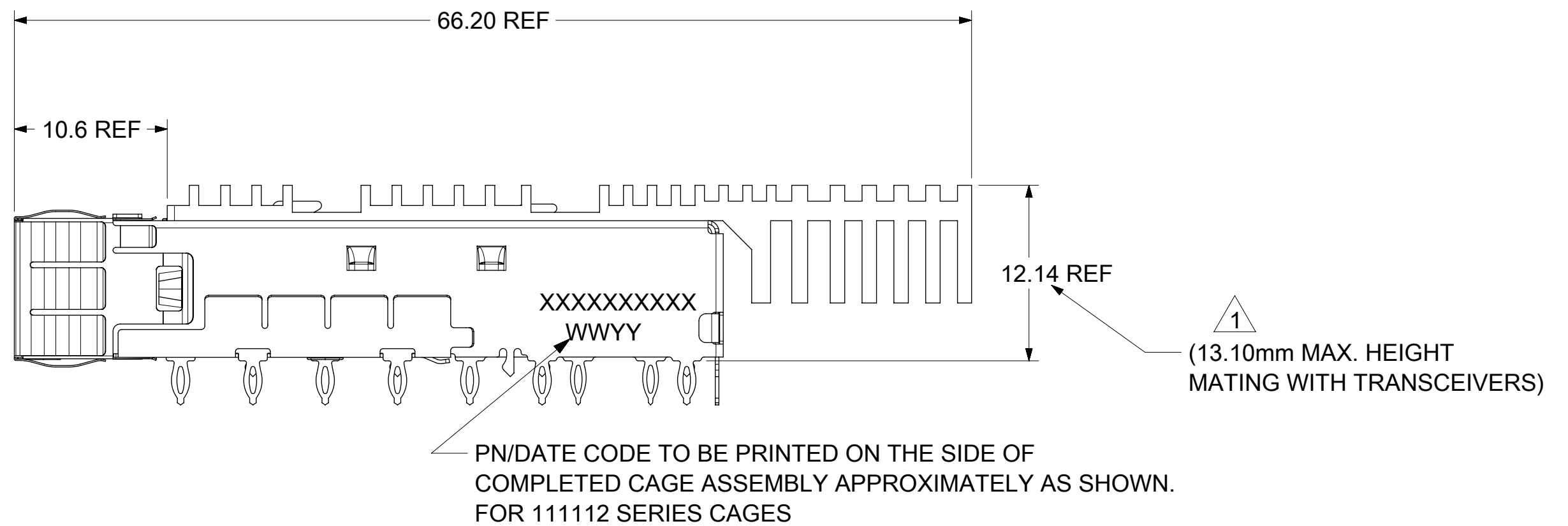
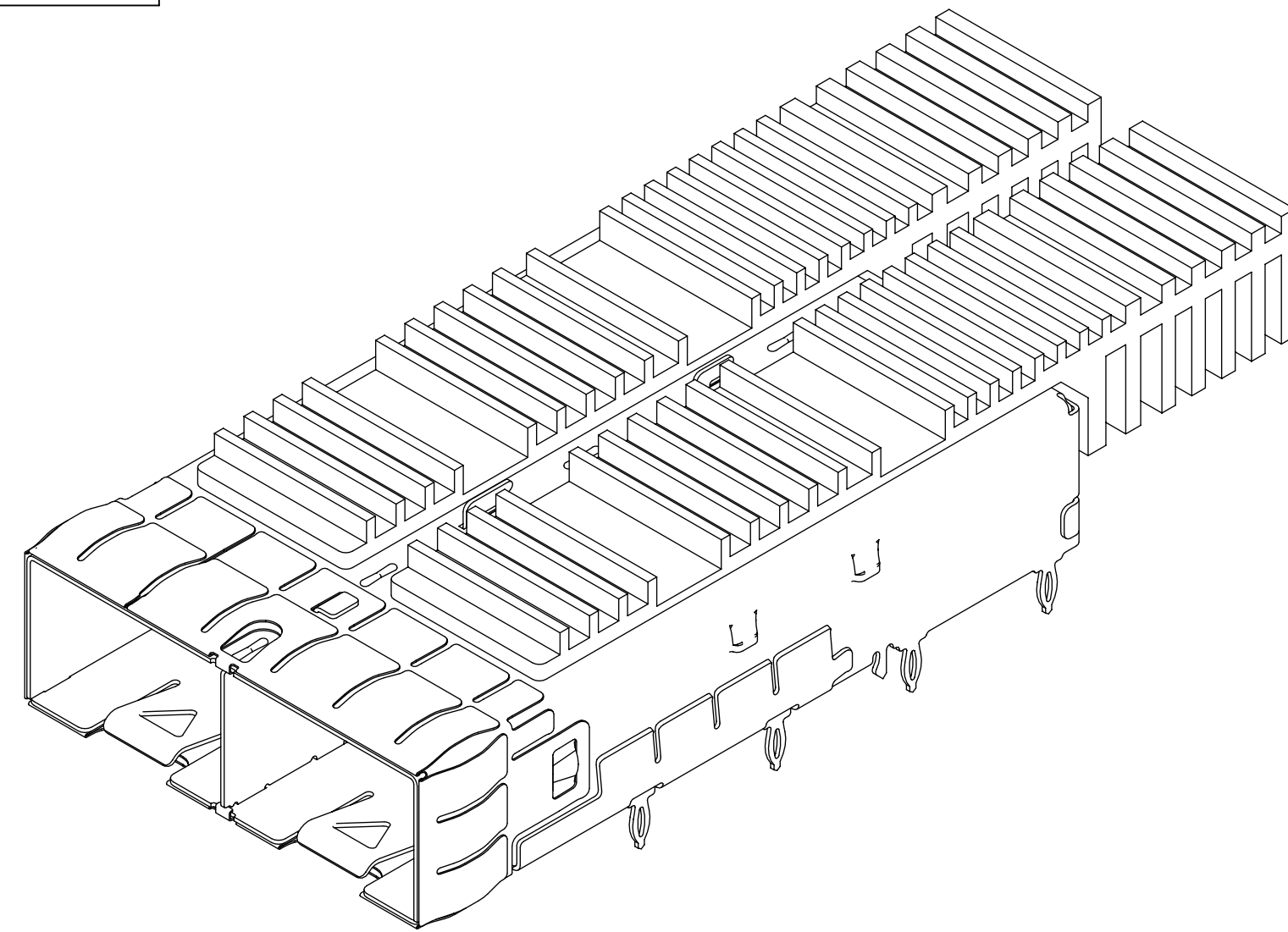
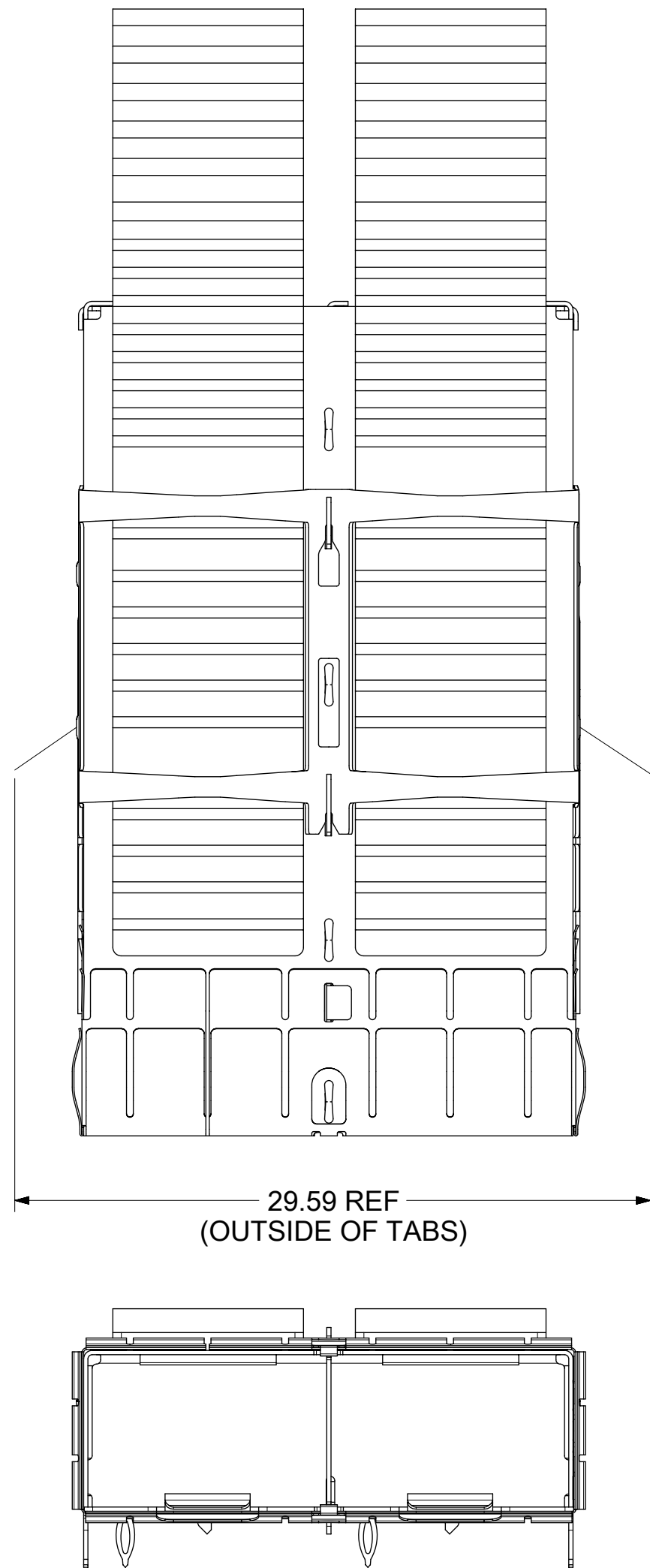
| P/N        | HEATSINK FINISH | SHEET NO. | INSULATING TAPE |
|------------|-----------------|-----------|-----------------|
| 1111128270 | NICKEL PLATED   | 2         | NO              |
| 1111128272 | BLACK ANODIZED  | 3         | YES             |

|   |   |         |   |                 |          |              |
|---|---|---------|---|-----------------|----------|--------------|
| <b>FUNCTIONAL SYMBOLS</b><br>$\nabla_A = 0$<br>$\nabla_E = 0$<br>$\nabla_P = 0$ | THIS DRAWING CONTAINS INFORMATION THAT IS PROPRIETARY TO MOLEX ELECTRONIC TECHNOLOGIES, LLC AND SHOULD NOT BE USED WITHOUT WRITTEN PERMISSION |         | CURRENT REV DESC: SEE REVISION TABLE  |                 |          |              |
|   | DIMENSION UNITS   | SCALE   | <b>molex</b><br><br>SFP+ 1X2 CAGE ASSY PRESS FIT TYPE, W/ SUS EMI SPRING FINGER & HEAT SINK<br><br>PRODUCT CUSTOMER DRAWING |                 |          |              |
|   | mm  | 3:1     |   |                 |          |              |
|   | GENERAL TOLERANCES (UNLESS SPECIFIED)   |         |   |                 |          |              |
| DIVISIONAL SYMBOLS  | ANGULAR TOL   | ± 1.0°  | EC NO: 707270   | 2022/04/12      |          |              |
| 4 PLACES  | ±   |         | DRWN: ABHILT2   | 2022/05/25      |          |              |
| 3 PLACES  | ±   |         | CHK'D: TKUMARKC   | 2022/06/01      |          |              |
| 2 PLACES  | ± 0.15  |         | APPR: SCHIEN  |                 |          |              |
| 1 PLACE   | ± 0.25  |         | INITIAL REVISION:   |                 |          |              |
| 0 PLACES  | ±   |         | DRWN: ABHILT2   | 2022/04/12      |          |              |
|   |   |         | APPR: SCHIEN  | 2022/06/01      |          |              |
| DRAFT WHERE APPLICABLE MUST REMAIN WITHIN DIMENSIONS                            | THIRD ANGLE PROJECTION  | DRAWING | SERIES  | MATERIAL NUMBER | CUSTOMER | SHEET NUMBER |
|   |   | C-SIZE  | 111112  | SEE P/N TABLE   |          | 1 OF 6       |

|                 |    |              |            |          |
|-----------------|----|--------------|------------|----------|
| DOCUMENT STATUS | P1 | RELEASE DATE | 2022/06/01 | 06:40:57 |
|-----------------|----|--------------|------------|----------|

# CAGE ASSEMBLY W/ HEAT SINK

1111128270



WEEK/YEAR DATE CODE TABLE

|    |                  |   |
|----|------------------|---|
| WW | 01 THRU 52 OR 53 | EXAMPLE: 01 = FIRST WEEK OF YEAR 52 = LAST WEEK OF YEAR |
| YY | 22, 23, 24 ETC.  | EXAMPLE: YEAR 2022 = 22                                 |

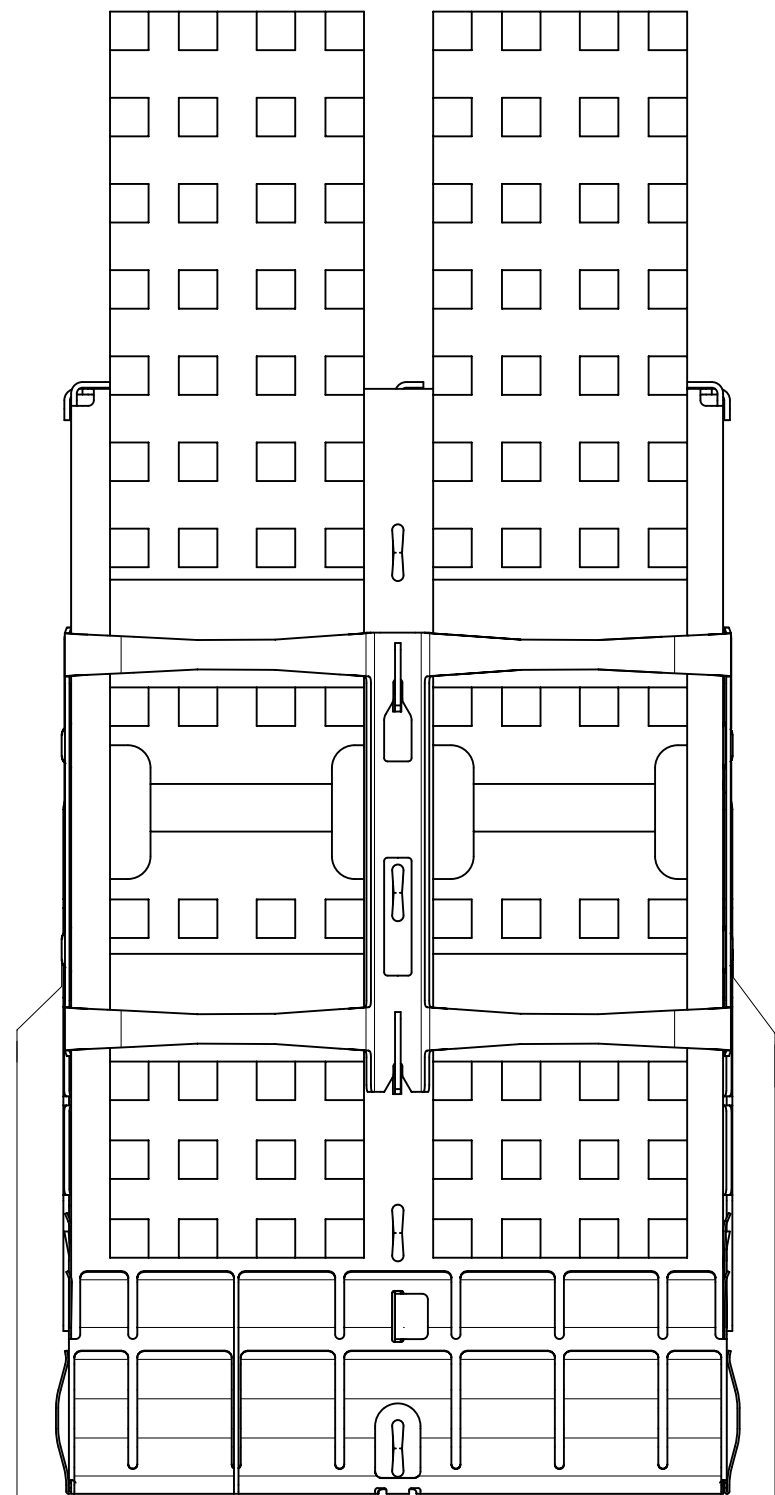
NOTE:  
 1. HEIGHT OF HEATSINK WITH MODULE INSERTED DIMENSION MAY BE LESS DUE TO MODULE AND HEATSINK VARIATIONS

|   |   |   |                                      |  |  |  |   |
|---|---|---|--------------------------------------|--|--|--|---|
| FUNCTIONAL SYMBOLS<br>$\nabla A = 0$<br>$\nabla E = 0$<br>$\nabla P = 0$<br>DIVISIONAL SYMBOLS<br>4 PLACES ±<br>3 PLACES ±<br>2 PLACES ± 0.15<br>1 PLACE ± 0.25<br>0 PLACES ±<br>DRAFT WHERE APPLICABLE MUST REMAIN WITHIN DIMENSIONS | THIS DRAWING CONTAINS INFORMATION THAT IS PROPRIETARY TO MOLEX ELECTRONIC TECHNOLOGIES, LLC AND SHOULD NOT BE USED WITHOUT WRITTEN PERMISSION |   | CURRENT REV DESC: SEE REVISION TABLE |  |  |  |   |
|   | DIMENSION UNITS: mm<br>SCALE: 3:1   | GENERAL TOLERANCES (UNLESS SPECIFIED)<br>ANGULAR TOL ± 1.0° |                                      | EC NO: 707270<br>DRWN: ABHILT2<br>CHK'D: TKUMARKC<br>APPR: SCHIEN            |  | 2022/04/12<br>2022/05/25<br>2022/06/01 | PRODUCT CUSTOMER DRAWING                    |
|   | INITIAL REVISION:<br>DRWN: ABHILT2<br>APPR: SCHIEN  |   | 2022/04/12<br>2022/06/01             | DOCUMENT NUMBER: 1111128270<br>DOC TYPE: PSD<br>DOC PART: ASY<br>REVISION: A |  |  |   |
|   | DRAFT WHERE APPLICABLE MUST REMAIN WITHIN DIMENSIONS  |   | THIRD ANGLE PROJECTION               | DRAWING: C-SIZE  |  | SERIES: 111112                         | MATERIAL NUMBER: SEE P/N TABLE<br>CUSTOMER: |

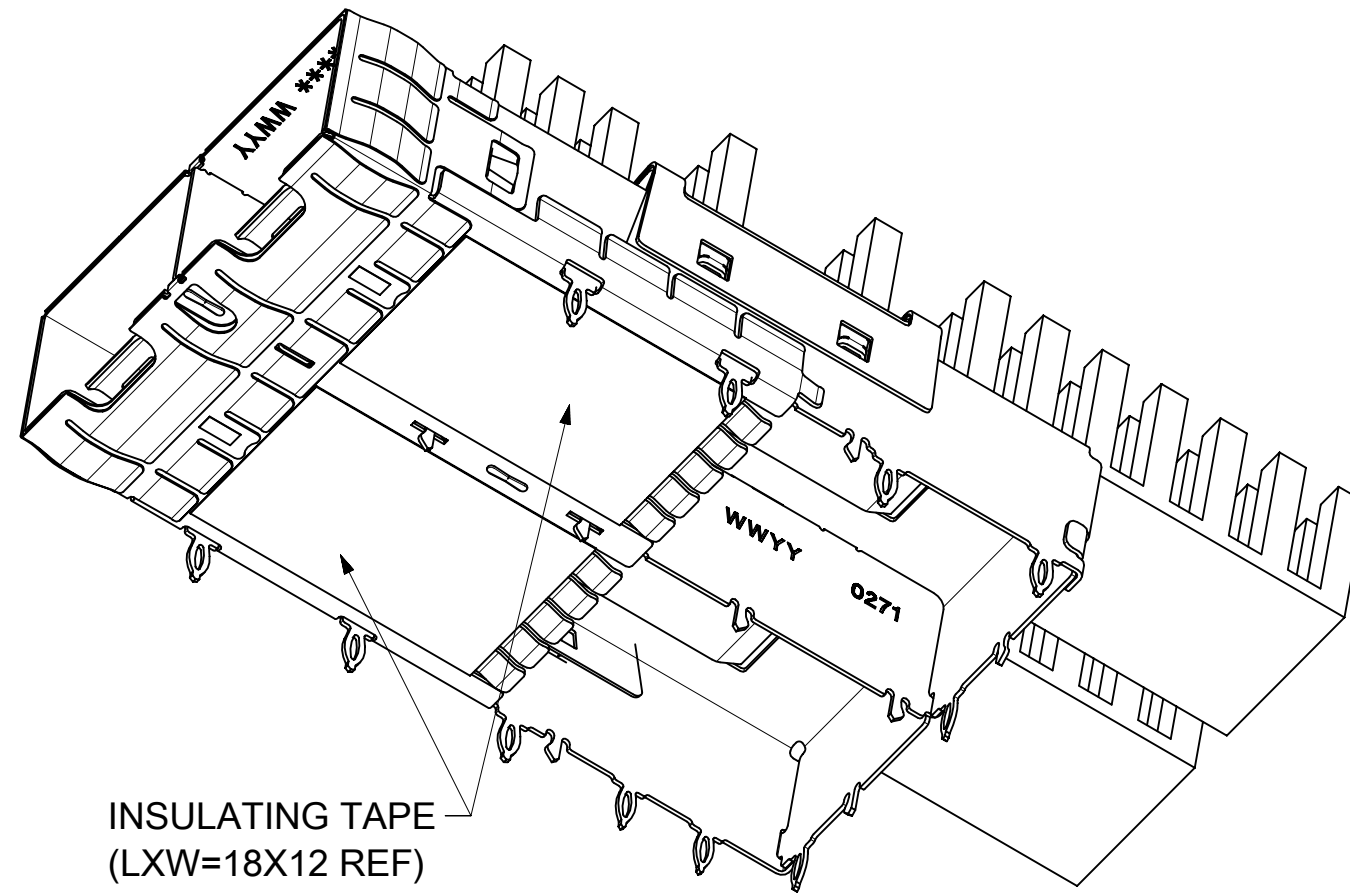
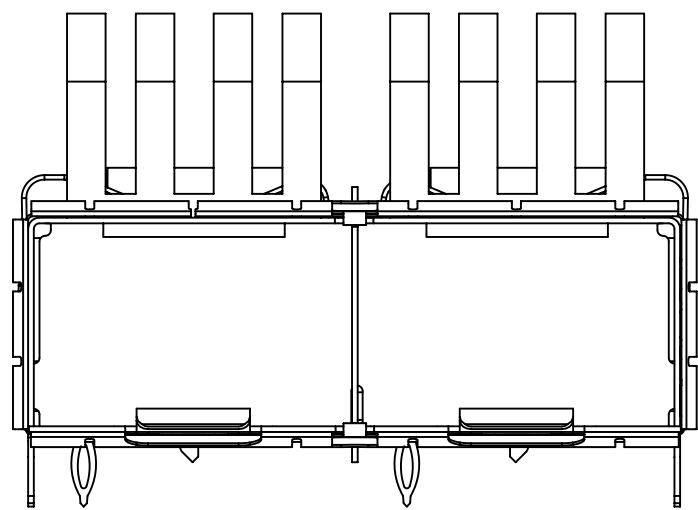
# CAGE ASSEMBLY W/ HEAT SINK

111128272

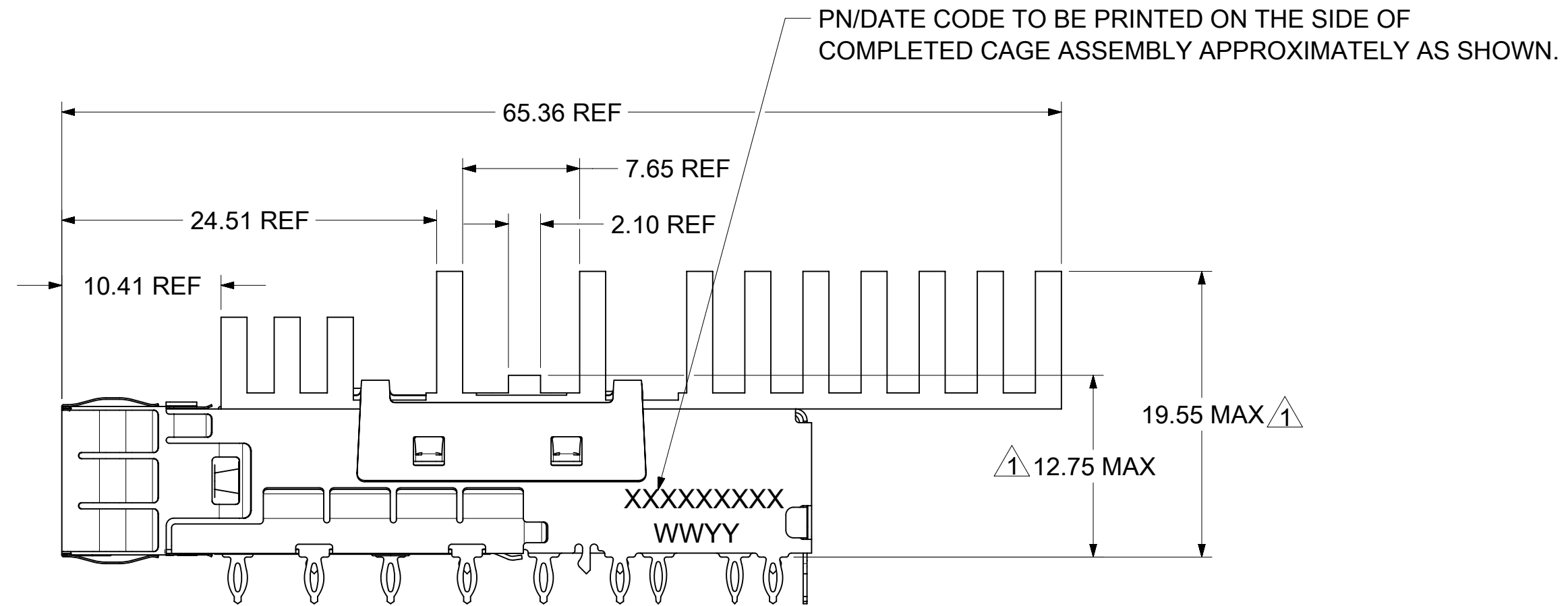
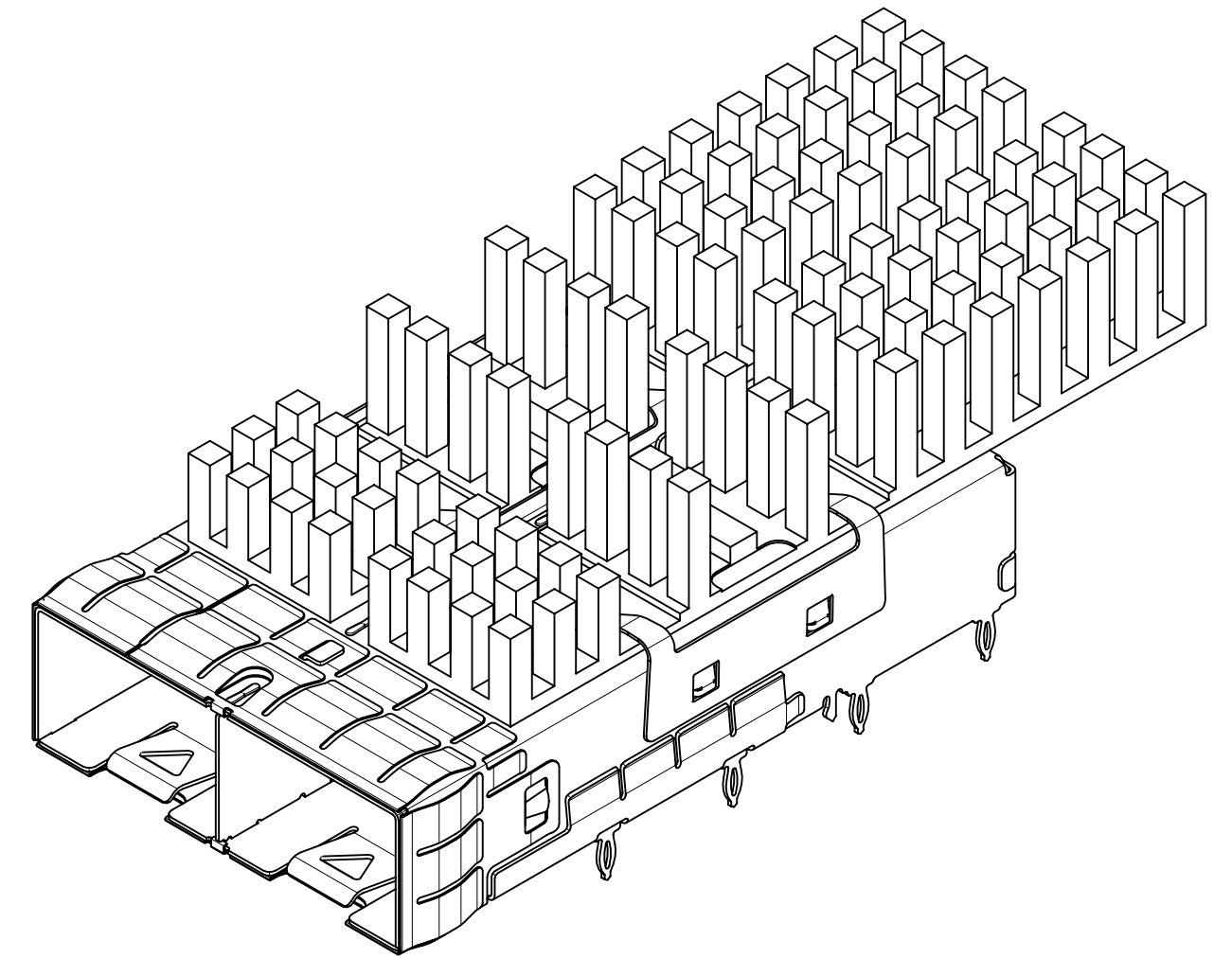
SHOWN



29.59 REF  
(OUTSIDE OF TABS)



INSULATING TAPE  
(LXW=18X12 REF)



### WEEK/YEAR DATE CODE TABLE

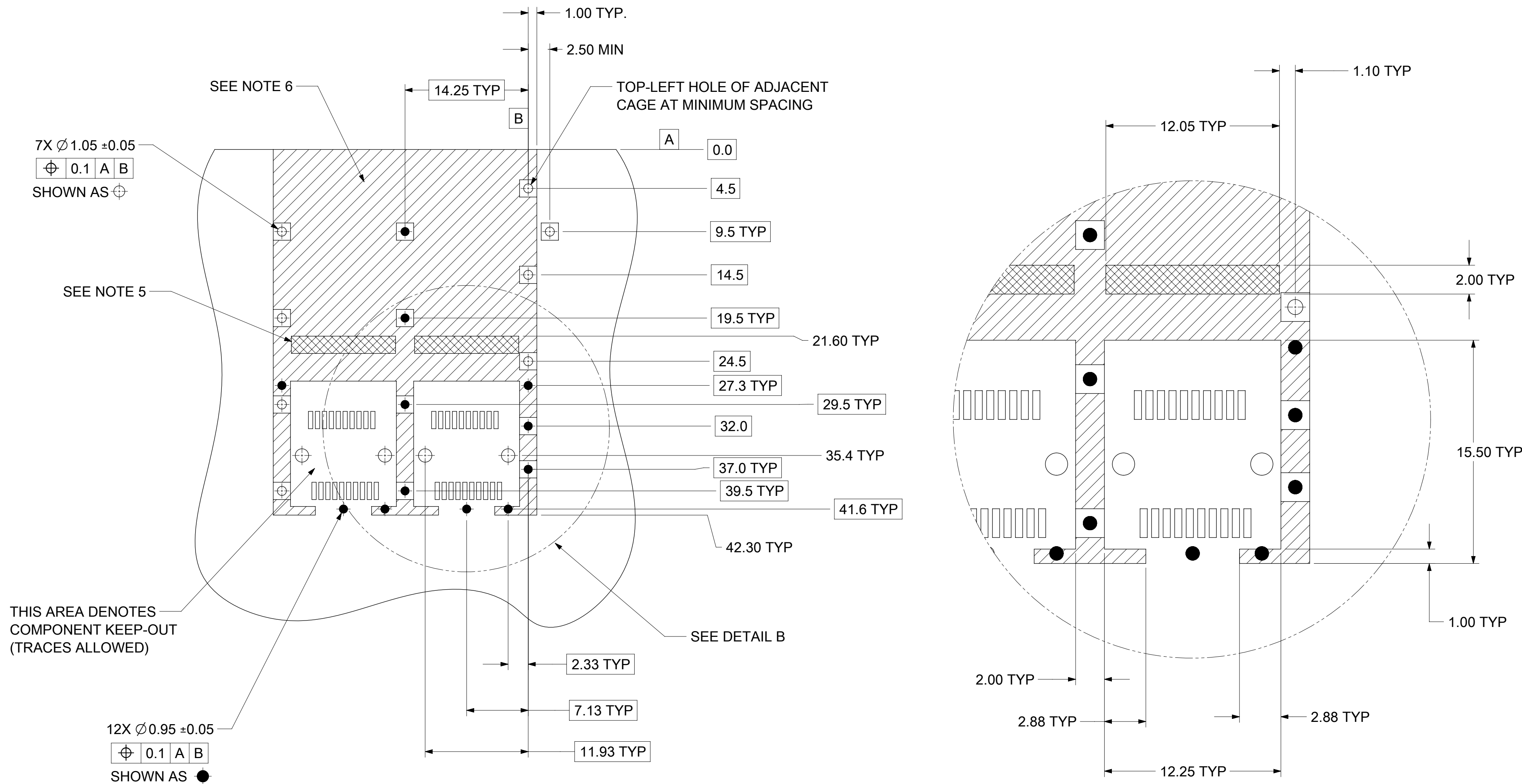
|    |                  |   |
|----|------------------|---|
| WW | 01 THRU 52 OR 53 | EXAMPLE: 01 = FIRST WEEK OF YEAR 52 = LAST WEEK OF YEAR |
| YY | 22, 23, 24 ETC.  | EXAMPLE: YEAR 2022 = 22                                 |

|  |   |                        |  |                                |
|--|---|------------------------|--|--------------------------------|
| FUNCTIONAL SYMBOLS                                   | THIS DRAWING CONTAINS INFORMATION THAT IS PROPRIETARY TO MOLEX ELECTRONIC TECHNOLOGIES, LLC AND SHOULD NOT BE USED WITHOUT WRITTEN PERMISSION |                        | CURRENT REV DESC: SEE REVISION TABLE   |                                |
| FA = 0   | DIMENSION UNITS   | SCALE                  | <p><b>molex</b></p> <p>SFP+ 1X2 CAGE ASSY PRESS FIT TYPE, W/ SUS EMI SPRING FINGER &amp; HEAT SINK</p> <p>PRODUCT CUSTOMER DRAWING</p> |                                |
| EA = 0   | mm  | 3:1                    |  |                                |
| EP = 0   | GENERAL TOLERANCES (UNLESS SPECIFIED)   |                        |  |                                |
| DIVISIONAL SYMBOLS                                   |   | ANGULAR TOL ± 1.0°     | EC NO: 707270  | 2022/04/12                     |
| 4 PLACES ±   |   | ± 0.15                 | DRWN: ABHILT2  | 2022/05/25                     |
| 3 PLACES ±   |   |                        | 2 PLACES ±   | CHK'D: TKUMARKC                |
| 2 PLACES ±   |   | 1 PLACE ± 0.25         | APPR: SCHIEN   | 2022/06/01                     |
| 1 PLACE ±  |   | 0 PLACES ±             | INITIAL REVISION:  |                                |
| DRAFT WHERE APPLICABLE MUST REMAIN WITHIN DIMENSIONS |   | THIRD ANGLE PROJECTION | DRWN: ABHILT2  | 2022/04/12                     |
|  |   |                        | APPR: SCHIEN   | 2022/06/01                     |
|  |   |                        | DRAWING  | SERIES                         |
|  |   |                        | C-SIZE   | 111112                         |
|  |   |                        | MATERIAL NUMBER  | CUSTOMER                       |
|  |   |                        | SEE P/N TABLE  |                                |
|  |   |                        | DOCUMENT NUMBER  | DOC TYPE   DOC PART   REVISION |
|  |   |                        | 111128270  | PSD   ASY   A                  |
|  |   |                        | SHEET NUMBER   |                                |
|  |   |                        | 3 OF 6   |                                |

NOTE: HEIGHT OF HEATSINK WITH MODULE INSERTED DIMENSION MAY BE LESS DUE TO MODULE AND HEATSINK VARIATIONS

|                 |    |              |            |          |
|-----------------|----|--------------|------------|----------|
| DOCUMENT STATUS | P1 | RELEASE DATE | 2022/06/01 | 06:40:57 |
|-----------------|----|--------------|------------|----------|

# PCB LAYOUT - SINGLE SIDE ONLY



7X Ø1.05 ±0.05  
 ⊕ 0.1 A B  
 SHOWN AS ⊕

SEE NOTE 5

THIS AREA DENOTES  
 COMPONENT KEEP-OUT  
 (TRACES ALLOWED)

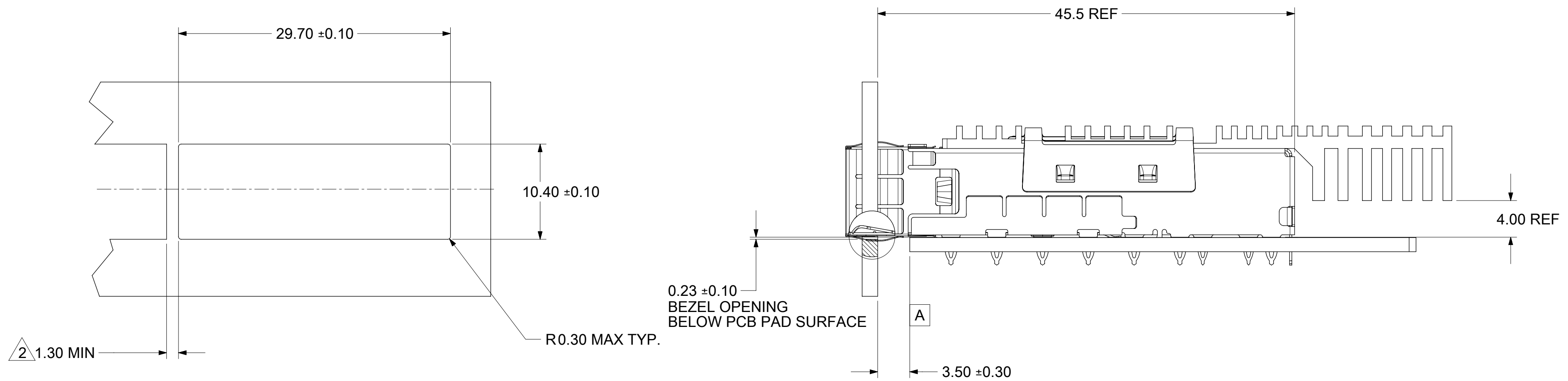
12X Ø0.95 ±0.05  
 ⊕ 0.1 A B  
 SHOWN AS ●

DETAIL B  
 SCALE 5:1  
 HOST CONNECTOR DETAIL

- NOTES:
- PADS AND VIAS CONNECT TO CHASSIS GROUND  
 RECOMMEND PADS TO BE 2.00mm SQUARE
  - RECOMMENDED THRU HOLE PLATING INCLUDES HASL, OSP, OR IMMERSION (GOLD, SILVER, OR TIN)
  - CONNECTOR PAD LAYOUT PER SFP+ MSA WILL ACCOMODATE MOLEX CONNECTOR SERIES 74441 OR EQUIVALENT.
  - SPACING BETWEEN PORTS IS 14.25mm
  - CROSS-HATCHED AREA IS EXPOSED CHASSIS GROUND (NO OSP)
  - HATCHED AREA IS COMPONENT AND TRACE KEEP-OUT (EXCEPT CHASSIS GROUND)
  - 1.57mm MINIMUM PCB THICKNESS FOR SINGLE SIDED USE.

|   |  |       |   |   |  |  |  |  |  |
|---|--|-------|---|---|--|--|--|--|--|
| THIS DRAWING CONTAINS INFORMATION THAT IS PROPRIETARY TO MOLEX ELECTRONIC TECHNOLOGIES, LLC AND SHOULD NOT BE USED WITHOUT WRITTEN PERMISSION |  |       |   |   |  |  |  |  |  |
| FUNCTIONAL SYMBOLS  | DIMENSION UNITS                                      | SCALE | CURRENT REV DESC: SEE REVISION TABLE  |   |  |  |  |  |  |
| FA = 0  | mm   | 3:1   | EC NO: 707270<br>DRWN: ABHILT2<br>CHK'D: TKUMARKC<br>APPR: SCHIEN<br>INITIAL REVISION:<br>DRWN: ABHILT2<br>APPR: SCHIEN |   |  |  |  |  |  |
| EA = 0  | GENERAL TOLERANCES (UNLESS SPECIFIED)                |       |   |   |  |  |  |  |  |
| EP = 0  | ANGULAR TOL ± 1.0°                                   |       |   |   |  |  |  |  |  |
| DIVISIONAL SYMBOLS  | 4 PLACES ±   |       | 2022/04/12  | PRODUCT CUSTOMER DRAWING<br>DOCUMENT NUMBER: 111128270<br>DOC TYPE: PSD<br>DOC PART: ASY<br>REVISION: A |  |  |  |  |  |
|   | 3 PLACES ±   |       | 2022/05/25  |   |  |  |  |  |  |
|   | 2 PLACES ± 0.15                                      |       | 2022/06/01  | MATERIAL NUMBER: SEE P/N TABLE<br>CUSTOMER:   |  |  |  |  |  |
|   | 1 PLACE ± 0.25                                       |       | 2022/04/12  |   |  |  |  |  |  |
|   | 0 PLACES ±   |       | 2022/06/01  | SHEET NUMBER: 4 OF 6  |  |  |  |  |  |
|   | DRAFT WHERE APPLICABLE MUST REMAIN WITHIN DIMENSIONS |       | THIRD ANGLE PROJECTION  |   |  |  |  |  |  |

# BEZEL AND BOARD POSITION DIMENSIONS FOR SINGLE SIDE MOUNTING (SPRING FINGER)



- NOTE:**
1. PCB THICKNESS VARIATION MUST BE CONSIDERED WHEN DETERMINING BEZEL OPENING LOCATION.
  2. THIS DIMENSION IS FOR REFERENCE ONLY. USER CAN MODIFY IT DEPENDS ON APPLICATION.  
(THIS DIMENSION VARIES BASED ON DISTANCE OF "HOLE OF ADJACENT CAGE" ON PCB LAYOUT.)

|  |   |       |                                       |  |                 |  |                   |  |                 |  |           |  |              |  |
|--|---|-------|---------------------------------------|--|-----------------|--|-------------------|--|-----------------|--|-----------|--|--------------|--|
| <b>FUNCTIONAL SYMBOLS</b>                            | THIS DRAWING CONTAINS INFORMATION THAT IS PROPRIETARY TO MOLEX ELECTRONIC TECHNOLOGIES, LLC AND SHOULD NOT BE USED WITHOUT WRITTEN PERMISSION |       |                                       |  |                 |  |                   |  |                 |  |           |  |              |  |
| $\frac{F}{A} = 0$                                    | DIMENSION UNITS   | SCALE | CURRENT REV DESC: SEE REVISION TABLE  |  |                 |  |                   |  |                 | <h1 style="margin: 0;">molex</h1>  |           |  |              |  |
| $\frac{F}{C} = 0$                                    | mm  | 3:1   | GENERAL TOLERANCES (UNLESS SPECIFIED) |  |                 |  |                   |  |                 |  |           |  |              |  |
| $\frac{F}{P} = 0$                                    | ANGULAR TOL ± 1.0°  |       | 4 PLACES ±                            |  | EC NO: 707270   |  | 2022/04/12        |  |                 | SFP+ 1X2 CAGE ASSY PRESS FIT TYPE,<br>W/ SUS EMI SPRING FINGER & HEAT SINK |           |  |              |  |
| DIVISIONAL SYMBOLS                                   |   |       | 3 PLACES ±                            |  | DRWN: ABHILT2   |  | 2022/05/25        |  |                 |  |           |  |              |  |
| 2 PLACES ± 0.15                                      |   |       | 2 PLACES ± 0.25                       |  | CHK'D: TKUMARKC |  | 2022/06/01        |  |                 | PRODUCT CUSTOMER DRAWING   |           |  |              |  |
| 1 PLACE ±  |   |       | 0 PLACES ±                            |  | APPR: SCHIEN    |  | INITIAL REVISION: |  |                 | DOCUMENT NUMBER  |           |  |              |  |
| DRAFT WHERE APPLICABLE MUST REMAIN WITHIN DIMENSIONS |   |       | THIRD ANGLE PROJECTION                |  | DRAWING         |  | SERIES            |  | MATERIAL NUMBER |  | CUSTOMER  |  | SHEET NUMBER |  |
|  |   |       |                                       |  | C-SIZE          |  | 111112            |  | SEE P/N TABLE   |  | PSD ASY A |  | 5 OF 6       |  |

