

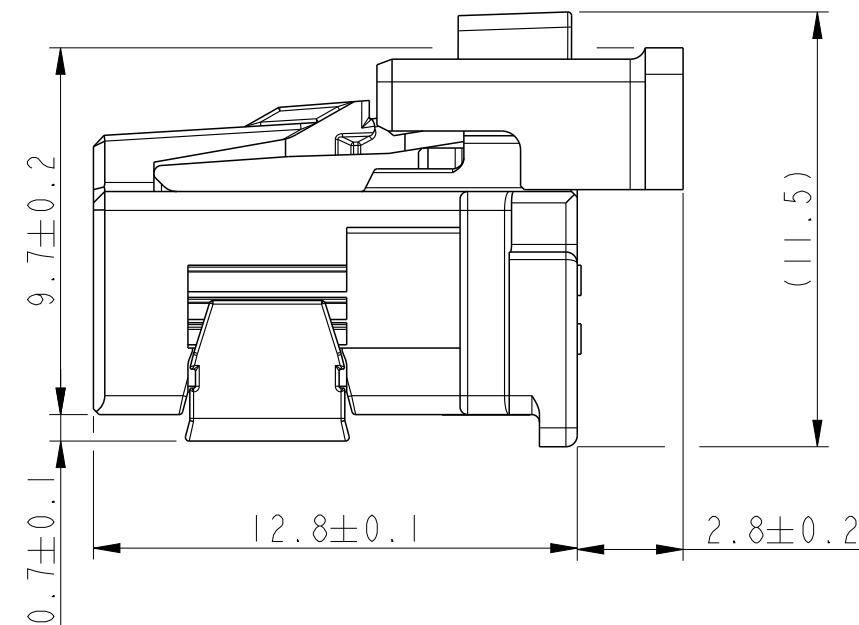
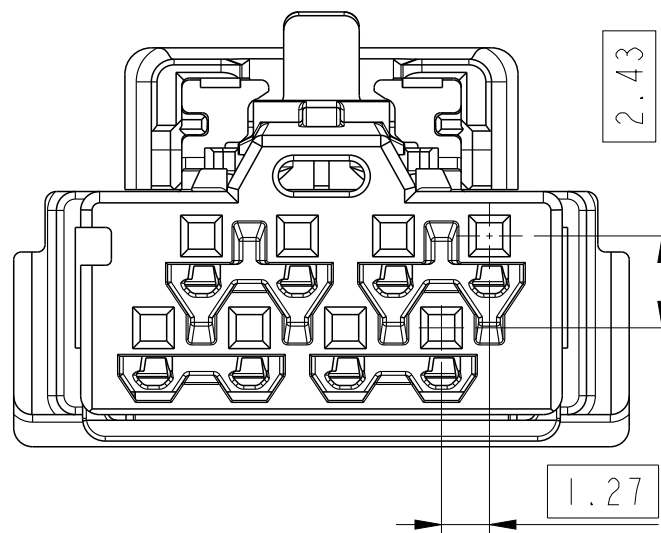
PRODUCT DESCRIPTION CODE :

10155504-A0XX LF

CODING TYPE :
 A = CODING A
 B = CODING B
 C = CODING C

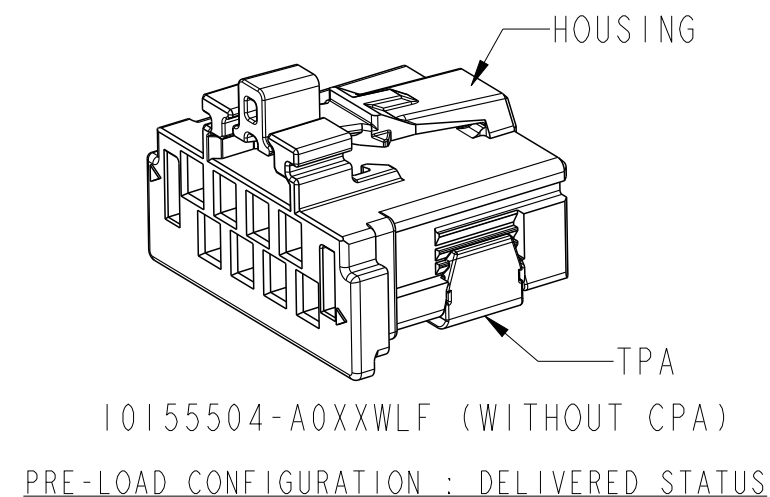
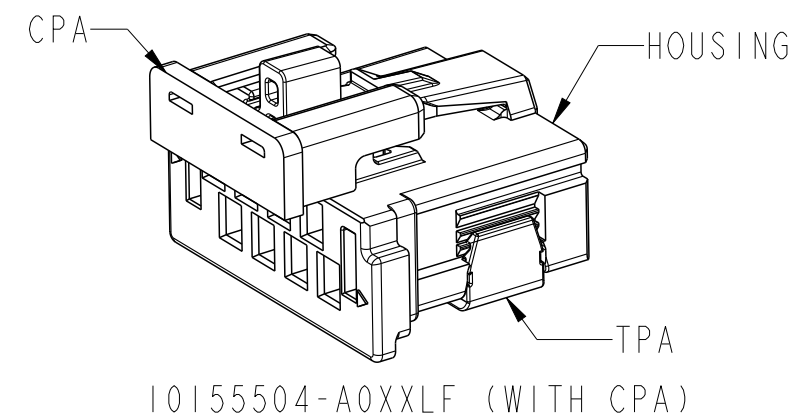
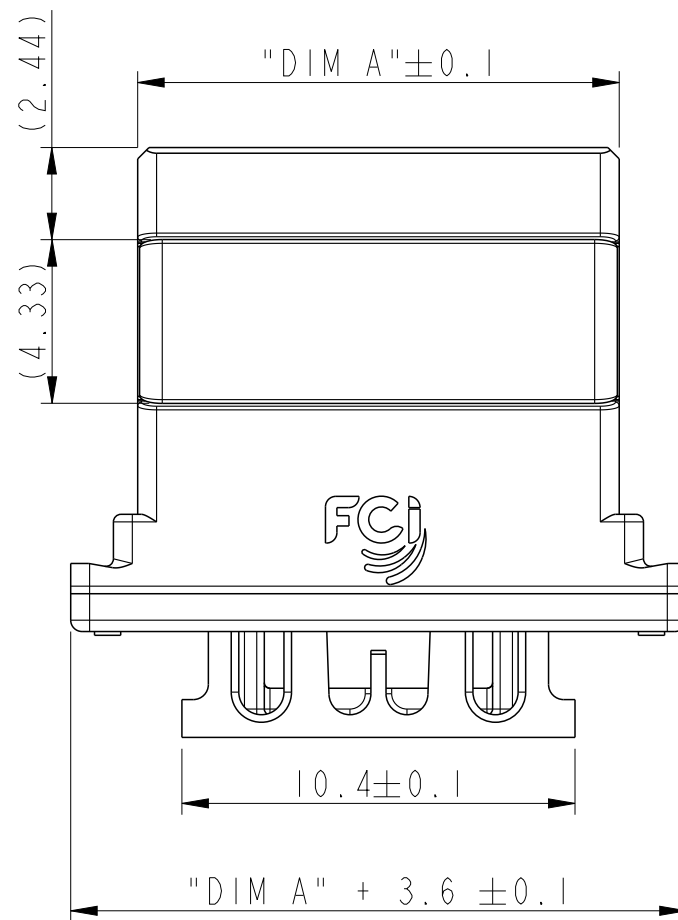
RoHS COMPATIBLE
 FOR CUSTOMER CODE:
 BLANK = GENERAL USE
 BLANK = WITH CPA
 W = WITHOUT CPA

NUMBER OF POSITIONS : 02 TO 16



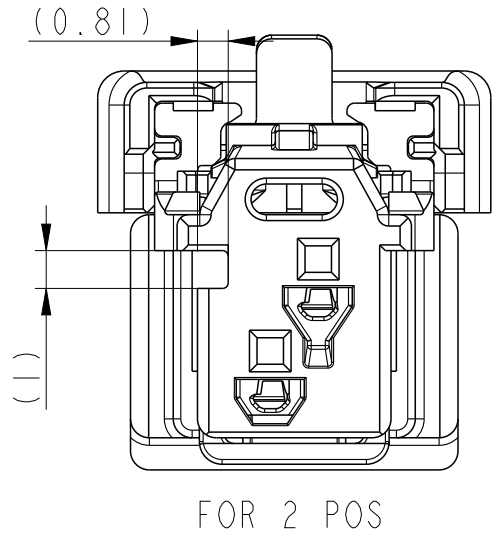
NOTES:

- 1 - MATERIAL:
 HIGH TEMPERATURE THERMOPLASTIC UL94 V-0
 HOUSING AND TPA : COLOR BLACK
 CPA : COLOR RED
- 2 - FOR USE WITH MINITEK μ SPACE CTW TERMINALS :
 AWG 22 TO AWG 28, SERIES 10155447
- 3 - TO BE MATED WITH MINITEK MicroSpaceXS HEADERS SERIES
 10155500, 10155502, 10155520
- 4 - PRODUCT SPECIFICATION : GS-12-1634
 PACKAGING SPECIFICATION : GS-14-2777
 APPLICATION SPECIFICATION : GS-20-0657
- 5 - THE PRODUCT IS NOT INTENDED TO BE EXPOSED TO ANY
 SOLDER PROCESS.
- 6 - RoHS COMPATIBLE PRODUCT SPECIFICATIONS
 a - LABELLING :
 MEETS PACKAGING SPECS AS PER GS-14-920
 b - LEGAL STATEMENT :
 SEE GS-47-0004.

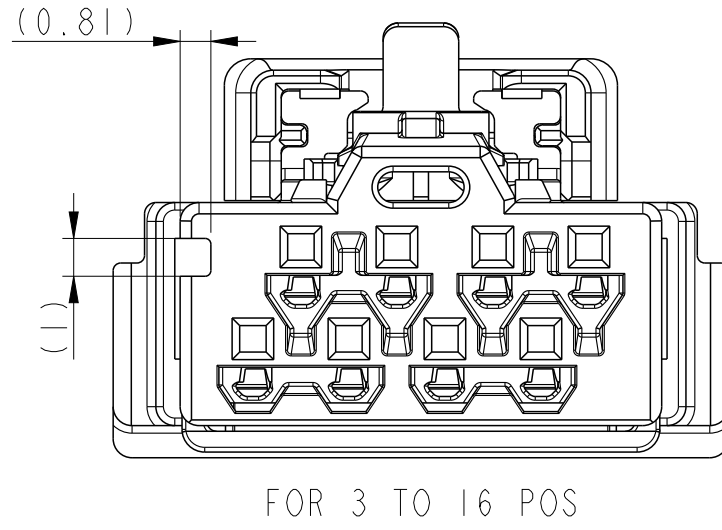


spec ref	dr	Sawanth, Ambaa	2020/06/01	projection	mm	size	A3	scale	5:1
tolerance std	eng	Cyril Jeune	2021/05/17			ecn no	ELX-F-40933-1	rel level	Released
ISO 406 ISO 1101	chr	Hyppias, Arnau	2021/05/17						
surface	appr	Vallière, Jérô	2021/05/17			dwg no	10155504	rev	B
ISO 1302	TOLERANCES UNLESS OTHERWISE SPECIFIED linear: 0.X ±0.3, 0.XX ±0.1, 0.XXX - angular: 0° ±2°		cat. no.	-	Product - Customer Drw	sheet 1 of 3			

COD A VIEWS AND DIMENSIONS

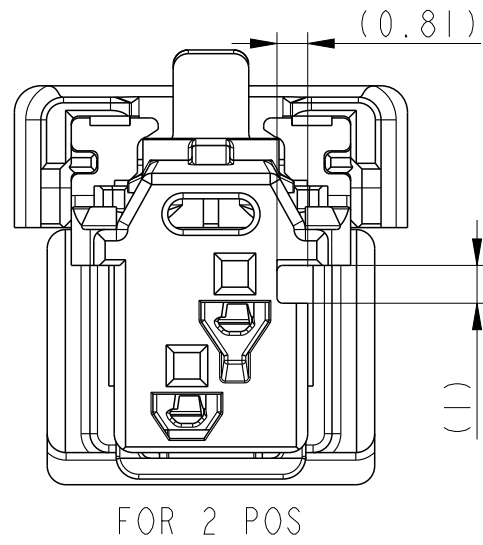


FOR 2 POS

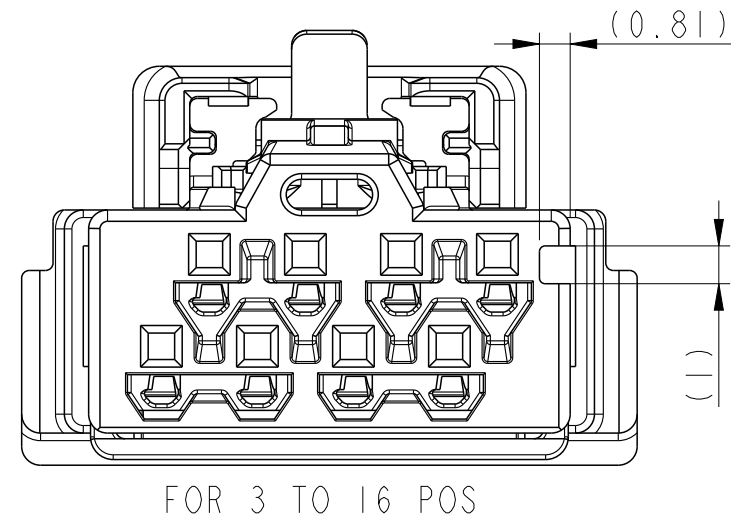


FOR 3 TO 16 POS

COD B VIEWS AND DIMENSIONS

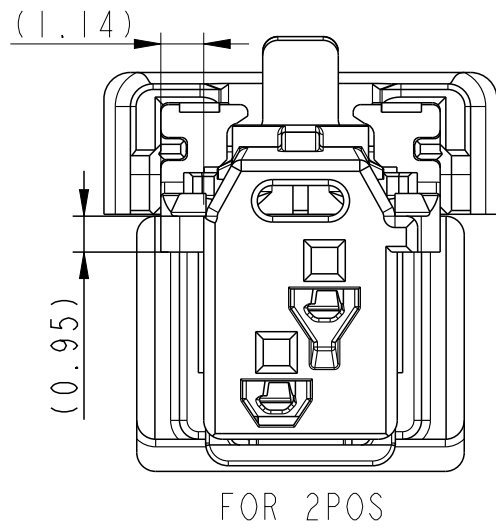


FOR 2 POS

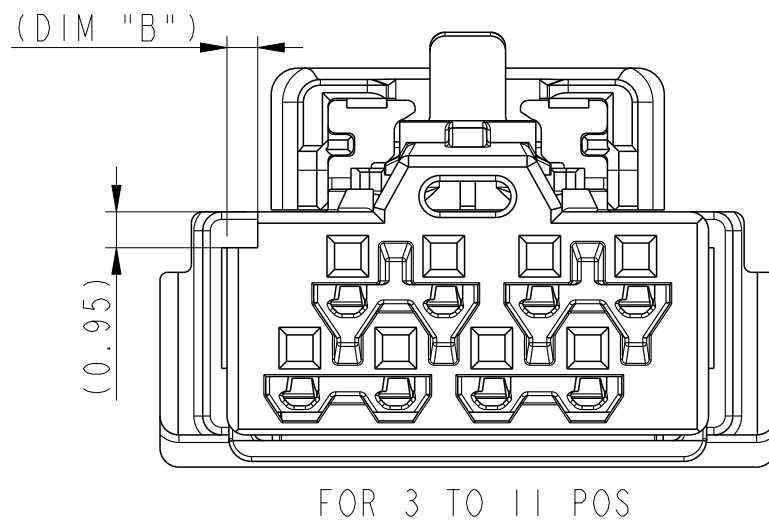


FOR 3 TO 16 POS

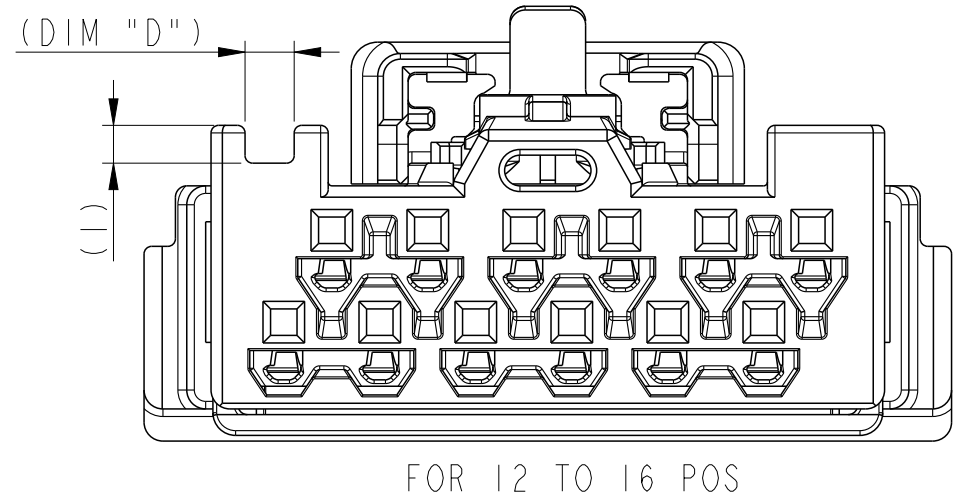
COD C VIEWS AND DIMENSIONS



FOR 2POS

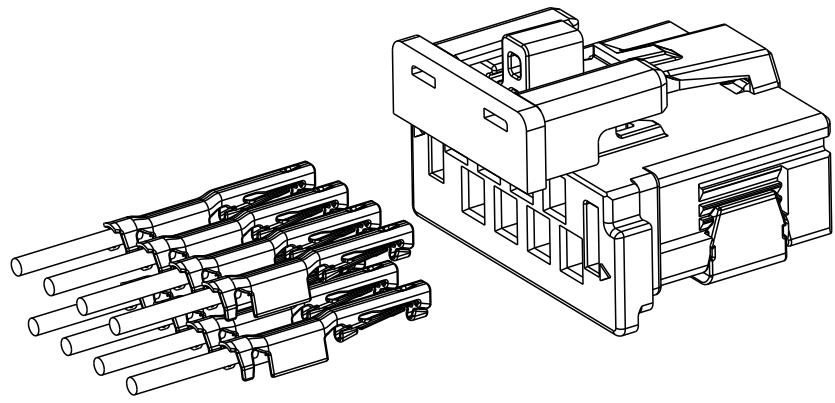


FOR 3 TO 11 POS

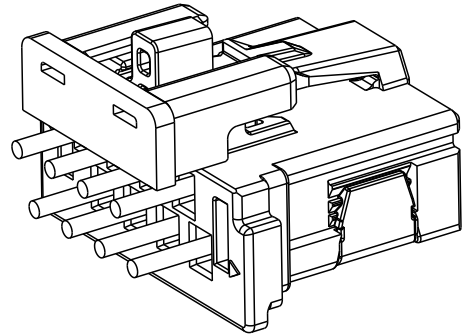


FOR 12 TO 16 POS

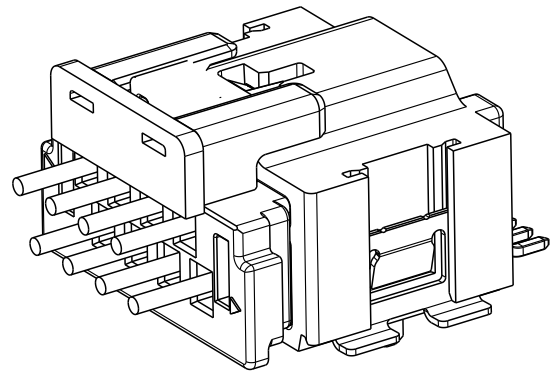
spec ref	dr	Sawanth, Ambaa	2020/06/01	projection	mm	size	A3	scale	5:1	
tolerance std	eng	Cyril Jeune	2021/05/17			ecn no	ELX-F-40933-1			
ISO 406 ISO 1101	chr	Hyppias, Arnau	2021/05/17			rel level	Released			
surface	linear	0.X	±0.3		RECEIPT ASSY STG TOP LATCH MINITEK MicroSpaceXS	dwg no	10155504		rev	B
		0.XX	±0.10							
ISO 1302	angular	0°	±2°	cat. no.	-	Product - Customer Drw	sheet 2 of 3			



PRE-LOAD CONFIGURATION FOR TERMINAL INSERTION

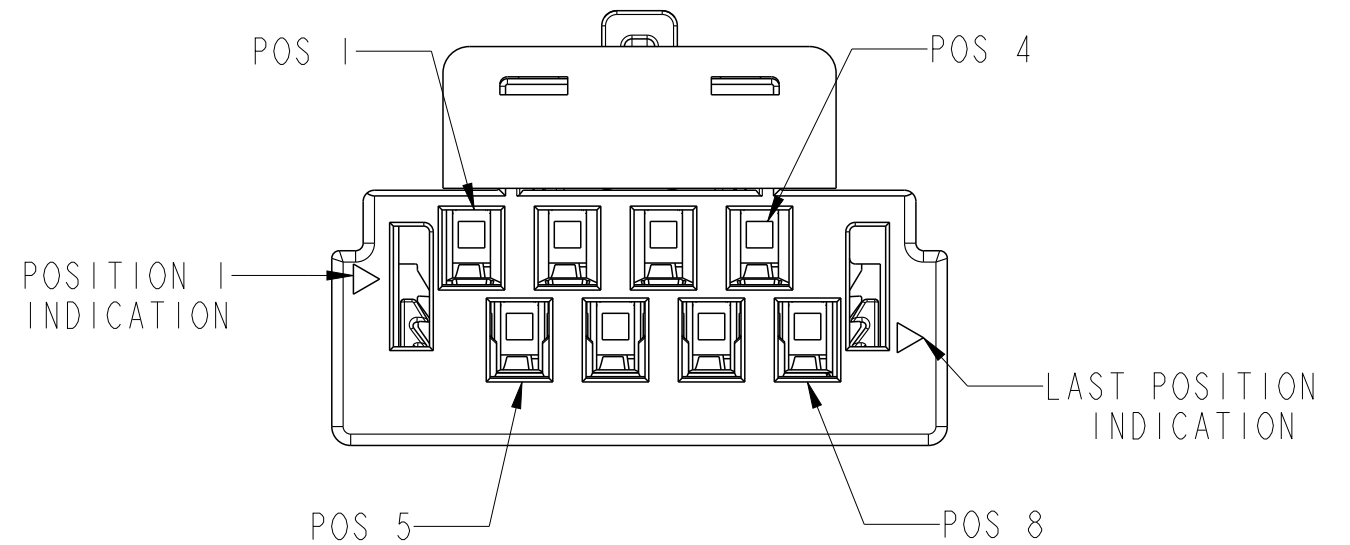


FINAL LOAD CONFIGURATION WITH INSERTED TERMINAL



FULL HEADER AND RECEPTACLE ASSEMBLY CONFIGURATION

PART NO.	NO. OF POSN	DIM "A"	DIM "B"	DIM "C"	DIM "D"
10155504-A002LF	02	05.12	N/A	N/A	N/A
10155504-A003LF	03	06.39	0.64	N/A	N/A
10155504-A004LF	04	07.66	0.81	N/A	N/A
10155504-A005LF	05	08.93	0.77	N/A	N/A
10155504-A006LF	06	10.20	0.81	N/A	N/A
10155504-A007LF	07	11.47	0.81	N/A	N/A
10155504-A008LF	08	12.74	0.81	N/A	N/A
10155504-A009LF	09	14.01	0.81	N/A	N/A
10155504-A010LF	10	15.28	0.81	N/A	N/A
10155504-A011LF	11	16.55	0.81	N/A	N/A
10155504-A012LF	12	17.82	N/A	2.67	1.30
10155504-A013LF	13	19.09	N/A	2.67	1.30
10155504-A014LF	14	20.36	N/A	2.80	1.70
10155504-A015LF	15	21.63	N/A	3.12	1.70
10155504-A016LF	16	22.90	N/A	3.45	1.70



POSITION NUMBER INDICATION FOR 8POS VERSION

SCALE 5:1

spec ref	dr	Sawanth, Ambaa	2020/06/01	projection	mm	size	A3	scale	4:1
tolerance std	eng	Cyril Jeune	2021/05/17			ecn no	ELX-F-40933-1	rel level	Released
ISO 406 ISO 1101	chr	Hyppias, Arnau	2021/05/17						
surface	appr	Vallière, Jérô	2021/05/17			dwg no	10155504	rev	B
ISO 1302				TOLERANCES UNLESS OTHERWISE SPECIFIED linear: 0.X ±0.3, 0.XX ±0.10, 0.XXX ± angular: 0° ±2°		cat. no.	-	Product - Customer Drw	sheet 3 of 3