

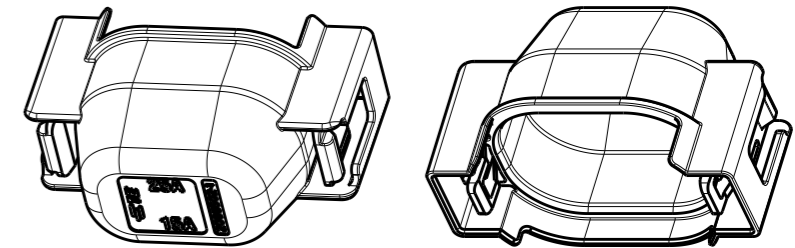
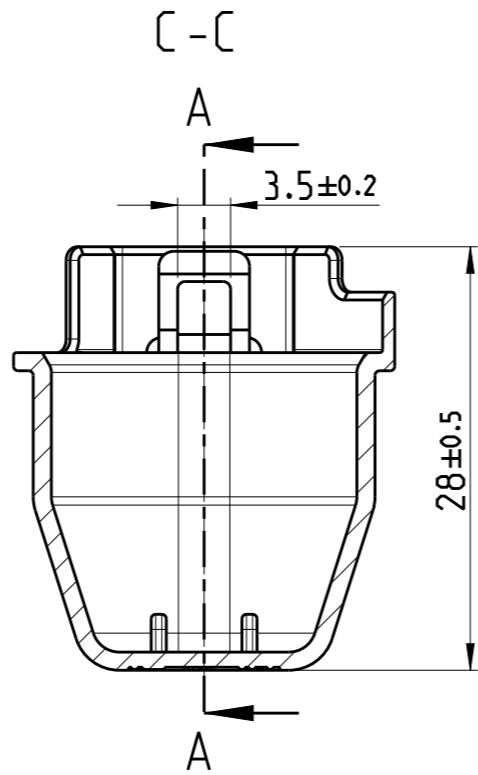
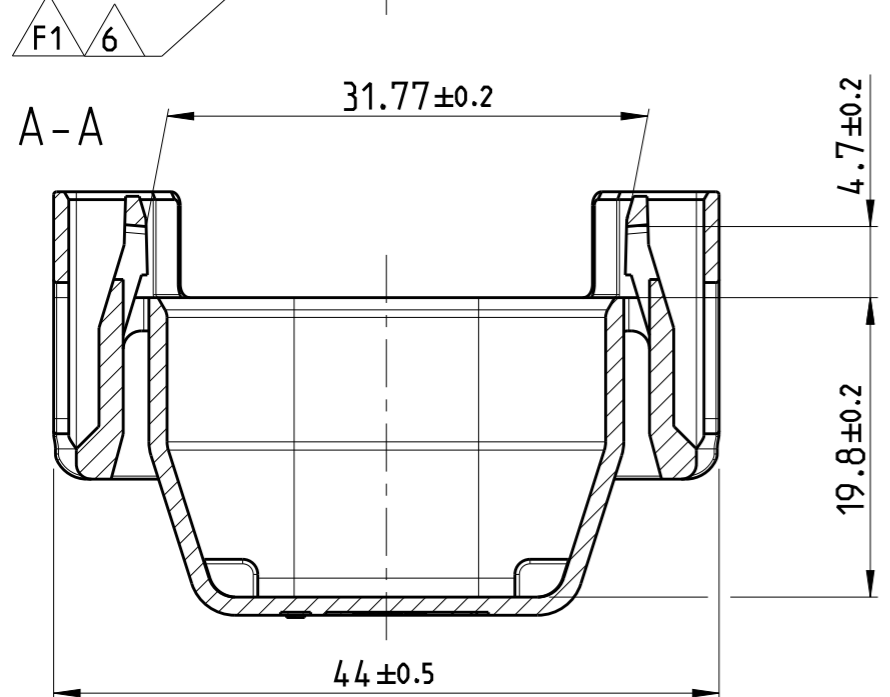
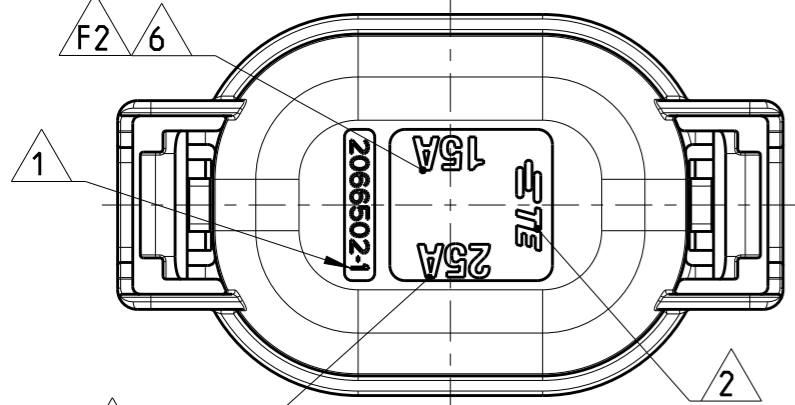
THIS DRAWING IS UNPUBLISHED  
 (C) COPYRIGHT 2014 Tyco Electronics AMP GmbH ALL RIGHTS RESERVED.  
 RELEASED FOR PUBLICATION 2014

LOC IT  
 DIST -

REVISIONS			DATE	DWN	APVD
P	LTR	DESCRIPTION			
A1		ECR-14-010210	08JULY2014	KG	RK
A2		ECR-16-015264	02NOV2016	CS	VVB
A3		ECR-17-002833	27FEB2017	CS	VVB
B		ECR-19-014414	16SEP2019	STK	VVB

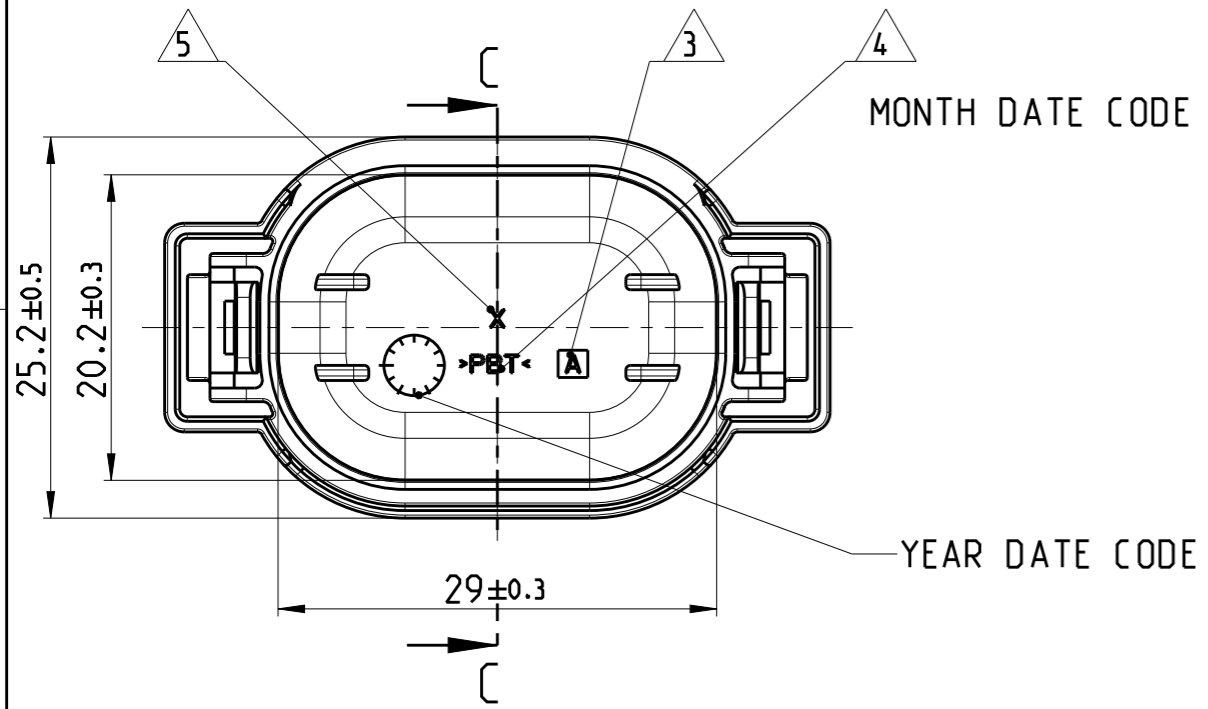
TABLE 1  
 FUSE CURRENT MATRIX

PART NO.	2066502-1 1-2066502-1	2066502-2 1-2066502-2	2066502-3 1-2066502-3	2066502-4 1-2066502-4
F1	25A	25A	-	15A
F2	15A	10A	-	10A



- 1 TE PART NO.
- 2 TE TRADEMARK
- 3 PART REVISION INDEX
- 4 MATERIAL IDENTIFICATION
- 5 MOLD CAVITY IDENTIFICATION NUMBER
- 6 MARKING FOR CURRENT RATING
- 7 15% MAX. PERMITTED REGRIND MATERIAL, PROCESSED IN CLOSED LOOP.

8. DRAWING SHOWN FOR P/N: 2066502-1. REFER TABLE 1 FOR DETAILS REGARDING OTHER PART NUMBERS.



2066502-1  
 AS SHOWN

1-2066502-4	A	COVER, MINI FUSE 2POS.	PBT(Source 2)	5	BLACK	8
1-2066502-3	A	COVER, MINI FUSE 2POS.		5	BLACK	7
1-2066502-2	A	COVER, MINI FUSE 2POS.		5	GRAY	6
1-2066502-1	A	COVER, MINI FUSE 2POS.		5	BLACK	5
2066502-3	A	COVER, MINI FUSE 2POS.	PBT(Source 1)	5	BLACK	3
2066502-2	A	COVER, MINI FUSE 2POS.		5	GRAY	2
2066502-1	A	COVER, MINI FUSE 2POS.		5	BLACK	1
TE PART NO	REV	DESCRIPTION	MATERIAL	WEIGHT [g]	SURFACE COLOR	ITEM

THIS DRAWING IS A CONTROLLED DOCUMENT.

DWN VISHWA. A 19JUN2012  
 CHK MADHUL. L 13JUL2012  
 APVD MADHUL. L 13JUL2012

DIMENSIONS: mm  
 TOLERANCES UNLESS OTHERWISE SPECIFIED: DIN 16901-140

0 PLC  
 1 PLC  
 2 PLC  
 3 PLC  
 4 PLC  
 ANGLES ±1°  
 FINISH -

MATERIAL SEE TABLE

PRODUCT SPEC 108-72108  
 APPLICATION SPEC -  
 WEIGHT -

**TE** TE Connectivity  
 NAME COVER, 2POS MINIFUSE BOX HOUSING

SIZE A3 CAGE CODE 00779 DRAWING NO C-2066502 RESTRICTED TO

CUSTOMER DRAWING SCALE 2:1 SHEET 1 OF 1 REV B