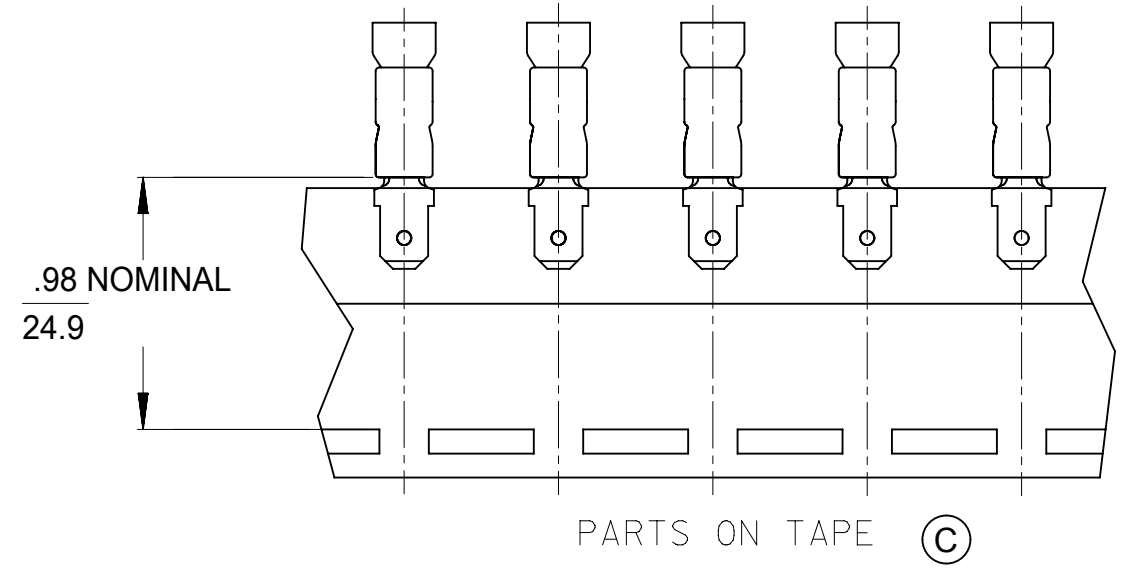
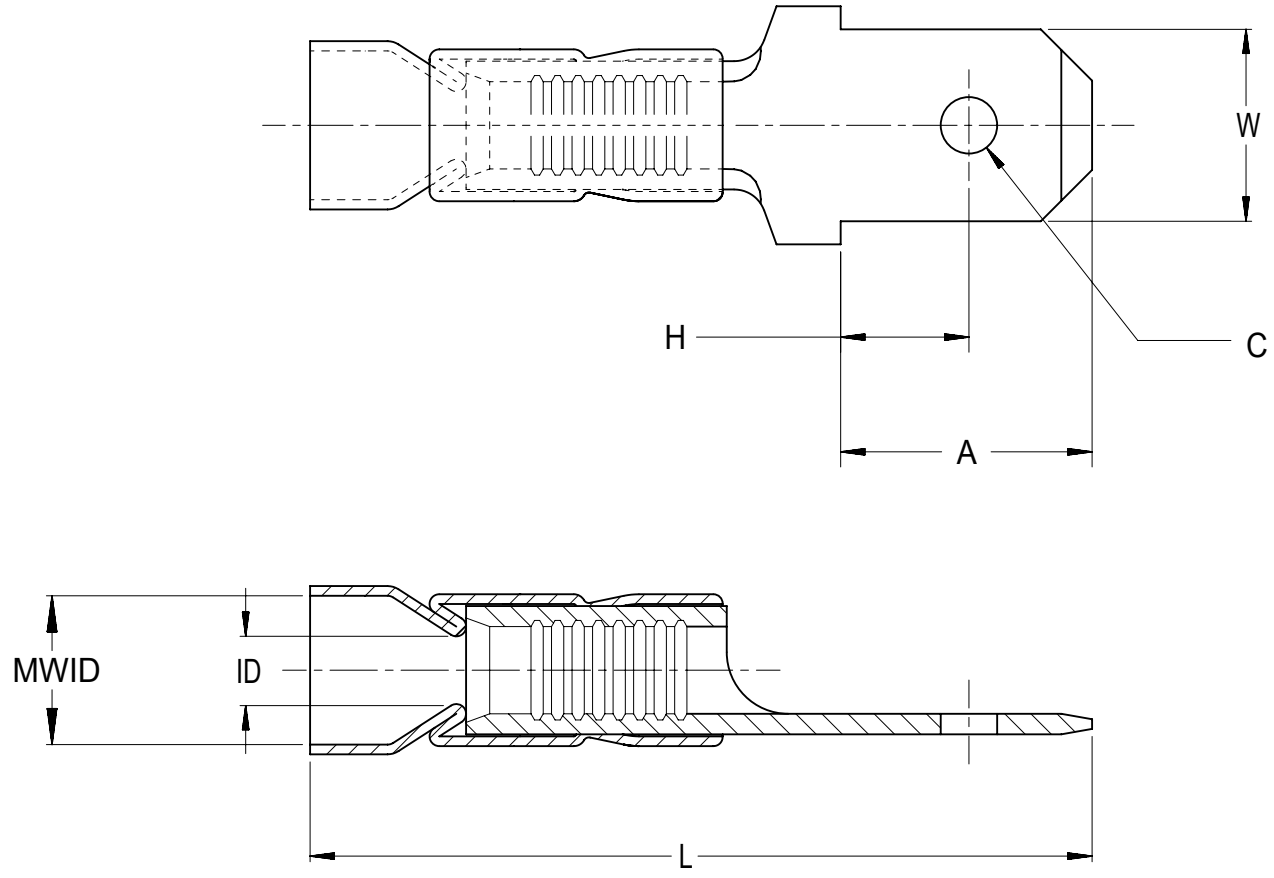


10	9	8	7	6	5	4	3	2	1				
LOOSE PC MATERIAL NO.	LOOSE PC ENGINEER'G NO.	ON TAPE MATERIAL NO.	ON TAPE ENGINEERING NO.	WIRE RANGE	ID MIN	MWID	$L \pm \frac{.03}{0.8}$	$W \pm \frac{.005}{0.13}$	A MIN	H MAX	$C \pm \frac{.007}{0.18}$	TERMINAL MAT'L, THICKNESS - REF	TERMINAL FINISH
190240001	AMCT-4	190240004	AMCT-4T	22-18AWG (0.38-.96mm ²)	.054/1.37	.138/3.50	.857/21.77	.250/6.35	.30/7.6	.14/3.6	.075/1.91	BRASS, .032/.081	ZINC CHROMATE
190240007	MCT-4	-	-	16-14 AWG (1.23-1.94mm ²)	.081/2.06	.169/4.29	.857/21.77	.250/6.35	.30/7.6	.14/3.6	.075/1.91	BRASS, .032/0.81	ZINC CHROMATE
190240005	CMCT-4	190240006	CMCT-4T	12-10AWG (3.09-5.01mm ²)	.128/3.25	.232/5.89	.994/25.25	.250/6.35	.30/7.6	.14/3.6	.075/1.91	BRASS, .032.081	ZINC CHROMATE
190240002	AMCT-47	-	-	22-18AWG (0.38-.96mm ²)	.054/1.37	.138/3.50	.762/19.36	.187/4.75	.24/6.1	.13/3.3	.055/1.40	BRASS, .020/0.51	ZINC CHROMATE
190240008	MCT-47	-	-	16-14 AWG (1.23-1.94mm ²)	.081/2.06	.169/4.29	.762/19.36	.187/4.75	.24/6.1	.13/3.3	.055/1.40	BRASS, .020/0.51	ZINC CHROMATE

© ENTIRE CHART



- NOTES:
1. TERMINAL MATERIAL & FINISH: SEE CHART
 2. FERRULE:
MATERIAL: BRASS
FINISH: TIN
 3. TAB DIMENSIONS CONFORM TO UL310 SPECIFICATIONS.
 4. PART IS ROHS COMPLIANT.
 5. MWID = MAXIMUM WIRE INSULATION DIAMETER

THIS DRAWING CONTAINS INFORMATION THAT IS PROPRIETARY TO MOLEX ELECTRONIC TECHNOLOGIES, LLC AND SHOULD NOT BE USED WITHOUT WRITTEN PERMISSION											
DIMENSION UNITS		SCALE		CURRENT REV DESC: OBSOLETE PART NUMBER						molex	
IN/MM		4:1									
GENERAL TOLERANCES (UNLESS SPECIFIED)				EC NO: 641324		2020/03/16		MALE CONNECTOR TERMINAL, VIBRAKRIMP .250 X .032 TAB			
				DRWN: AKUMAR19		2020/08/27					
4 PLACES ±				CHK'D: GGA		2020/08/27		PRODUCT CUSTOMER DRAWING			
3 PLACES ±				APPR: GGA		2020/08/27					
2 PLACES ± 0.13				INITIAL REVISION:		1992/02/14		DOCUMENT NUMBER		DOC TYPE DOC PART REVISION	
1 PLACE ± 0.25				DRWN: RCM		1992/02/14		SD-19024-001		PSD 001 D	
0 PLACES ±				APPR: RWD		1992/02/14		MATERIAL NUMBER		CUSTOMER	
ANGULAR TOL ± 0.5°				THIRD ANGLE PROJECTION		DRAWING		SERIES		SHEET NUMBER	
DRAFT WHERE APPLICABLE MUST REMAIN WITHIN DIMENSIONS				B-SIZE		19024		SEE TABLE		GENERAL MARKET	