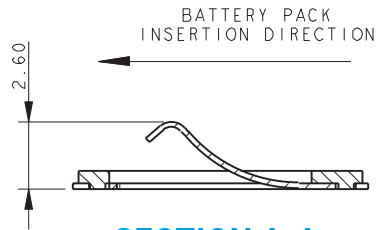




# Ultra-Low Profile 2.5mm Pitch Battery-9155-100

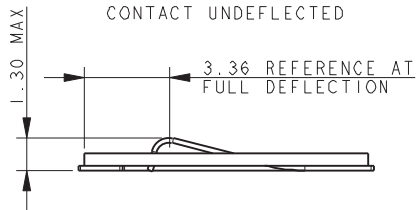
2 Position – No Stop

## 2 WAY LOW PROFILE CONNECTOR NO STOP

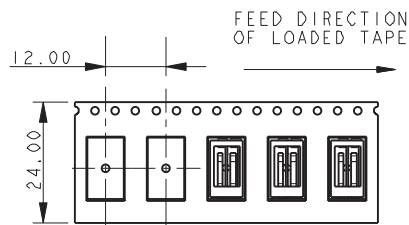
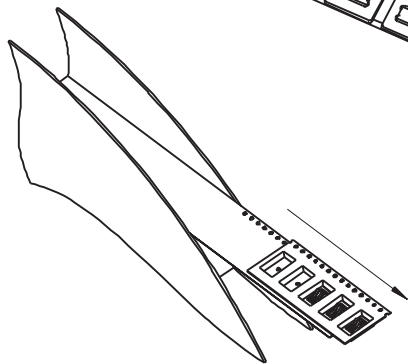
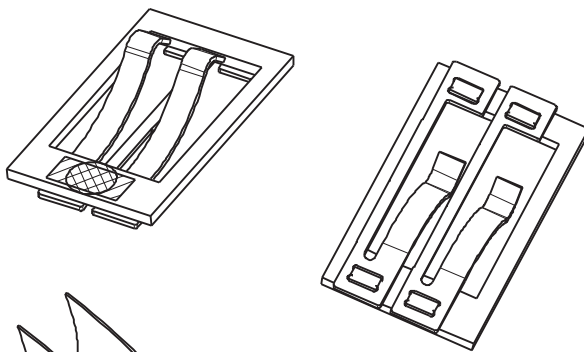


### SECTION A-A

CONTACT UNDEFLECTED

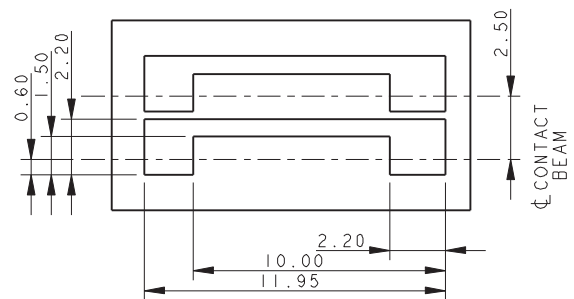
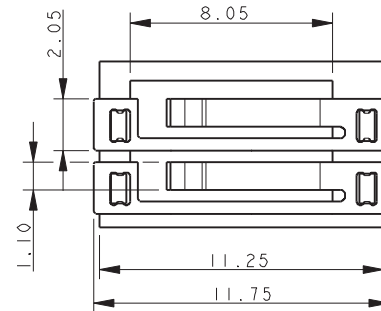
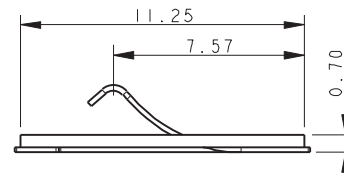
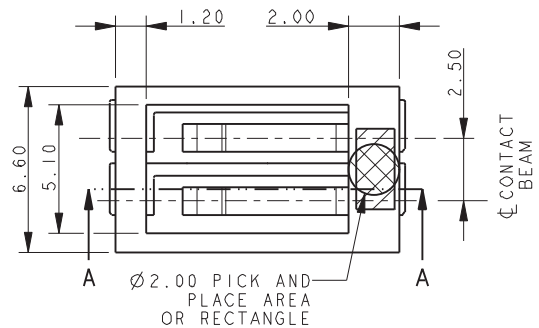


CONTACT SHOWN WITH STOP RESTING ON PCB



### PACKING DETAILS

REEL QTY	1500
LEADER	500MM
TRAILER	500MM



### SUGGESTED PCB LAYOUT

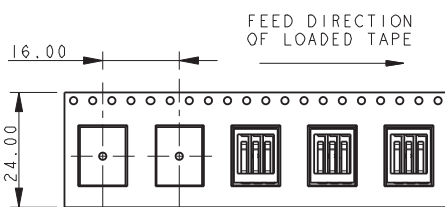
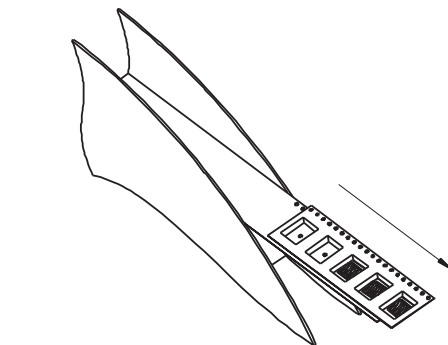
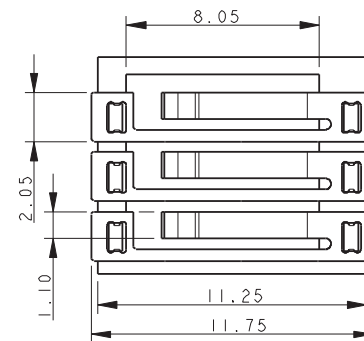
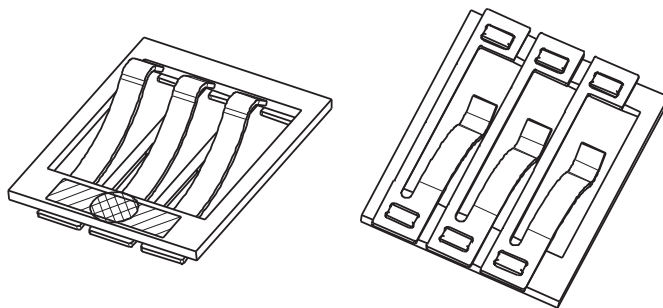
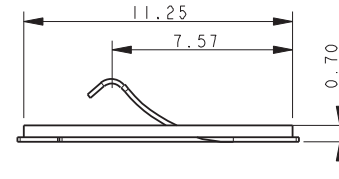
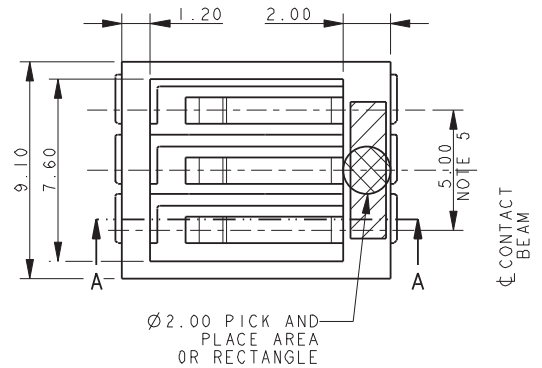
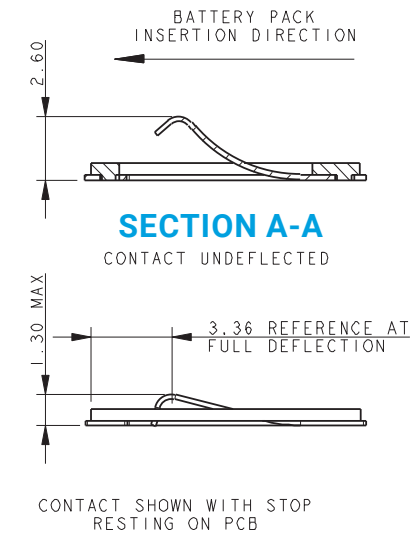
#### NOTES:

1. FOR FULL PRODUCT SPECIFICATION REFER TO ELCO SPECIFICATION 201-01-094.
2. MATERIALS: CONTACT - COPPER ALLOY,
3. INSULATOR - GLASS FILLED NYLON. COLOR: BLACK.
4. TOLERANCE  $\pm 0.20$  UNLESS SPECIFIED.
5. PACKING DETAILS SEE TABLE.
6. FOR MATING PAD DETAILS REFER TO PAGE 105.

# Ultra-Low Profile 2.5mm Pitch Battery-9155-100

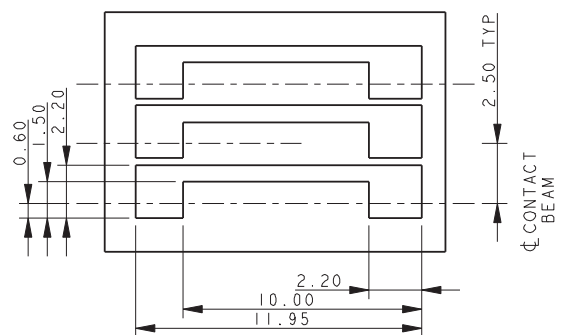
3 Position – No Stop

## 3 WAY LOW PROFILE CONNECTOR NO STOP



### PACKING DETAILS

REEL QTY	1200
LEADER	500MM
TRAILER	500MM



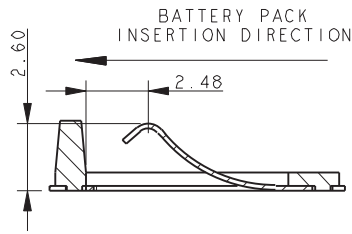
### SUGGESTED PCB LAYOUT

- NOTES:
1. FOR FULL PRODUCT SPECIFICATION REFER TO ELCO SPECIFICATION 201-01-094.
  2. MATERIALS: CONTACT - COPPER ALLOY, INSULATOR - GLASS FILLED NYLON. COLOR: BLACK.
  3. TOLERANCE  $\pm 0.20$  UNLESS SPECIFIED.
  4. PACKING DETAILS SEE TABLE.
  5. 2 EQUAL PITCHES @ 2.50 = 5.00.
  6. FOR MATING PAD DETAILS REFER TO PAGE 105.

# Ultra-Low Profile 2.5mm Pitch Battery-9155-100

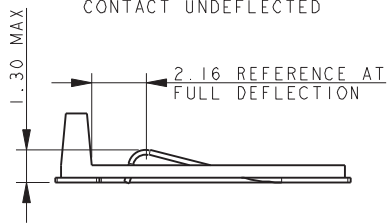
## 2 Position – With Stop

### 2 WAY LOW PROFILE CONNECTOR WITH STOP

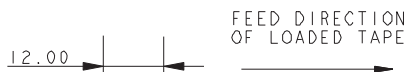
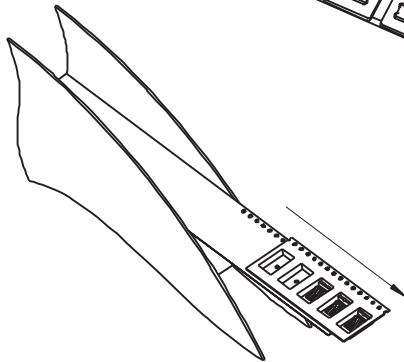
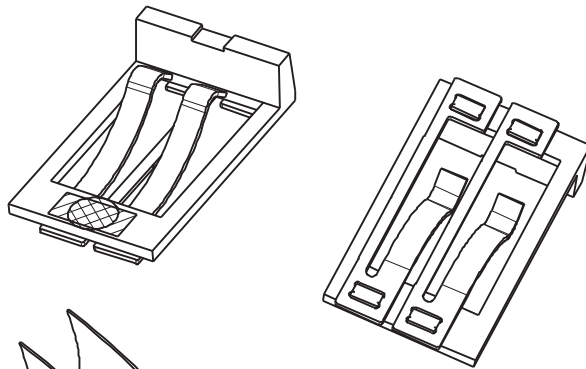


#### SECTION A-A

CONTACT UNDEFLECTED

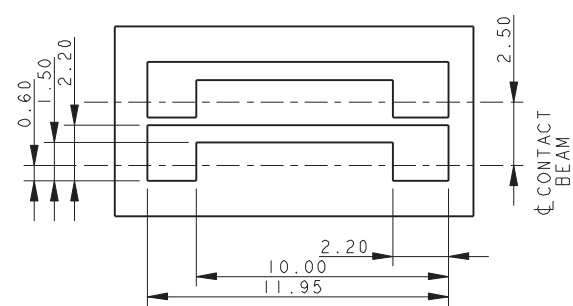
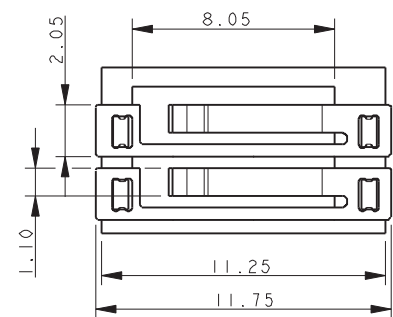
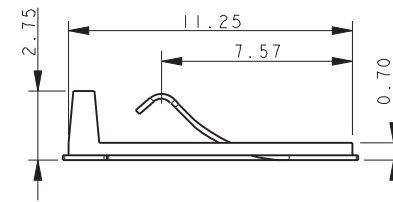
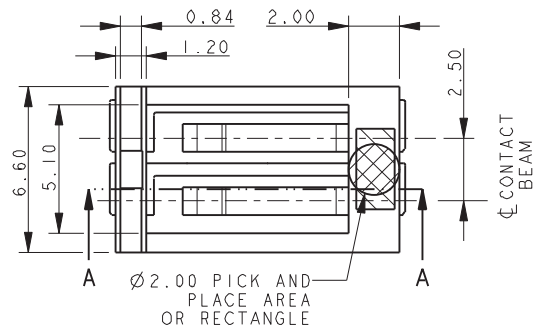


CONTACT SHOWN WITH STOP RESTING ON PCB



#### PACKING DETAILS

REEL QTY	1500
LEADER	500MM
TRAILER	500MM



#### SUGGESTED PCB LAYOUT

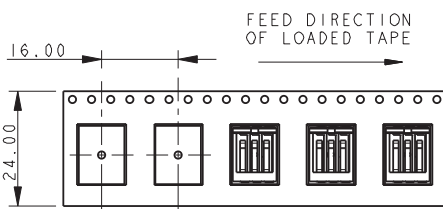
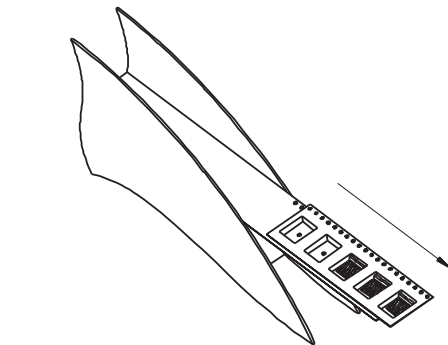
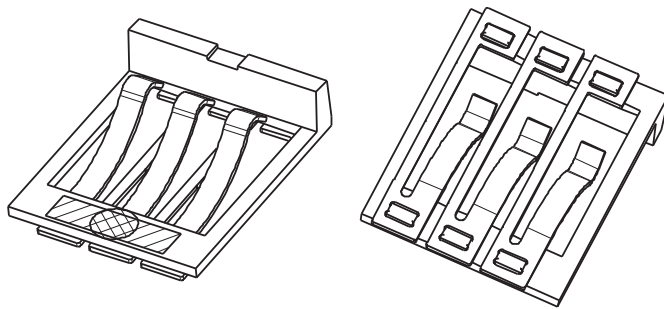
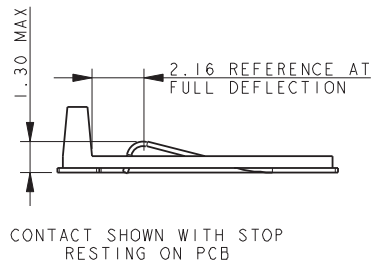
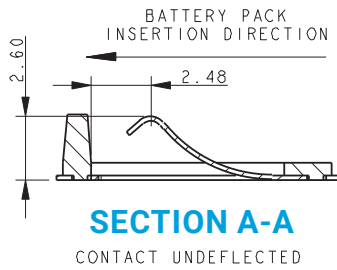
#### NOTES:

1. FOR FULL PRODUCT SPECIFICATION REFER TO ELCO SPECIFICATION 201-01-094.
2. MATERIALS: CONTACT - COPPER ALLOY,
3. INSULATOR - GLASS FILLED NYLON. COLOR: BLACK.
4. TOLERANCE  $\pm 0.20$  UNLESS SPECIFIED.
5. PACKING DETAILS SEE TABLE.
6. FOR MATING PAD DETAILS REFER TO PAGE 105.

# Ultra-Low Profile 2.5mm Pitch Battery-9155-100

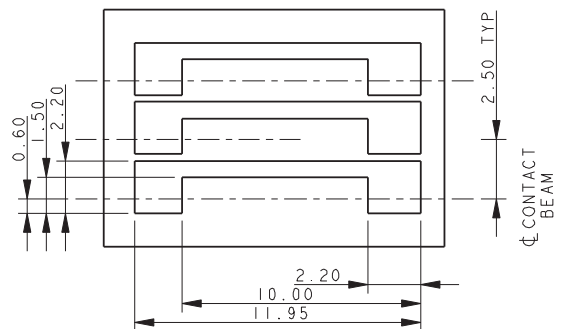
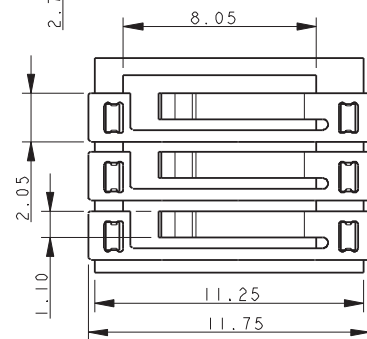
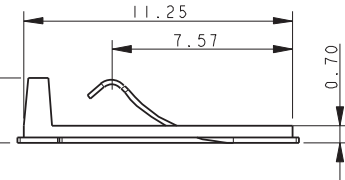
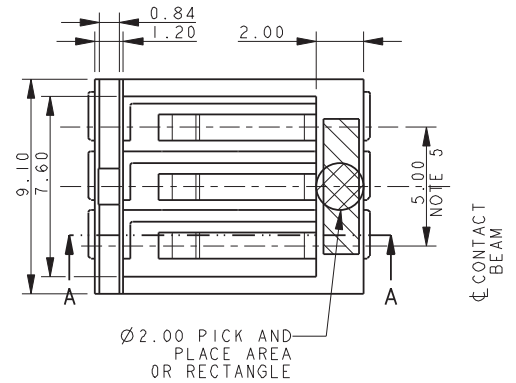
## 3 Position – With Stop

### 3 WAY LOW PROFILE CONNECTOR WITH STOP



#### PACKING DETAILS

REEL QTY	1200
LEADER	500MM
TRAILER	500MM



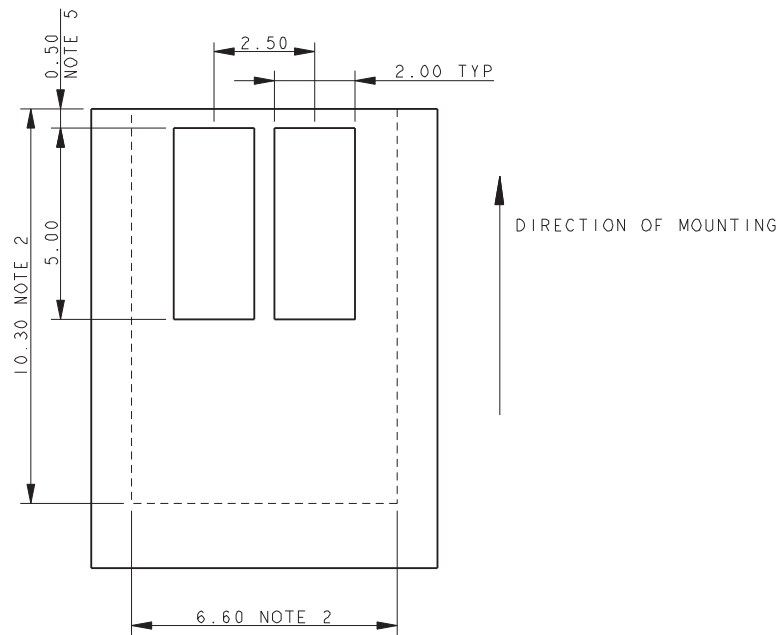
#### SUGGESTED PCB LAYOUT

- NOTES:
1. FOR FULL PRODUCT SPECIFICATION REFER TO ELCO SPECIFICATION 201-01-094.
  2. MATERIALS: CONTACT - COPPER ALLOY, INSULATOR - GLASS FILLED NYLON. COLOR: BLACK.
  3. TOLERANCE  $\pm 0.20$  UNLESS SPECIFIED.
  4. PACKING DETAILS SEE TABLE.
  5. 2 EQUAL PITCHES @ 2.50 = 5.00.
  6. FOR MATING PAD DETAILS REFER TO PAGE 105.

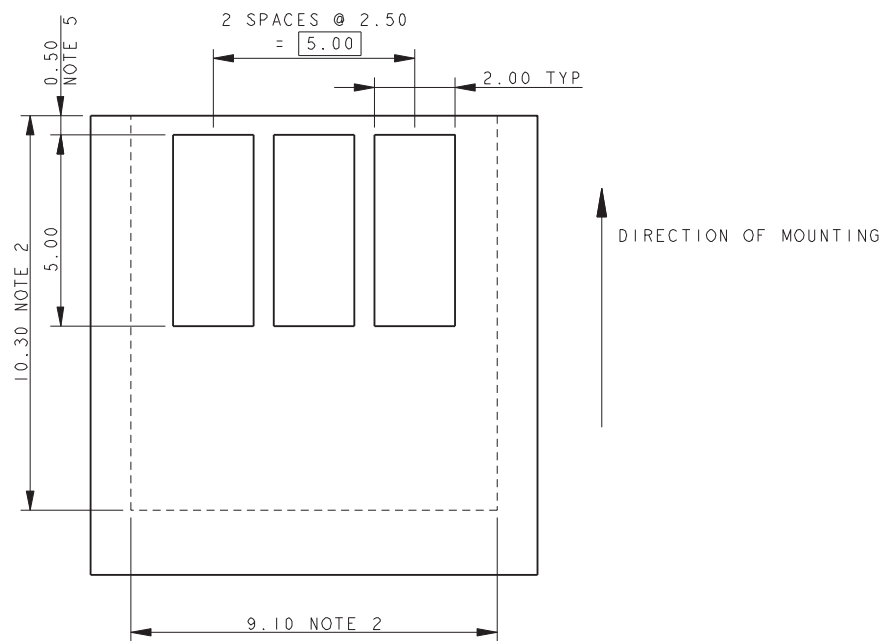
# Ultra-Low Profile 2.5mm Pitch Battery-9155-100

## Low Profile Mating Pads

### LOW PROFILE MATING PADS



### 2 WAY MATING PADS



### 3 WAY MATING PADS

#### NOTES:

1. SUGGESTED MATING PADS FOR LOW PROFILE BATTERY CONNECTORS.
2. OUTLIE OF CONNECTOR.
3. PREFERRED PLATING ON PADS GOLD OVER NICKEL.
4. REFERENCE DIMENSIONS.
5. DIMENSION TO EDGE OF BOARD FOR CONNECTORS WITH STOP.