

EDGE CARDS

PART NUMBER CODING

MATERIALS (Insulator/Contact)

T = PBT
(Consult Factory for Other Materials)

CONTACT MATERIAL

P = Phosphor Bronze
R = Brass

CONTACT FINISH (All platings have .000050" Nickel underplate)

Contact Surface	Termination
W = .000005" Gold	.000100" Tin
Z = .000010" Gold	.000100" Tin
X = .000030" Gold	.000100" Tin

T P W B 60 DKHN - T578RC

MODIFICATIONS (CONSULT FACTORY)

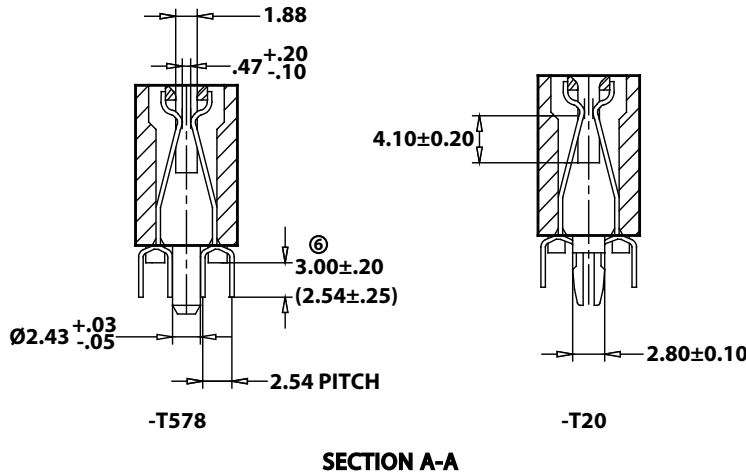
-T578RC = PCI Style with Plastic Guide Post (32 Bit, 3.3 or 5 Volt)
-T20RC = PCI Style with Metal Board Lock (32 Bit, 3.3 or 5 Volt)

DKHN = Dual Row Cantilever Contacts,
No Mounting Ears

NUMBER OF CONTACT POSITIONS
60 (11/49) Positions

CONTACT CENTERS
B = .050" [1.27mm]

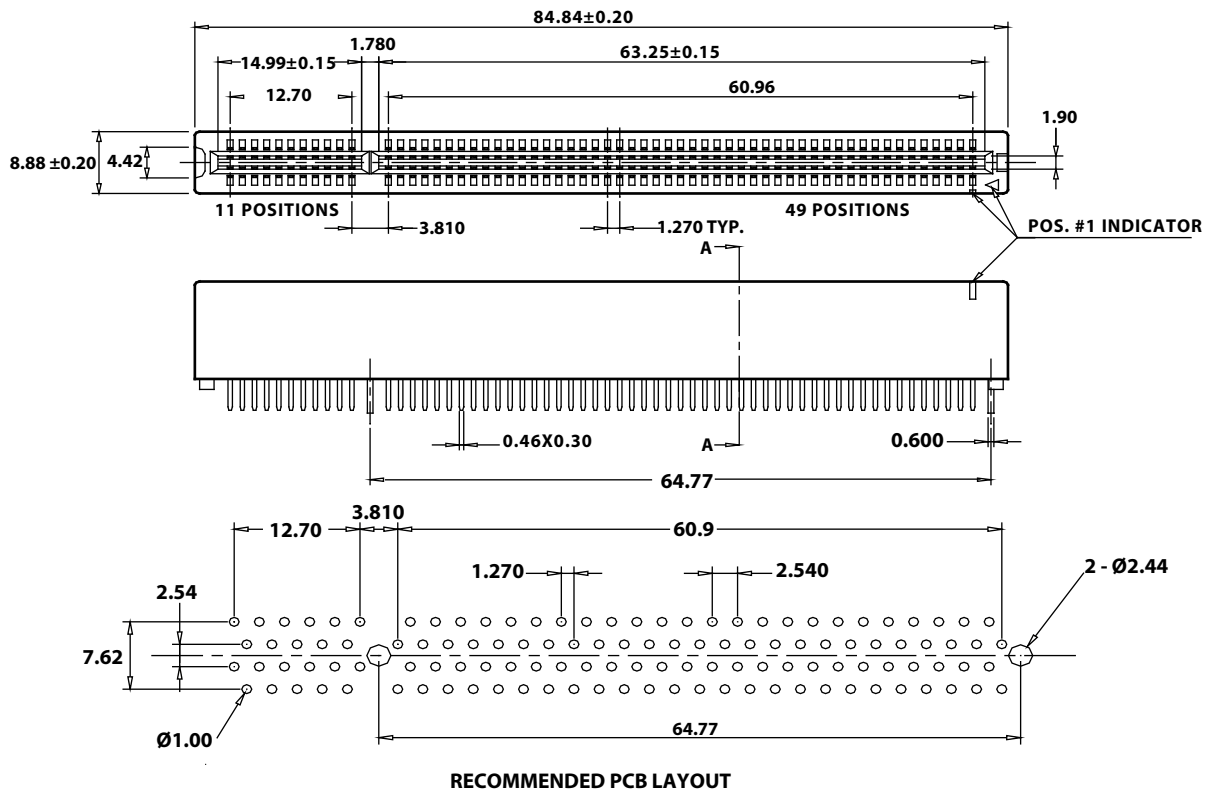
MODIFICATIONS



FEATURES

- * Cantilever Contacts
- * Accommodates .062 ± .008" PC board
- * PPS, PCT or PBT insulator
- * Molded-in key
- * 3 amp current rating
- * 150 grams normal force minimum
- * Consult Factory for More Details

DIMENSIONS (All dimensions are in Millimeters)



PART NUMBER CODING

MATERIALS (Insulator/Contact)

T = PBT
(Consult Factory for Other Materials)

CONTACT MATERIAL

P = Phosphor Bronze
R = Brass

CONTACT FINISH (All platings have .000050" Nickel underplate)

Contact Surface	Termination
W = .000005" Gold	.000100" Tin
Z = .000010" Gold	.000100" Tin
X = .000030" Gold	.000100" Tin

T R W B 092 DKHN -T20RC

MODIFICATIONS (CONSULT FACTORY)

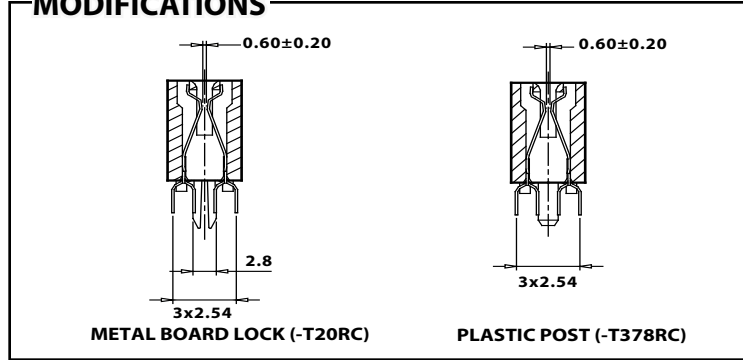
-T20RC = PCI Style With Metal Board Lock
-T378RC = PCI Style With Plastic Guide Post

DKHN = Dual Row Cantilever Contacts,
No Mounting Ears

NUMBER OF CONTACT POSITIONS
92

CONTACT CENTERS
B = .050" [1.27mm]

MODIFICATIONS



FEATURES

- * Cantilever Contacts
- * 64 Bit, 5.0V
- * Accommodates .062 ± .008" PC board
- * PPS or PBT insulator
- * Molded-in key
- * 3 amp current rating
- * 150 grams normal force minimum
- * Voltage rating: 250 VAC RMS
- * Insulation resistance: 1,000 Mega ohms Min
- * Temperature range: -55°C to +85°C

DIMENSIONS (All Dimensions are in Millimeters)

* Consult Factory For More Details

