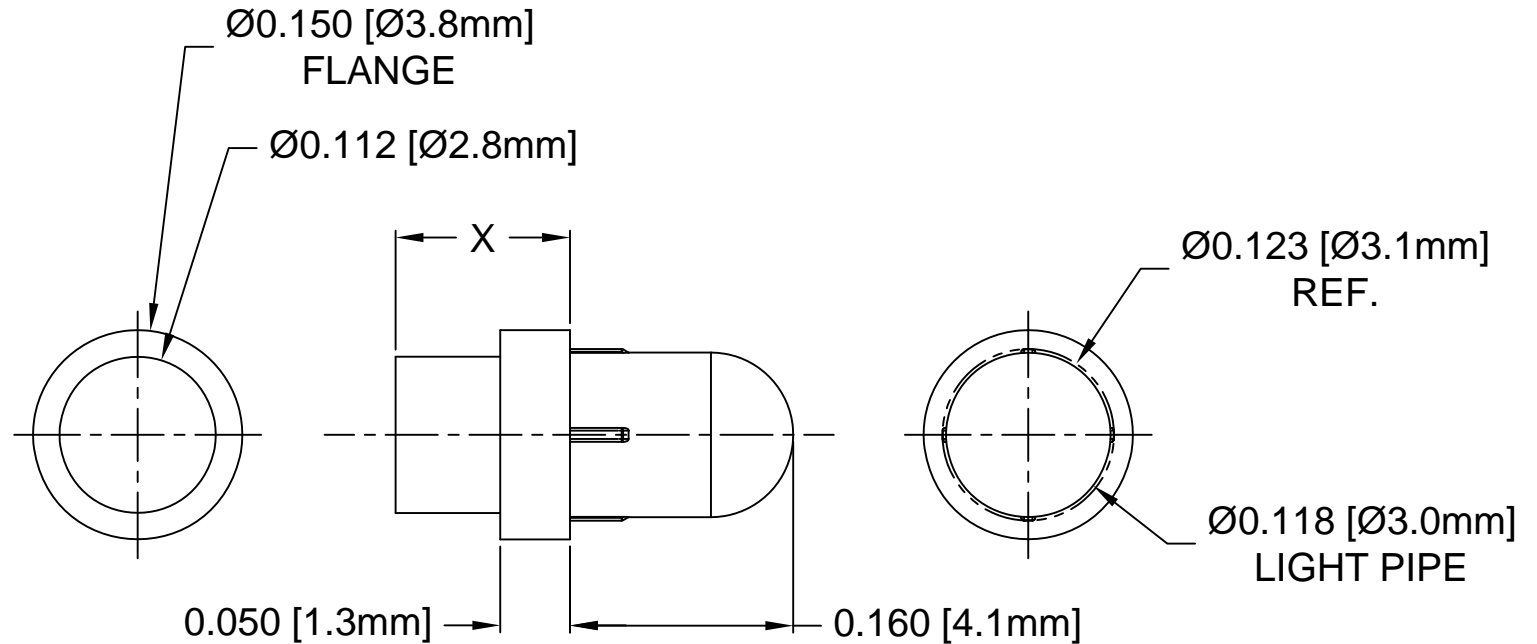
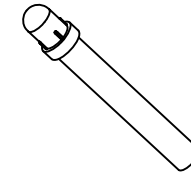
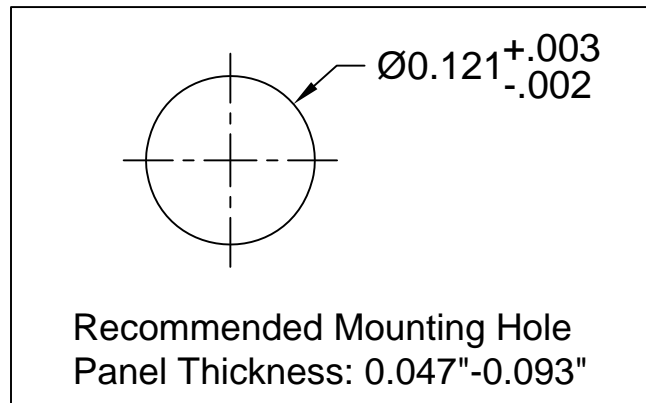


| Part No. | X = Body Length |
|-----------|------------------|
| PLP1-100 | 0.100 (2.5mm) |
| PLP1-125 | 0.125 (3.2mm) |
| PLP1-175 | 0.175 (4.4mm) |
| PLP1-188 | 0.188 (4.8mm) |
| PLP1-200 | 0.200 (5.1mm) |
| PLP1-250 | 0.250 (6.4mm) |
| PLP1-313 | 0.313 (7.9mm) |
| PLP1-350 | 0.350 (8.9mm) |
| PLP1-375 | 0.375 (9.5mm) |
| PLP1-460 | 0.460 (11.7mm) |
| PLP1-500 | 0.500 (12.7mm) |
| PLP1-625 | 0.625 (15.9mm) |
| PLP1-750 | 0.750 (19.0mm) |
| PLP1-3MM | 3mm (0.118") |
| PLP1-4MM | 4mm (0.157") |
| PLP1-5MM | 5mm (0.197") |
| PLP1-6MM | 6mm (0.236") |
| PLP1-7MM | 7mm (0.276") |
| PLP1-8MM | 8mm (0.315") |
| PLP1-9MM | 9mm (0.354") |
| PLP1-10MM | 10mm (0.394") |

| REV. | DESCRIPTION | DATE | APPROVED |
|------|---|----------|----------|
| P | Added Panel Thickness. | 05/01/15 | J. C. |
| Q | Added .100", .188", .313" Lengths to Offering List. | 05/27/15 | J. C. |
| R | Added Metric Lengths to Offering List. | 07/15/15 | J. C. |
| T | Added Color Options, Sheet #2. | 02/02/16 | J. C. |
| U | Updated Color Options | 07/05/18 | G.O. |



BODY LENGTHS FOR CLEAR LIGHT PIPES.



2. MATERIAL: POLYCARBONATE, 94V-0, CLEAR.

1. GENERAL SPECIFICATIONS: BIVAR MOLDED COMPONENT SPECIFICATION BV00-E101 and BSMC-1001.

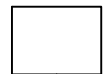
| STANDARD TOLERANCE (UNLESS OTHERWISE SPECIFIED) | | BIVAR® | |
|---|----------------|--|----------------|
| DECIMALS | ANGULAR | 4 THOMAS, IRVINE, CA. 92618 | |
| .X ± .1 | X° ± 1° | TEL: (949) 951-8808 FAX: (949) 951-3974 | |
| .XX ± .01 | | TITLE: PRESS-FIT, PANEL MOUNT, LIGHT PIPE, ROUND TOP | |
| .XXX ± .005 | | PART NO: PLP1-XXX | |
| DESIGNED: M. CHEN | DATE: 01/16/02 | CAGE CODE: 32559 | REVISION U |
| REVISOR: K. BARON | DATE: 07/05/18 | SCALE: 1:1 | SHEET # 1 OF 2 |
| CHECKED: TD. NGUYEN | DATE: 07/05/18 | CAD GENERATED DOCUMENT. DO NOT MEASURE DRAWING | |

OTHER AVAILABLE COLORS
 * SEE TABLE FOR ORDERING INFORMATION

| REV. | DESCRIPTION | DATE | APPROVED |
|------|--------------|------|----------|
| | SEE SHEET #1 | | |
| | | | |
| | | | |
| | | | |

AVAILABLE COLOR OPTIONS

PLP1 - _ _ _ _



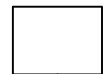
RIGID LIGHT PIPE
SERIES

LENGTH

| PART NUMBER | BODY LENGTH |
|-------------|----------------|
| PLP1-100 | 0.100" (2.5mm) |
| PLP1-125 | 0.125" (3.2mm) |
| PLP1-2.5mm | 2.5mm (0.100") |
| PLP1-3mm | 3mm (0.118") |

| COLOR | Order Code |
|---------------|------------|
| TINTED BLUE | BE |
| TINTED GREEN | GN |
| TINTED RED | RD |
| TINTED YELLOW | YW |

PLP1 - _ _ _ _ -



RIGID LIGHT PIPE
SERIES

LENGTH

| PART NUMBER | BODY LENGTH |
|-------------|----------------|
| PLP1-100 | 0.100" (2.5mm) |
| PLP1-125 | 0.125" (3.2mm) |
| PLP1-2.5mm | 2.5mm (0.100") |
| PLP1-3mm | 3mm (0.118") |

| COLOR | Order Code |
|----------|------------|
| DIFFUSED | D |
| SMOKED | S |