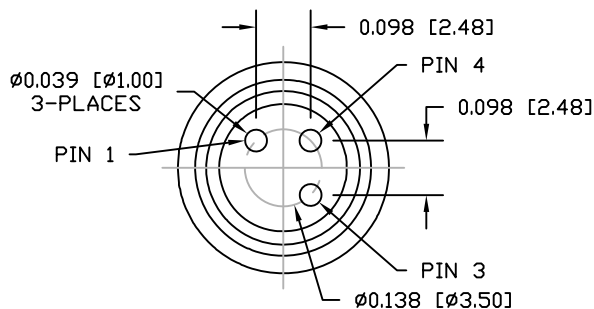
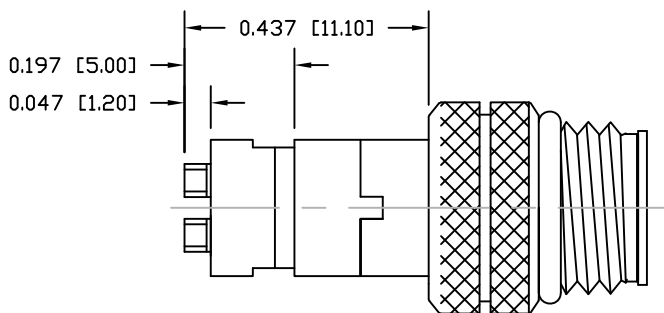
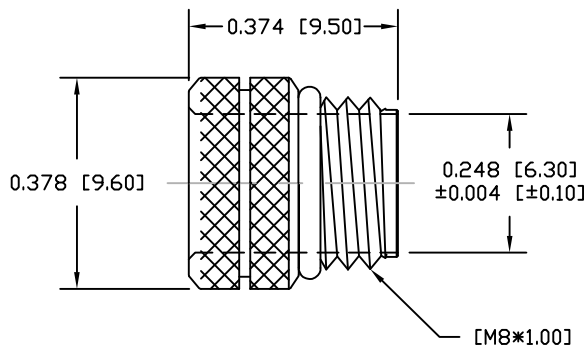
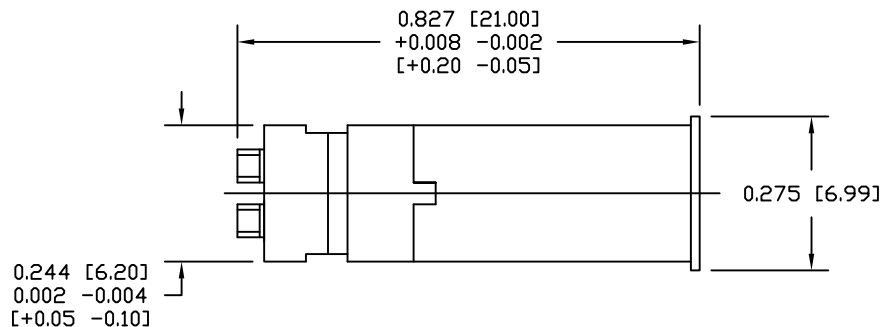
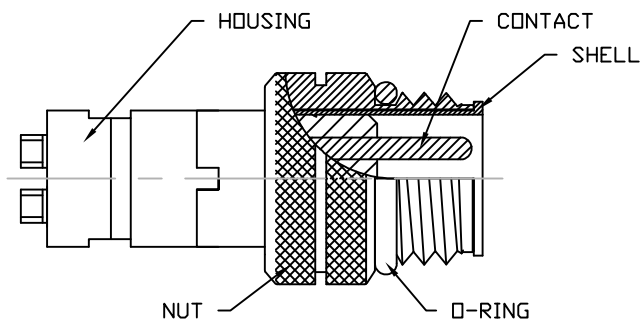


DESCRIPTION: M8 MALE - CABLE MOUNT - SOLDER CUP - 3 POS.



NOTE:

MATERIAL

HOUSING: PBT UL94V-0, BLACK
CONTACT: COPPER ALLOY
NUT: COPPER ALLOY
SHELL: COPPER ALLOY
O-RING: NBR, BLACK

FINISH

CONTACT: GOLD PLATED
OVER 50µ" NICKEL
NUT: NICKEL PLATED 60µ" TO 100µ" OVER ALL
SHELL: NICKEL PLATED 60µ" TO 100µ" OVER ALL

ELECTRICAL

RATED CURRENT: 5A
RATED VOLTAGE: 125V
INSULATION RESISTANCE: 100 MΩhms MIN.
CONTACT RESISTANCE: 10 mΩhms MAX.
WATER PROOF: IP67

ENVIRONMENT

OPERATION TEMPERATURE: -40°C TO +85°C
WIRE GAUGE: 24-28 AWG

854-003-103RLSY

1 = GOLD FLASH
4 = 10µ" GOLD

RoHS COMPLIANT

DO NOT SCALE FROM DRAWING



THESE DRAWINGS AND SPECIFICATIONS ARE THE PROPERTY OF NorComp AND SHALL NOT BE REPRODUCED, COPIED OR USED AS THE BASIS FOR THE MANUFACTURE OR SALE OF APPARATUS WITHOUT WRITTEN PERMISSION.

DRAWN:

M. SIGMON

DATE:

03-04-16

NorComp

SCALE:
NTS

SHEET OF
1 1

REV
3

DWG NO.

854-003-103RLSY