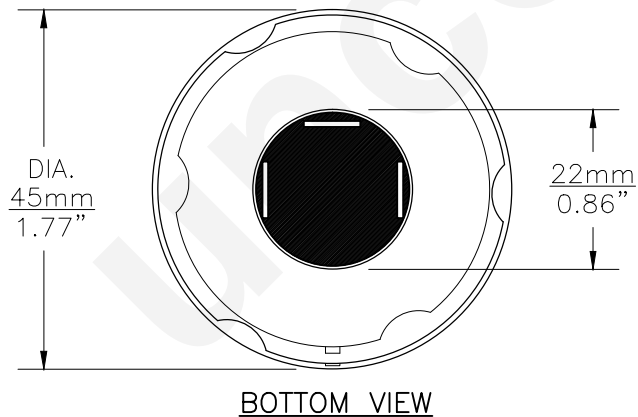
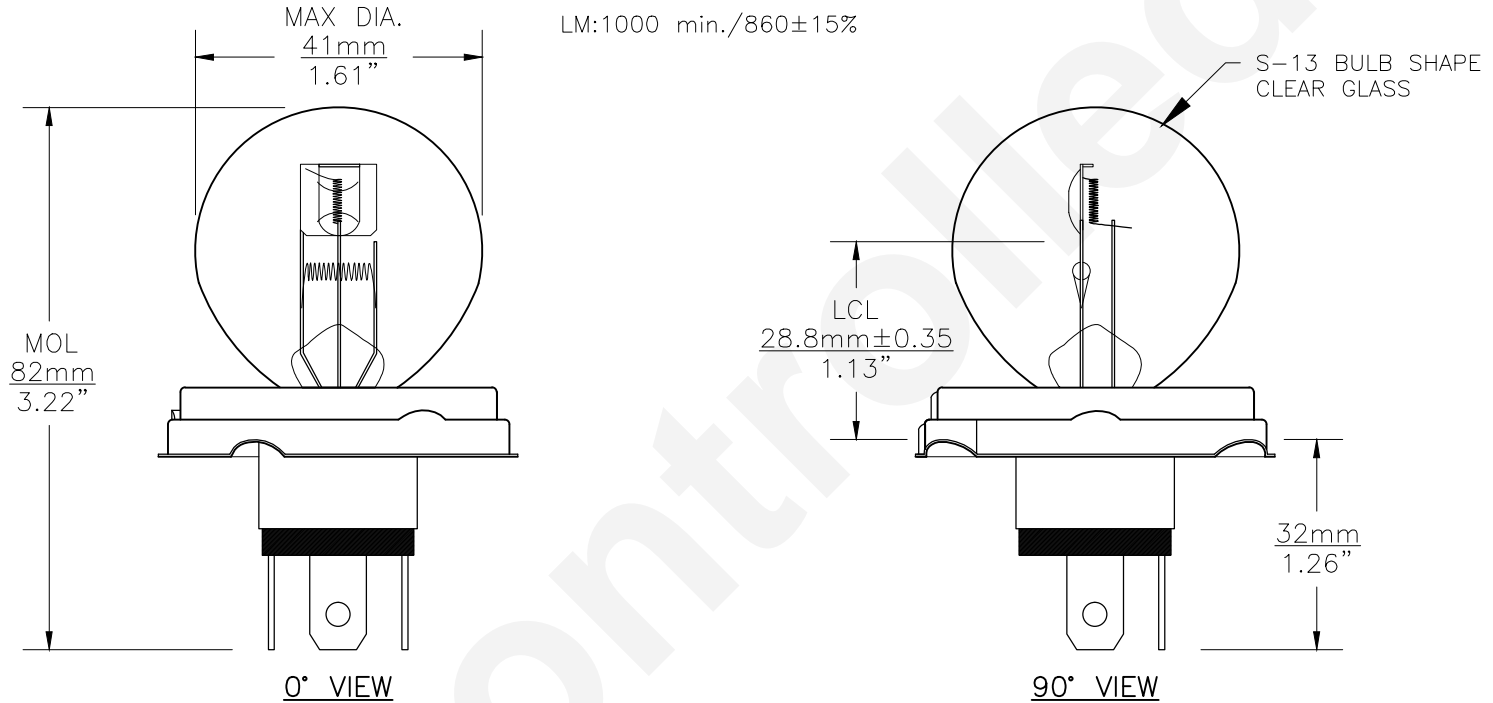




PART NO.	BASE TYPE	DESIGN VOLTS	DESIGN WATTS	FILAMENT TYPE	AVERAGE LIFE HOURS
7952	P45t	28.0V 28.0V	76W 69W	C-8H C-6	65 high 110 low

REVISIONS			
REV #	DESCRIPTION	DATE	APPROVED
1	ISSUED	01/22/2019	R.M.



UNLESS OTHERWISE SPECIFIED: DIMENSIONS ARE IN INCHES TOLERANCES		CEC INDUSTRIES LTD	
DECIMALS	ANGULAR	599 BOND STREET	LINCOLNSHIRE, IL 60069
.XX ± .05	± 0.5°		
.XXX ± .010			
FRACTIONAL	± 1/64		
DRAWN ROSE MEDINA	DATE 01/22/2019	TITLE LIGHT BULB NO. 7952	
CHECKED		SIZE A	FSCM NO. 7952
DESIGN		DWG NO. 7952	REV 1
MATERIAL		SCALE	PLOT SCALE
	FILE 7952.pdf	SHEET 1 OF 1	DRAWING NOT TO SCALE