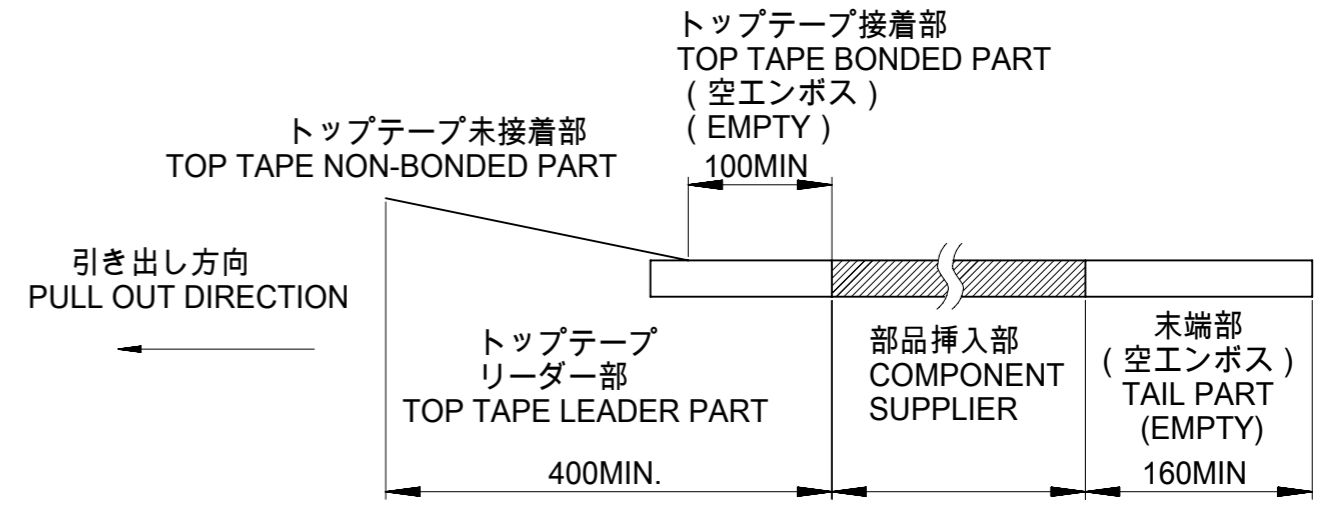


注記 NOTES

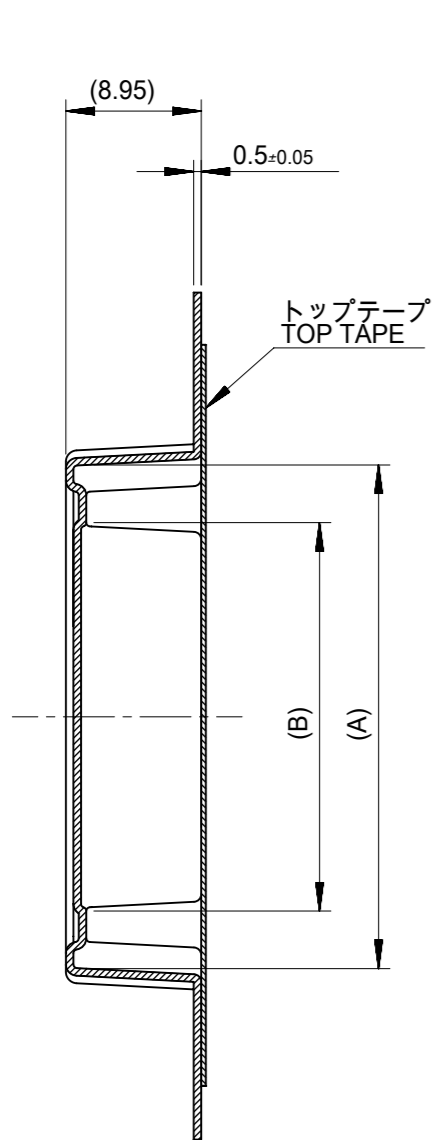
- 梱包数量 : 900 個 / リール
NUMBER OF CONNECTORS:900 PCS/REEL
- リードテープ長さ
LEAD TAPE LENGTH
- トップテープの剥離強度については、IEC60286-3に準拠。
TOP TAPE PEEL FORCE IS DEFINED BY IEC60286-3.
- 製品詳細寸法については図面 5017861002 DOC. PART 000を参照下さい。
RE DETAILED DIMENSION, SEE 5017861002 DOC. PART 000.
- 材料(MATERIAL)
キャリアテープ(CARRIER TAPE) : ポリスチレン(POLYSTYRENE)
トップテープ(TOP TAPE) : PET, PE, PE
リール(REEL) : ポリスチレン(POLYSTYRENE)
リサイクル材を含む
RECYCLE MATERIAL CONTAINED



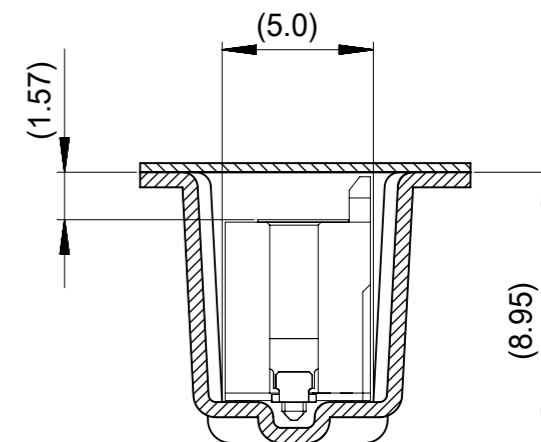
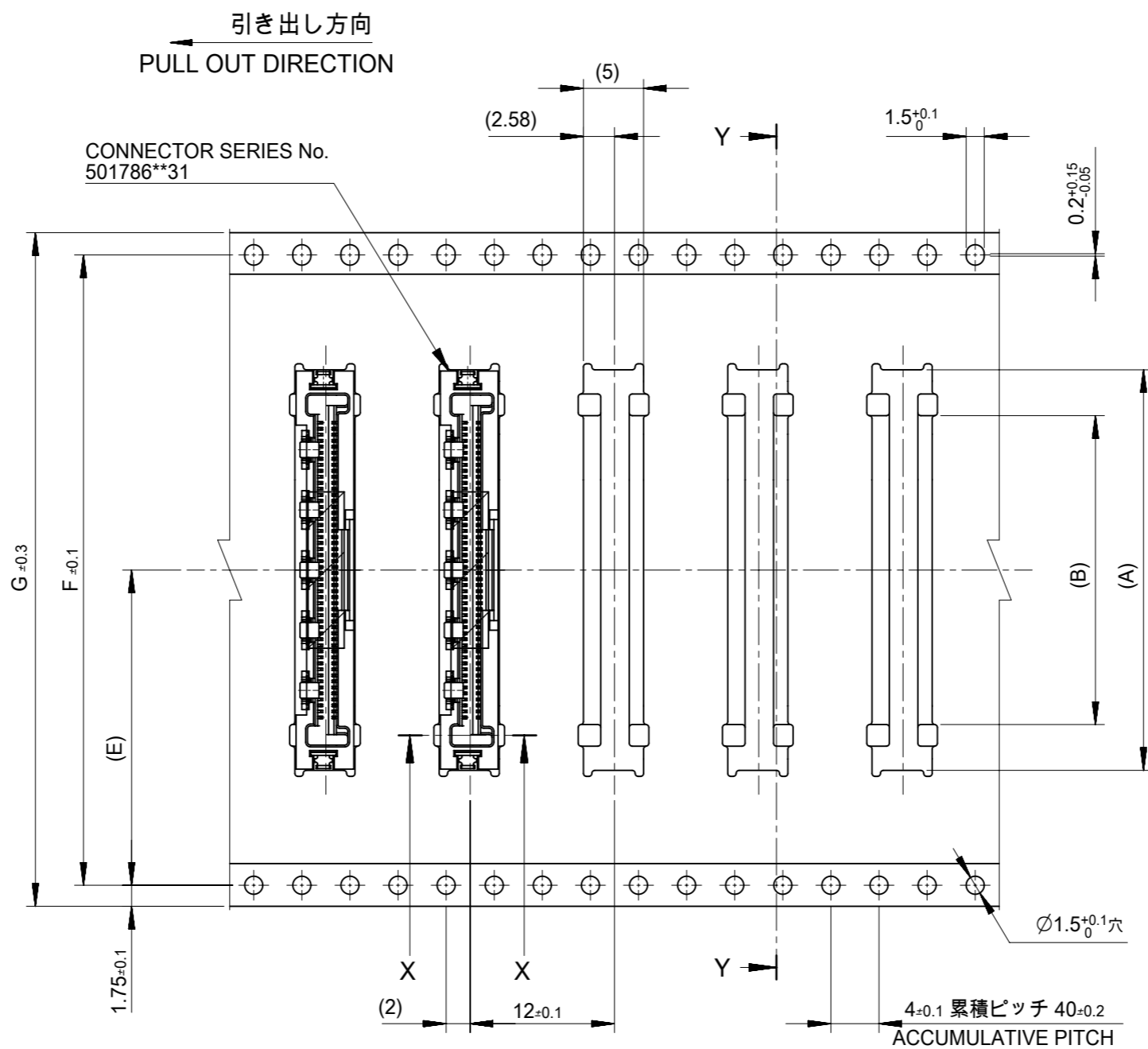
| | | | | | | | | | |
|--------------------------------|------|------|------|------|------|-------|------|---------------------------------------|---------|
| 56 | 56.0 | 52.4 | 26.2 | 61.4 | 57.4 | 25.68 | 33.3 | 5017865091 | 50 |
| 44 | 44.0 | 40.4 | 20.2 | 49.4 | 45.4 | 20.68 | 28.3 | 5017864091 | 40 |
| | | | | | | 15.68 | 23.3 | 5017863091 | 30 |
| キャリアテープ幅 CARRIER TAPE WIDTH | G | F | E | D | C | B | A | EMBOSSSED PACKAGE オーダー番号 ORDER No. | Circuit |

THIS DRAWING CONTAINS INFORMATION THAT IS PROPRIETARY TO MOLEX ELECTRONIC TECHNOLOGIES, LLC AND SHOULD NOT BE USED WITHOUT WRITTEN PERMISSION

| | | | | | |
|--|------------------------|------------------------------|--|------------------------------|----------------------------|
| DIMENSION UNITS mm | SCALE 1:1 | CURRENT REV DESC: | molex | | |
| GENERAL TOLERANCES (UNLESS SPECIFIED) | | EC NO: 628512 | EMBSTP PKG FOR 0.5 FFC TO BOARD ST TYPE | | |
| ANGULAR TOL | ± 3.0 ° | DRWN: SKITAZAWA 2020/02/04 | PRODUCT CUSTOMER DRAWING | | |
| 4 PLACES | ± 0.2 | CHK'D: HSHIMOYAMA 2020/02/04 | DOCUMENT NUMBER | | |
| 3 PLACES | ± 0.2 | APPR: SHOSHIKAWA 2020/02/04 | 5017860002 | | |
| 2 PLACES | ± 0.25 | INITIAL REVISION: | DOC TYPE | DOC PART | REVISION |
| 1 PLACE | ± 0.3 | DRWN: VLM 2016/02/17 | PSD | 000 | C |
| 0 PLACES | ± 0.3 | APPR: TKUSUHARA01 2017/04/28 | SHEET NUMBER | | |
| DRAFT WHERE APPLICABLE MUST REMAIN WITHIN DIMENSIONS | THIRD ANGLE PROJECTION | DRAWING A3-SIZE | SERIES 501786 | MATERIAL NUMBER SEE CHART | CUSTOMER GENERAL MARKET |



SECT. Y-Y



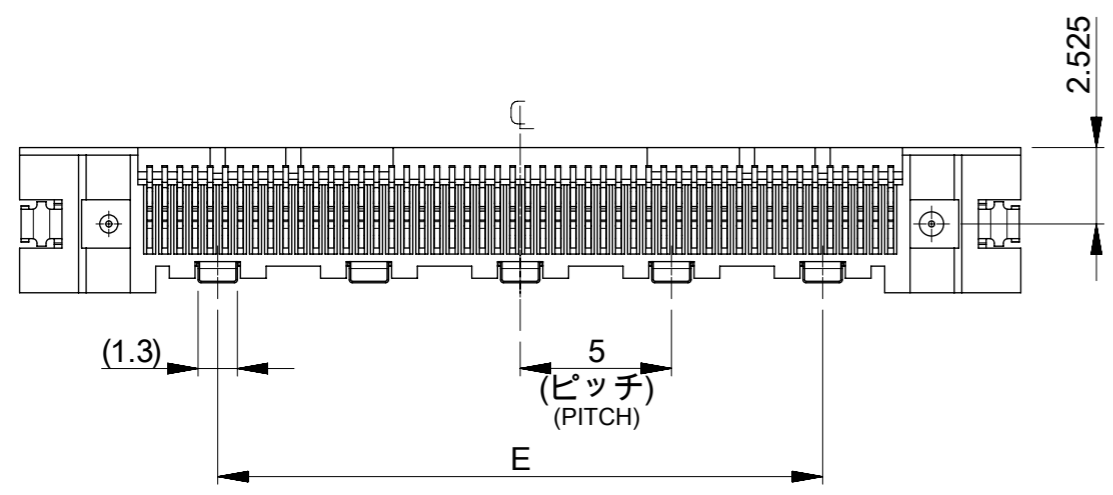
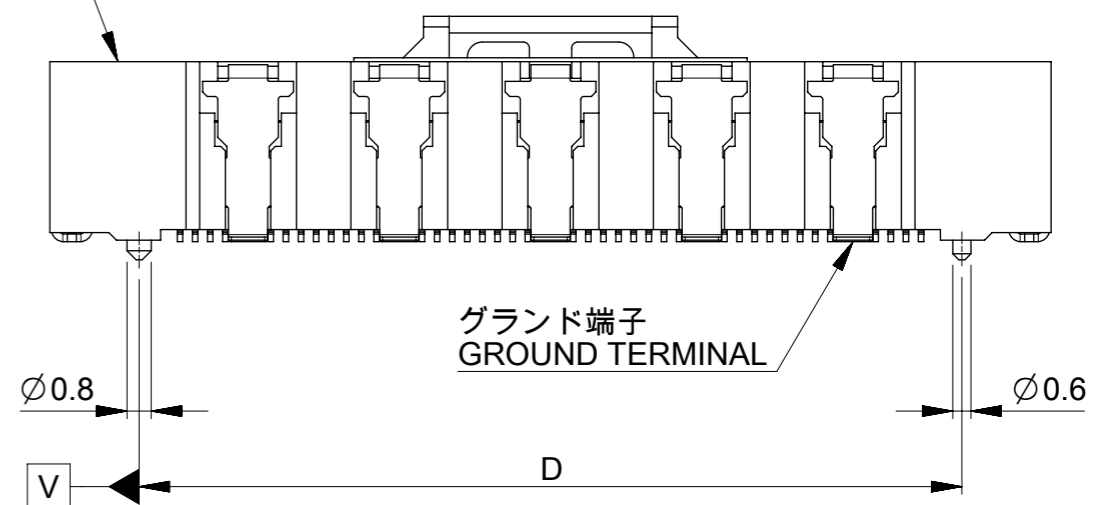
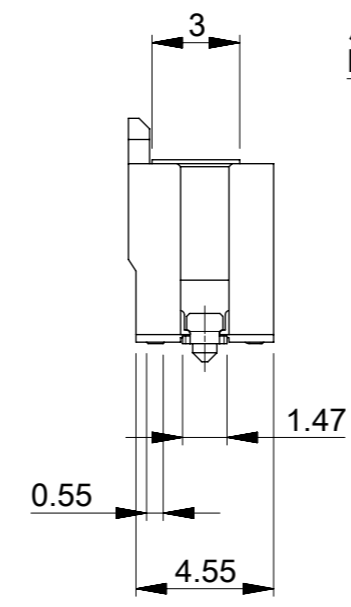
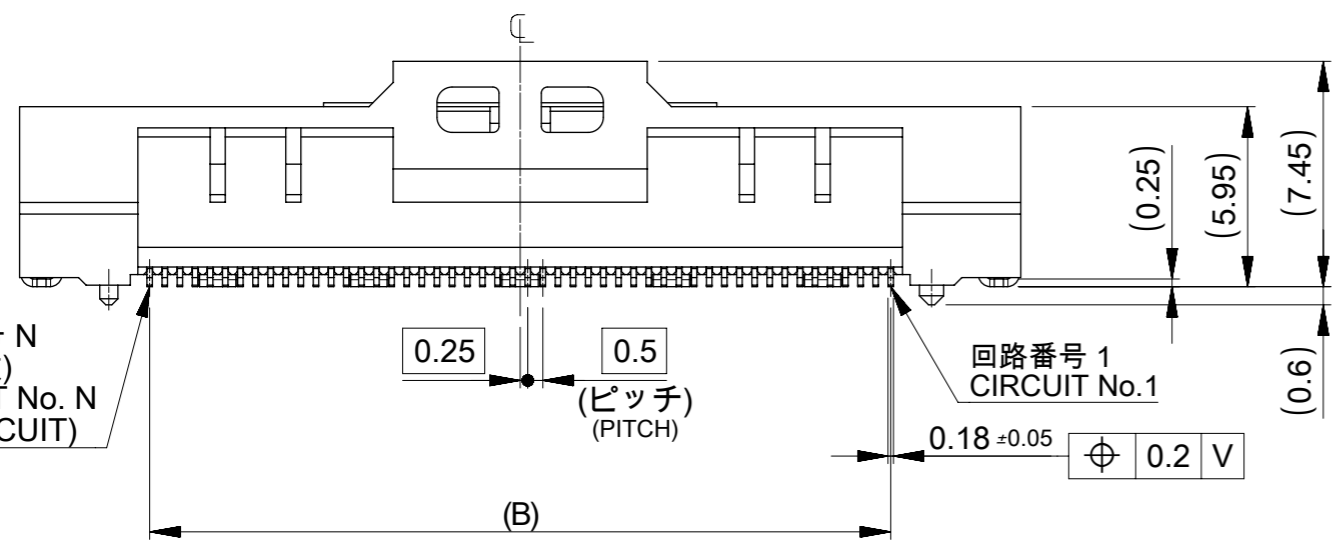
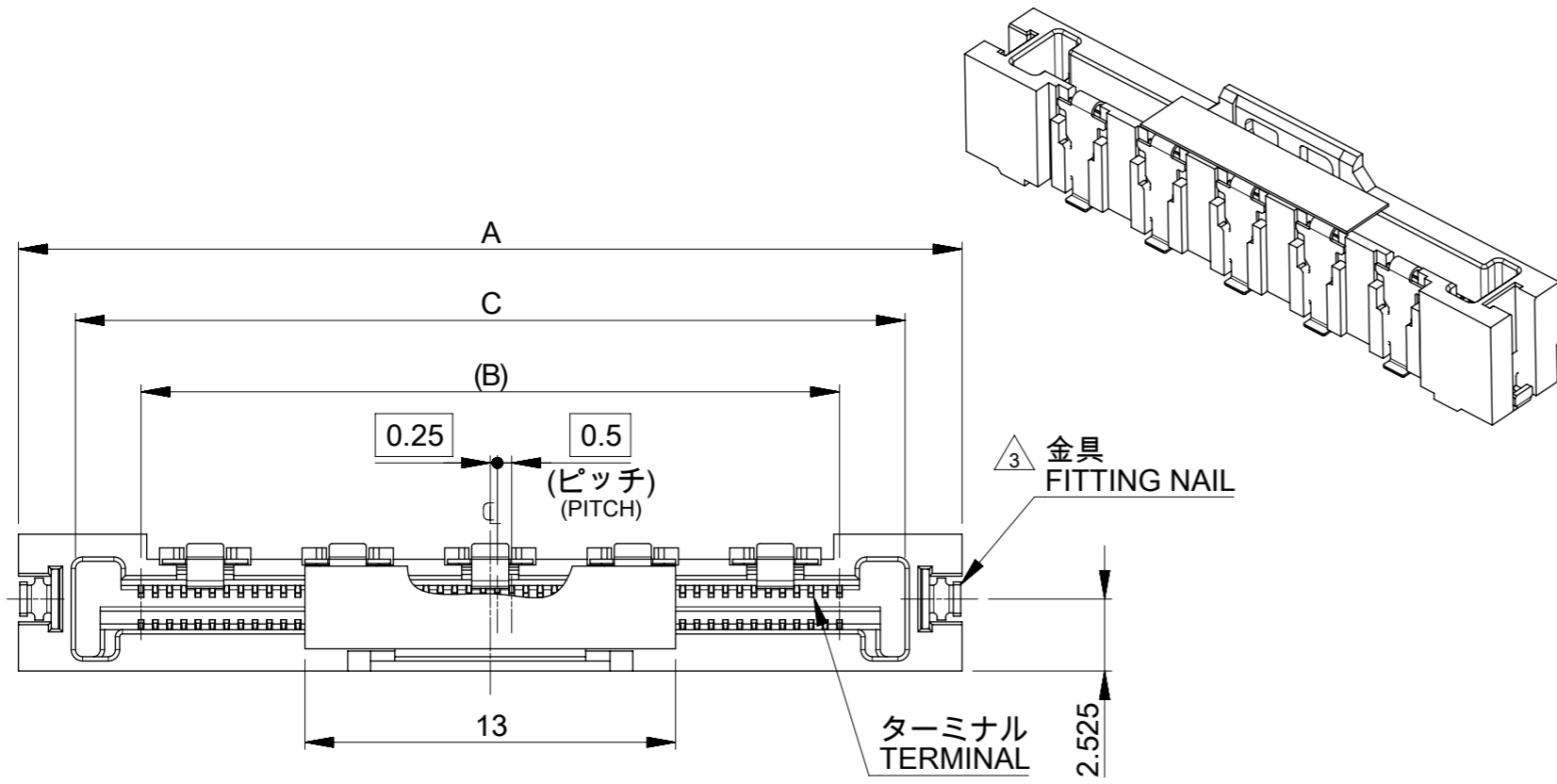
SECT. X-X

| | | | | | | | | | |
|---|--|------------------------|--|------------------------------|--|----------------|--|--------------------------|--|
| THIS DRAWING CONTAINS INFORMATION THAT IS PROPRIETARY TO MOLEX ELECTRONIC TECHNOLOGIES, LLC AND SHOULD NOT BE USED WITHOUT WRITTEN PERMISSION | | | | | | | | | |
| DIMENSION UNITS | | SCALE | | CURRENT REV DESC: | | | | molex | |
| mm | | 1:1 | | | | | | | |
| GENERAL TOLERANCES (UNLESS SPECIFIED) | | | | EC NO: 628512 | | | | EMBSTP PKG FOR | |
| ANGULAR TOL ± 3.0° | | | | DRWN: SKITAZAWA 2020/02/04 | | | | 0.5 FFC TO BOARD ST TYPE | |
| 4 PLACES ± 0.2 | | | | CHK'D: HSHIMOYAMA 2020/02/04 | | | | PRODUCT CUSTOMER DRAWING | |
| 3 PLACES ± 0.2 | | | | APPR: SHOSHIKAWA 2020/02/04 | | | | DOCUMENT NUMBER | |
| 2 PLACES ± 0.25 | | | | INITIAL REVISION: | | | | 5017860002 | |
| 1 PLACE ± 0.3 | | | | DRWN: VLM 2016/02/17 | | | | DOC TYPE | |
| 0 PLACES ± 0.3 | | | | APPR: TKUSUHARA01 2017/04/28 | | | | PSD | |
| DRAFT WHERE APPLICABLE MUST REMAIN WITHIN DIMENSIONS | | THIRD ANGLE PROJECTION | | DRAWING | | SERIES | | MATERIAL NUMBER | |
| | | A3-SIZE | | 501786 | | CUSTOMER | | SEE CHART | |
| | | | | | | GENERAL MARKET | | SHEET NUMBER | |
| | | | | | | | | 2 OF 2 | |

注記 NOTES

1. 使用材料 MATERIAL
 ハウジング：液晶ポリマー(LCP)、ガラス充填、UL94V-0、黒色
 ターミナル：銅合金 (t=0.18)
 補強金具：銅合金 (t=0.25)
 グランド端子：銅合金 (t=0.15)
 HOUSING : LIQUID CRYSTAL POLYMER(LCP), GLASS FILLED, UL94V-0, BLACK
 TERMINAL : COPPER ALLOY (t=0.18)
 FITTING NAIL : COPPER ALLOY (t=0.25)
 GROUND TERMINAL : COPPER ALLOY (t=0.15)
2. めっき仕様 PLATING
 ターミナル
 コンタクト：金めっき(0.1μm以上) 下地：ニッケルめっき(1.0μm以上)
 ソルダーテール：金めっき 下地：ニッケルめっき
 補強金具：錫めっき(1.0μm以上) 下地：ニッケルめっき
 グランド端子：錫めっき(1.0μm以上) 下地：ニッケルめっき
 TERMINAL
 CONTACT AREA : GOLD PLATING(0.1μm MAX) UNDERPLATING : NICKEL PLATING(1.0μmMAX)
 SOLDER TAIL AREA : GOLD PLATING UNDERPLATING : NICKEL PLATING
 FITTING NAIL : TIN PLATING(1.0μmMAX) UNDER PLATING : NICKEL PLATING
 GROUND TERMINAL : TIN PLATING(1.0μmMAX) UNDER PLATING : NICKEL PLATING

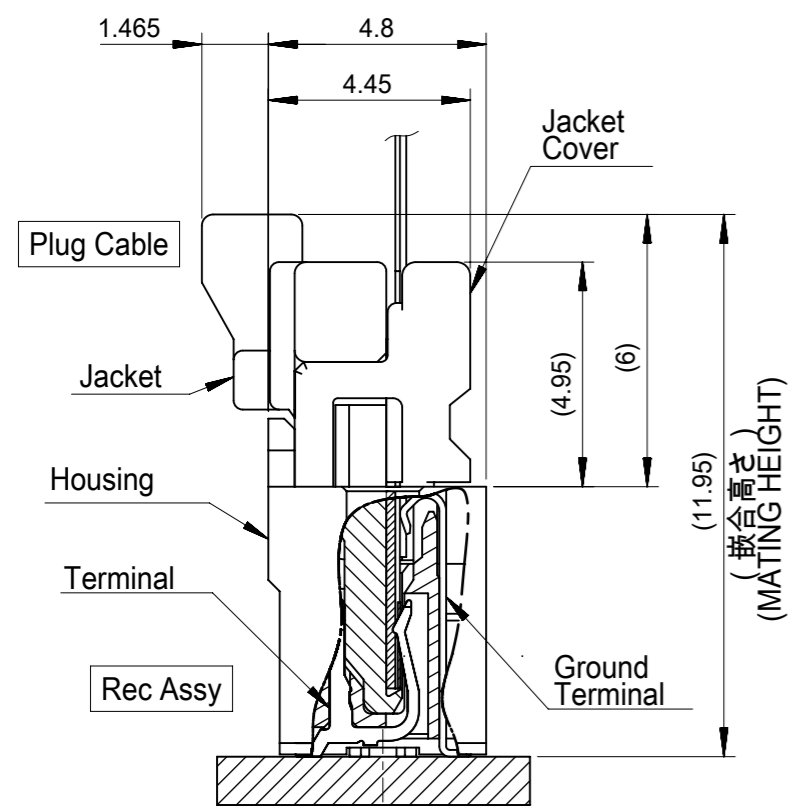
③ パターン剥離止め用補強金具
 FITTING NAIL FOR PREVENTION OF PEELING OF P.C.B. PATTERN.



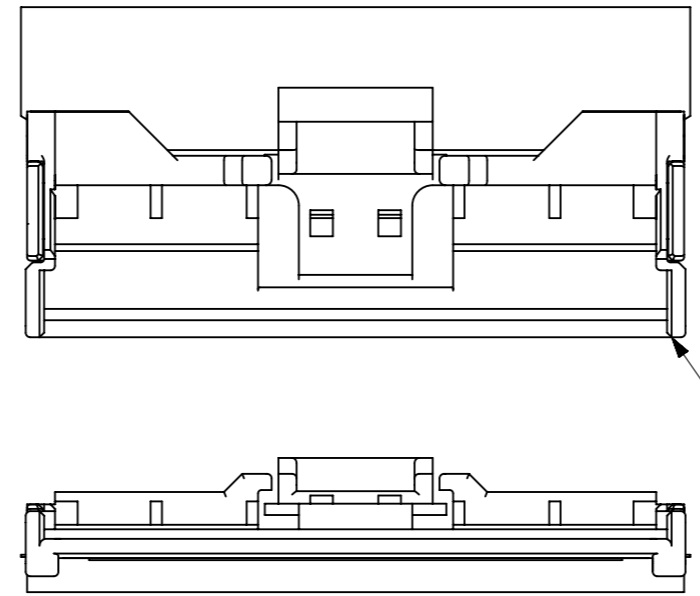
| | | | | | | | |
|------------------------|----|------|------|------|------|------------------|---------|
| 5 | 20 | 27.2 | 29.1 | 24.5 | 33.1 | 5017865091 | 50 |
| 4 | 15 | 22.2 | 24.1 | 19.5 | 28.1 | 5017864091 | 40 |
| 3 | 10 | 17.2 | 19.1 | 14.5 | 23.1 | 5017863091 | 30 |
| QTY of Ground Terminal | E | D | C | B | A | EMBOSSED PACKAGE | Circuit |
| | | | | | | オーダー番号 ORDER No. | |

THIS DRAWING CONTAINS INFORMATION THAT IS PROPRIETARY TO MOLEX ELECTRONIC TECHNOLOGIES, LLC AND SHOULD NOT BE USED WITHOUT WRITTEN PERMISSION

| | | | | | | | |
|--|--------|------------------------|------------|--|-----------------|----------------|--------------|
| DIMENSION UNITS | SCALE | CURRENT REV DESC: | | molex | | | |
| mm | 4:1 | | | | | | |
| GENERAL TOLERANCES (UNLESS SPECIFIED) | | EC NO: 628512 | | 0.5 FFC TO BOARD CONN REC HSG ASSY(ST) | | | |
| ANGULAR TOL | ± 3.0° | DRWN: SKITAZAWA | 2020/02/04 | PRODUCT CUSTOMER DRAWING | | | |
| 4 PLACES | ± 0.2 | CHK'D: HSHIMOYAMA | 2020/02/04 | DOCUMENT NUMBER | | | |
| 3 PLACES | ± 0.2 | APPR: SHOSHIKAWA | 2020/02/04 | 5017861002 | | | |
| 2 PLACES | ± 0.25 | INITIAL REVISION: | | DOC TYPE | DOC PART | | |
| 1 PLACE | ± 0.3 | DRWN: NKURAHATTI | 2016/02/26 | PSD | 000 | | |
| 0 PLACES | ± 0.3 | APPR: TKUSUHARA01 | 2017/04/28 | D | | | |
| DRAFT WHERE APPLICABLE MUST REMAIN WITHIN DIMENSIONS | | THIRD ANGLE PROJECTION | DRAWING | SERIES | MATERIAL NUMBER | CUSTOMER | SHEET NUMBER |
| | | | A3-SIZE | 501786 | SEE CHART | GENERAL MARKET | 1 OF 3 |

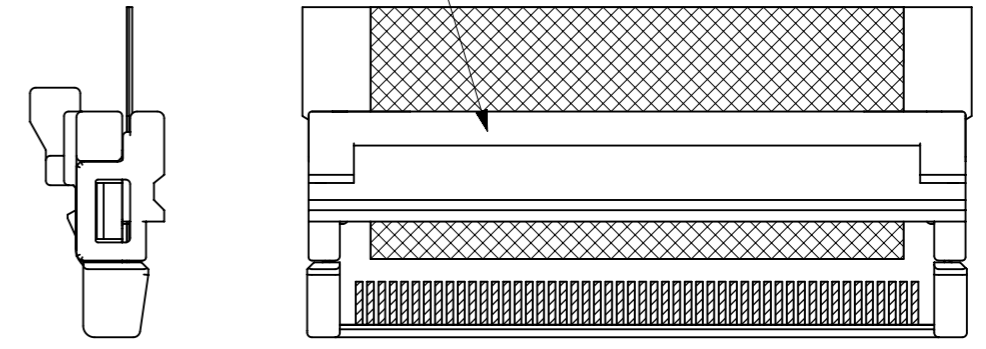


大ラッチジャケット嵌合断面図
 LARGE LATCH JACKET
 MATED CONNECTOR SECTION

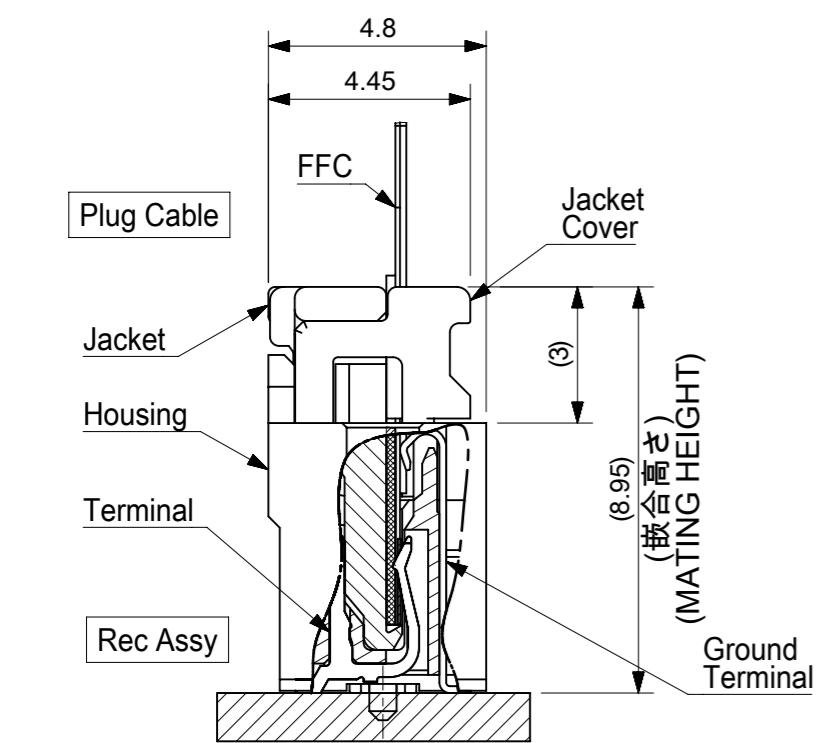


大ラッチジャケット
 LARGE LATCH JACKET

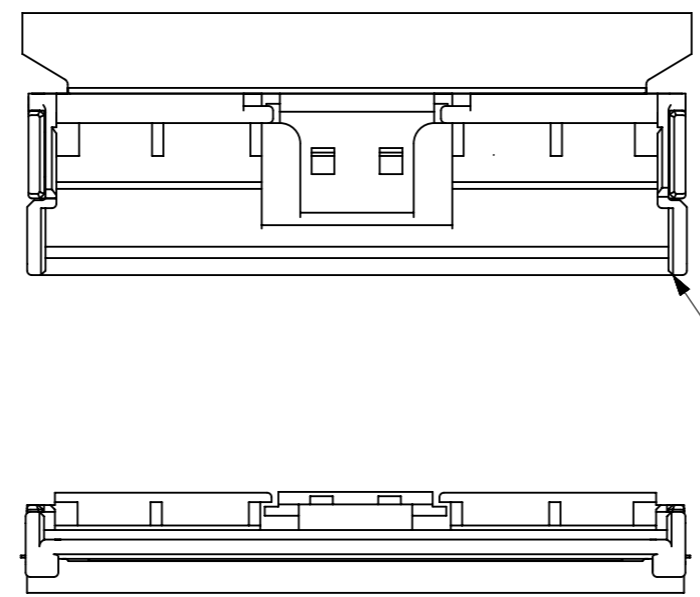
適合ジャケットカバー : 503151**09
 製品詳細寸法はSD-503151-001を参照下さい。
 APPLICABLE JACKET COVER : 503151**09.
 DETAIL DIMENSION IS REFER TO SD-503151-001.



適合大ラッチジャケット : 503150**09
 製品詳細寸法はSD-503150-001を参照下さい。
 APPLICABLE LARGE LATCH JACKET : 503150**09.
 DETAIL DIMENSION IS REFER TO SD-503150-001.

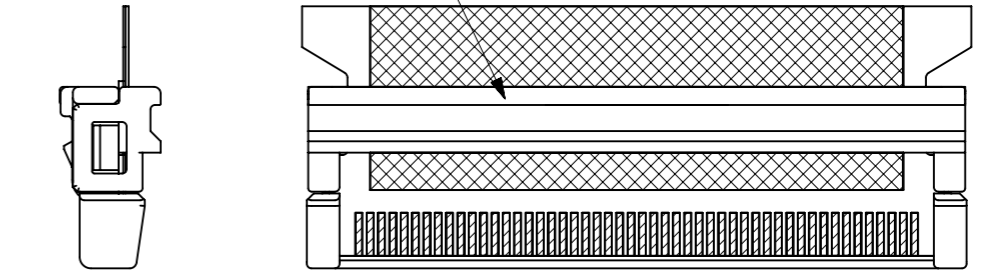


小ラッチジャケット嵌合断面図
 SMALL LATCH JACKET
 MATED CONNECTOR SECTION



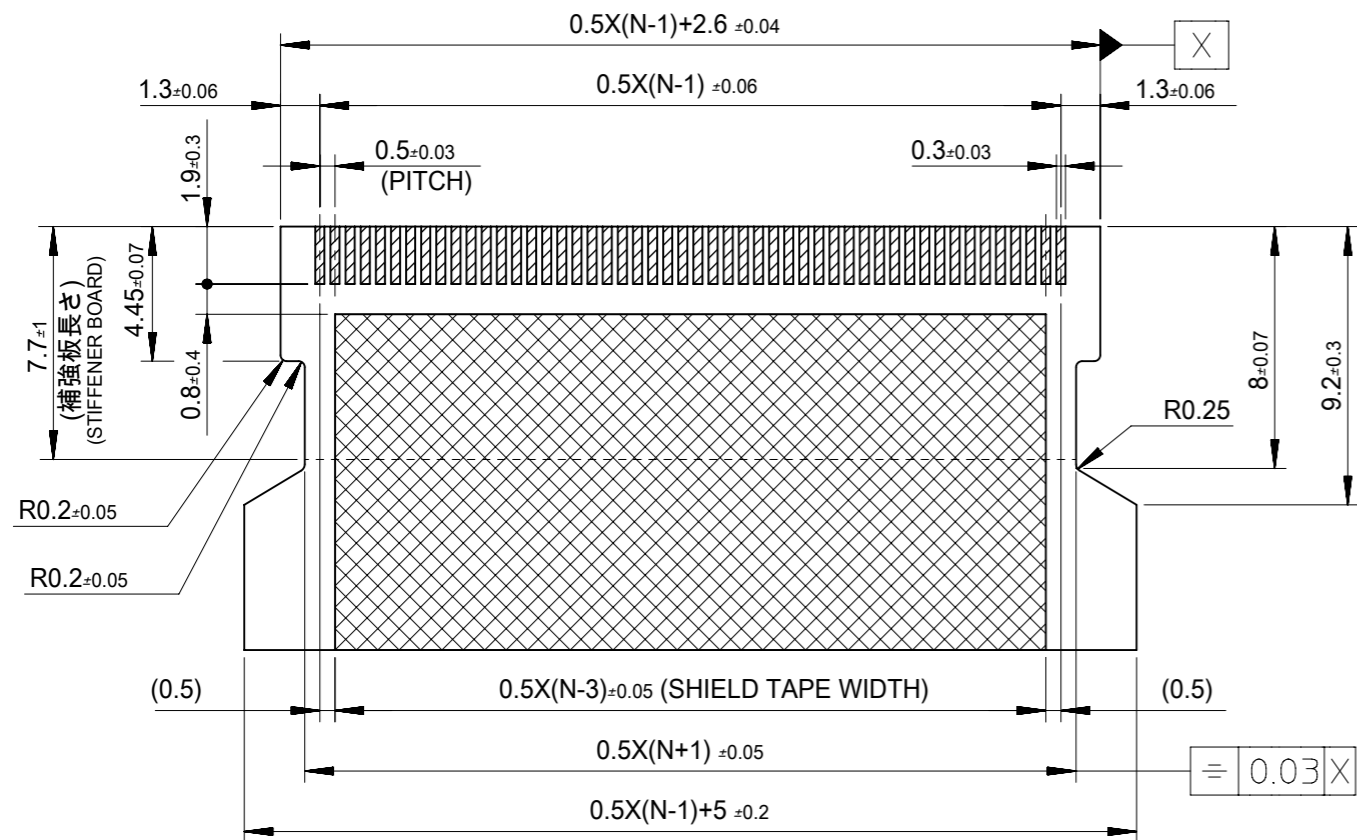
小ラッチジャケット
 SMALL LATCH JACKET

適合ジャケットカバー : 501784**08
 製品詳細寸法はSD-501784-005を参照下さい。
 APPLICABLE JACKET COVER : 501784**08.
 DETAIL DIMENSION IS REFER TO SD-501784-005.



適合小ラッチジャケット : 501783**09
 製品詳細寸法はSD-501783-004を参照下さい。
 APPLICABLE SMALL LATCH JACKET : 501783**09.
 DETAIL DIMENSION IS REFER TO SD-501783-004.

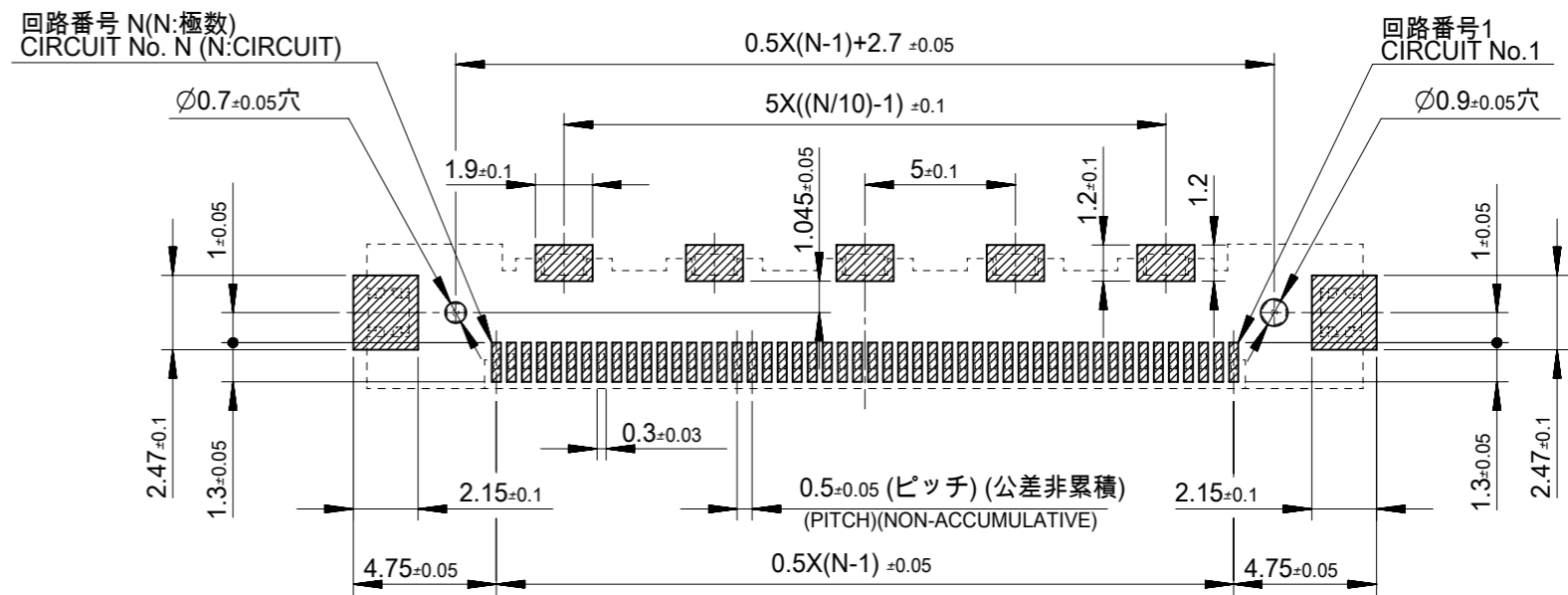
| | | | | | |
|---|---------|------------------------|------------|--|-----------------|
| THIS DRAWING CONTAINS INFORMATION THAT IS PROPRIETARY TO MOLEX ELECTRONIC TECHNOLOGIES, LLC AND SHOULD NOT BE USED WITHOUT WRITTEN PERMISSION | | CURRENT REV DESC: | | molex | |
| DIMENSION UNITS | SCALE | | | | |
| mm | 1:1 | | | 0.5 FFC TO BOARD CONN REC HSG ASSY(ST) | |
| GENERAL TOLERANCES (UNLESS SPECIFIED) | | EC NO: 628512 | | PRODUCT CUSTOMER DRAWING | |
| ANGULAR TOL | ± 3.0 ° | DRWN: SKITAZAWA | 2020/02/04 | DOCUMENT NUMBER | |
| 4 PLACES | ± 0.2 | CHK'D: HSHIMOYAMA | 2020/02/04 | 5017861002 | |
| 3 PLACES | ± 0.2 | APPR: SHOSHIKAWA | 2020/02/04 | DOC TYPE | DOC PART |
| 2 PLACES | ± 0.25 | INITIAL REVISION: | | PSD | 000 |
| 1 PLACE | ± 0.3 | DRWN: NKURAHATTI | 2016/02/26 | REVISION | |
| 0 PLACES | ± 0.3 | APPR: TKUSUHARA01 | 2017/04/28 | D | |
| DRAFT WHERE APPLICABLE MUST REMAIN WITHIN DIMENSIONS | | THIRD ANGLE PROJECTION | DRAWING | SERIES | MATERIAL NUMBER |
| | | | A3-SIZE | 501786 | CUSTOMER |
| | | | | | GENERAL MARKET |
| | | | | | SHEET NUMBER |
| | | | | | 2 OF 3 |



適合FFC推奨寸法
APPLICABLE FFC RECOMENDED DIMENSION

仕上がり厚さ THICKNESS
 コネクタ接点部 : 0.3±0.03
 CONNECTOR CONTACT PORTION : 0.3±0.03
 シールド部 : 0.44±0.05
 SHIELD PORTION : 0.44±0.05

- コネクタ接点部
CONNECTOR CONTACT PORTION
- シールド部
SHIELD PORTION



参考基板レイアウト
P.C.BOARD PATTERN DIMENSION(REF.)
 (マウント面) (MOUNTING SIDE)

参考マスク厚 : 120µm
 REFERENCE SCREEN THICKNESS : 120µm
 参考マスク開口率 : 100%
 REFERENCE SCREEN OPEN RATIO : 100%

FFCについて ABOUT FFC

打ち抜き方向は導体側から補強板側を推奨します。
 導体部については軟箔銅35µmまたは50µmを推奨します。
 FFCに規定された定格温度がFFC単体前提である場合が御座います。
 コネクタと組み合わせての実使用において、接着層が劣化するなどの信頼性を満足できないケースを回避するため、
 実機での評価/確認をお願いいたします。

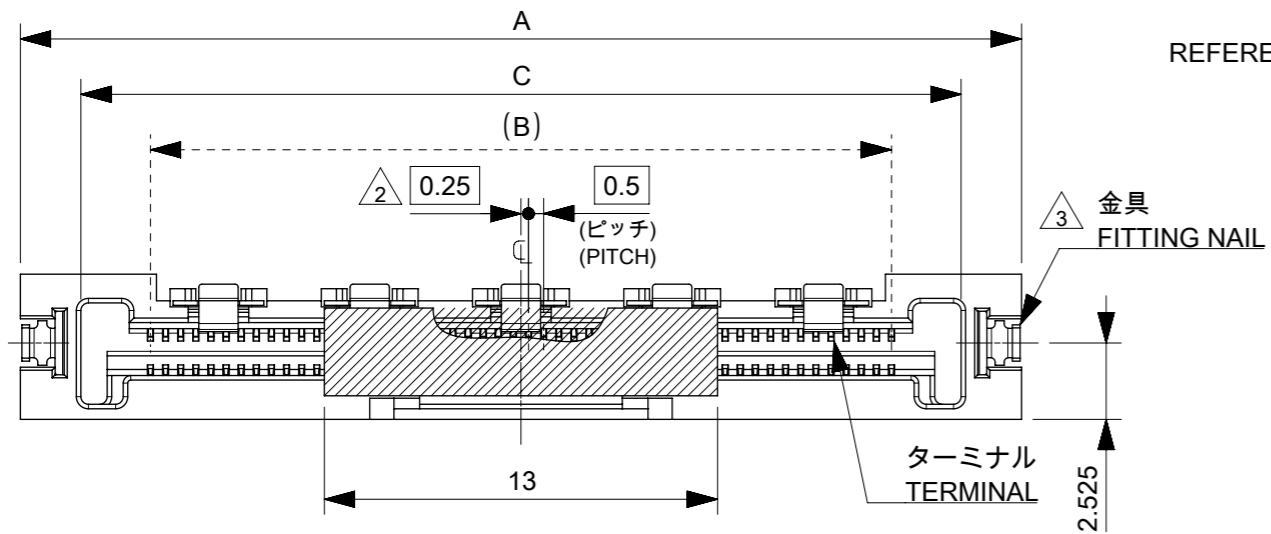
RECOMMENDED PUNCHING DIRECTION : FROM CONDUCTOR SIDE TO STIFFENER SIDE

RECOMMENDED CONDUCTOR SPEC : SOFT COPPER FOIL

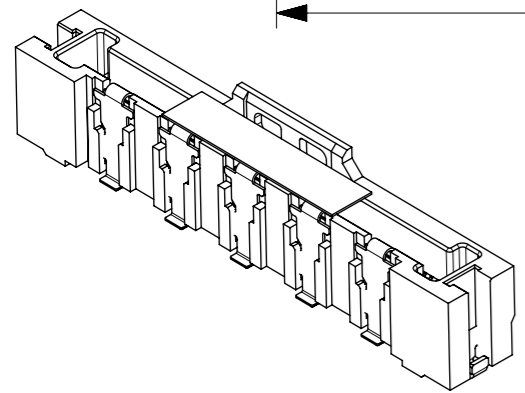
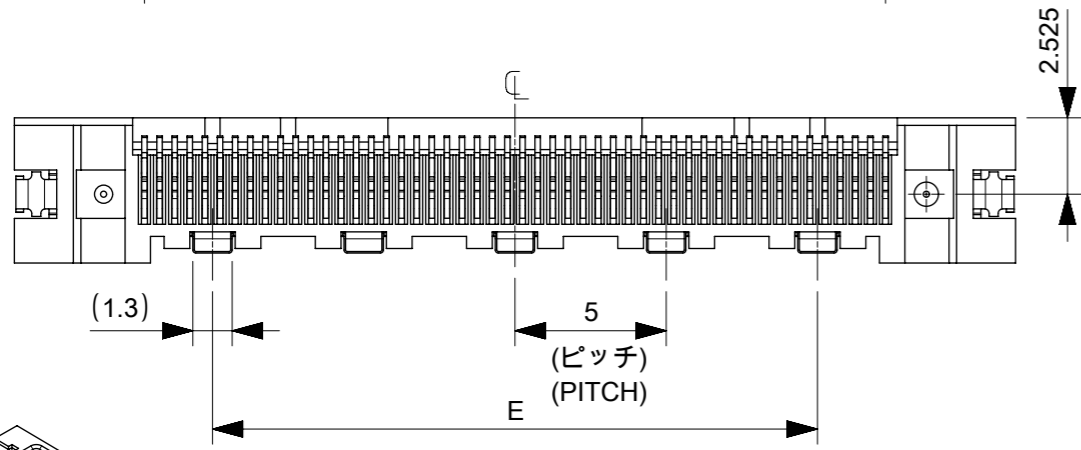
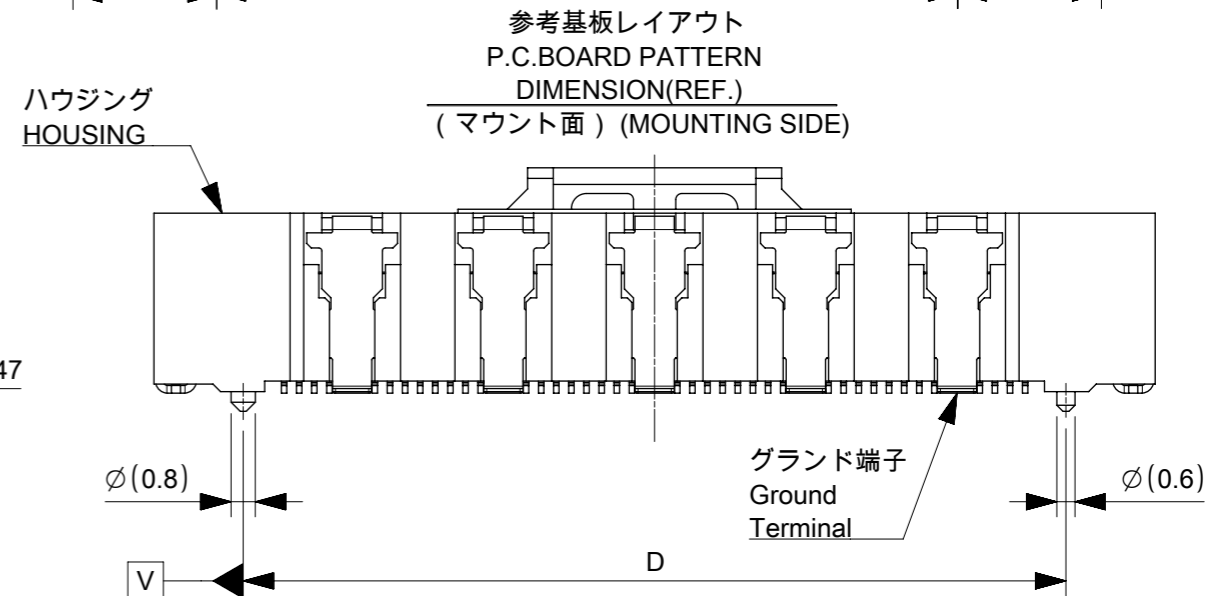
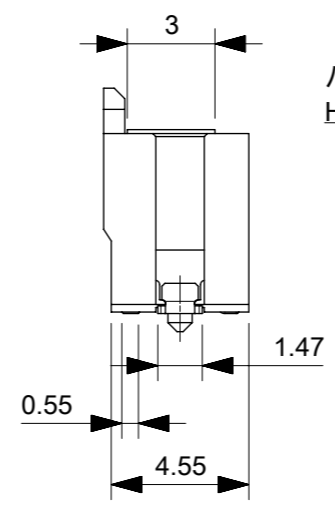
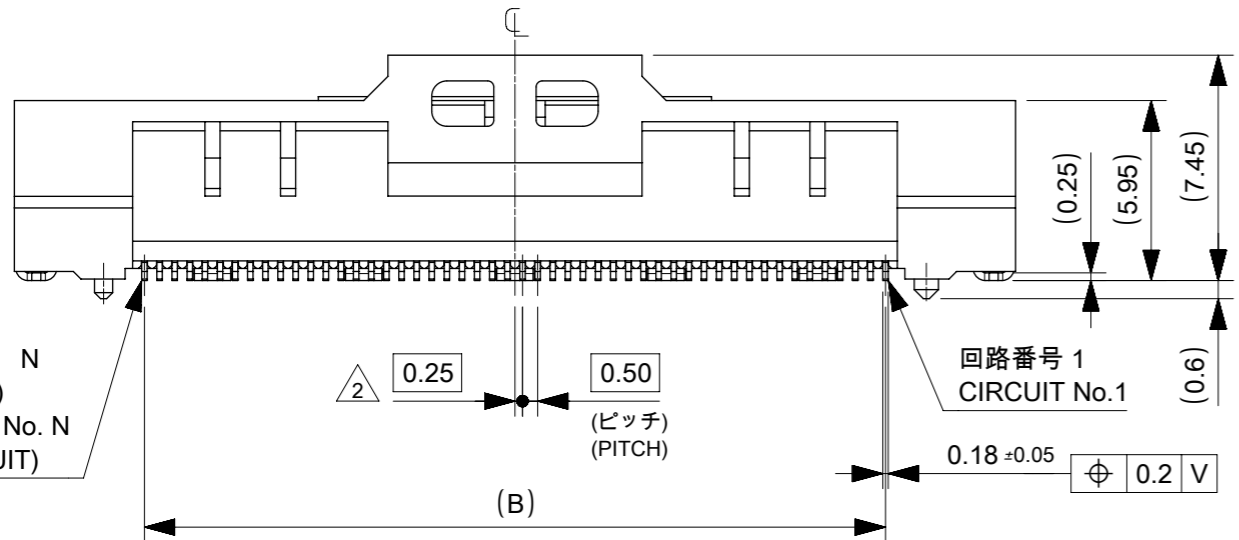
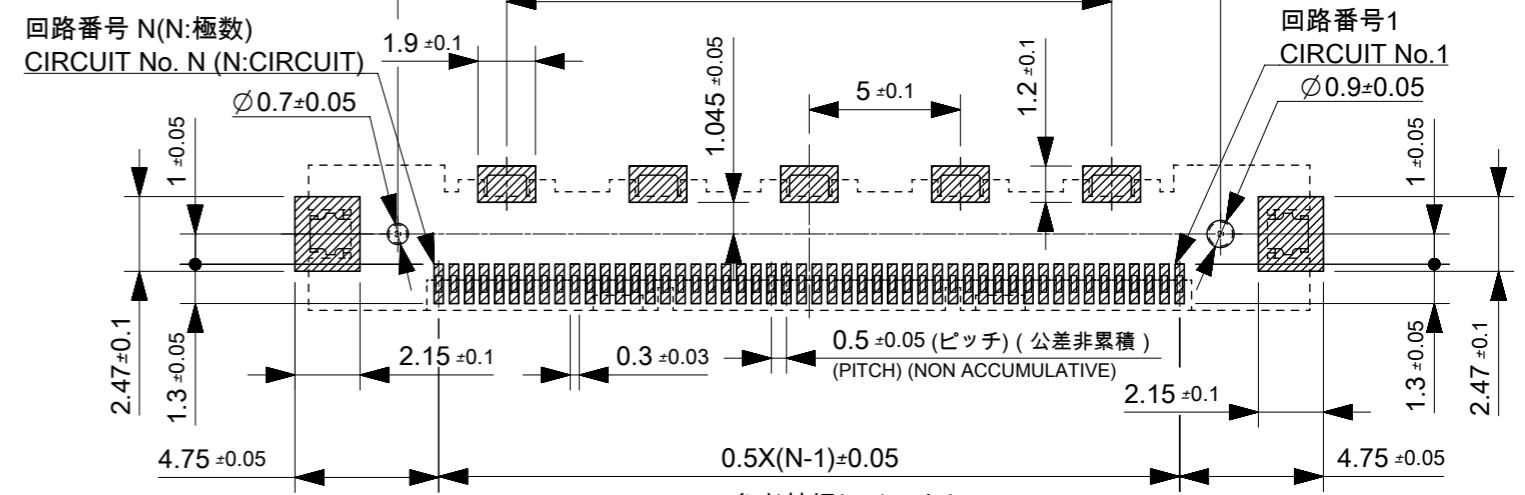
RECOMMENDED CONDUCTOR THICKNESS : 35 MICROMETER OR 50 MICROMETER

NOTE : WHEN ACTUALLY USING IT WITH CONNECTOR, PLEASE DO THE EVALUATION AND THE CONFIRMATION WITH AN ACTUAL EQUIPMENT TO EVADE THE CASE WHERE RELIABILITY CANNOT BE FILLED (THE ADHESIVE LINE OF FFC IS DETERIORATED ETC.)

| | | | | | | | | | |
|---|--|------------------------|--|------------------------------|--|--------|--|--|--|
| THIS DRAWING CONTAINS INFORMATION THAT IS PROPRIETARY TO MOLEX ELECTRONIC TECHNOLOGIES, LLC AND SHOULD NOT BE USED WITHOUT WRITTEN PERMISSION | | | | | | | | | |
| DIMENSION UNITS | | SCALE | | CURRENT REV DESC: | | | | molex | |
| mm | | 1:1 | | | | | | | |
| GENERAL TOLERANCES (UNLESS SPECIFIED) | | | | EC NO: 628512 | | | | 0.5 FFC TO BOARD CONN REC HSG ASSY(ST) | |
| ANGULAR TOL ± 3.0° | | | | DRWN: SKITAZAWA 2020/02/04 | | | | | |
| 4 PLACES ± 0.2 | | | | CHK'D: HSHIMOYAMA 2020/02/04 | | | | | |
| 3 PLACES ± 0.2 | | | | APPR: SHOSHIKAWA 2020/02/04 | | | | | |
| 2 PLACES ± 0.25 | | | | INITIAL REVISION: | | | | PRODUCT CUSTOMER DRAWING | |
| 1 PLACE ± 0.3 | | | | DRWN: NKURAHATTI 2016/02/26 | | | | DOCUMENT NUMBER | |
| 0 PLACES ± 0.3 | | | | APPR: TKUSUHARA01 2017/04/28 | | | | 5017861002 | |
| DRAFT WHERE APPLICABLE MUST REMAIN WITHIN DIMENSIONS | | THIRD ANGLE PROJECTION | | DRAWING | | SERIES | | MATERIAL NUMBER | |
| | | | | A3-SIZE | | 501786 | | CUSTOMER | |
| | | | | | | | | GENERAL MARKET | |
| | | | | | | | | SHEET NUMBER | |
| | | | | | | | | 3 OF 3 | |



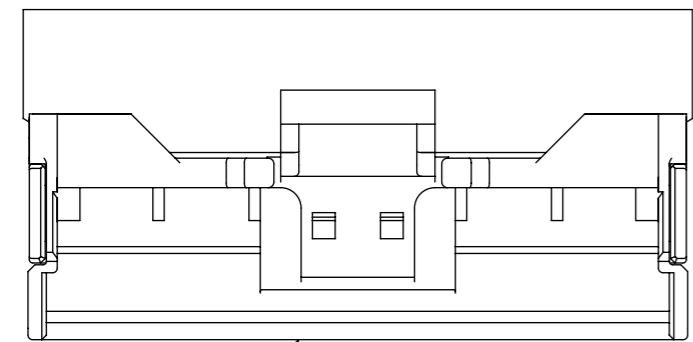
参考マスク厚 : 120 μ m
 REFERENCE SCREEN THICKNESS : 120 μ m
 参考マスク開口率 : 100%
 REFERENCE SCREEN OPEN RATIO : 100%



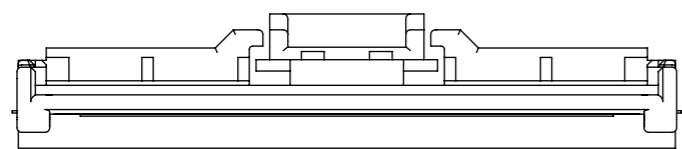
| | | | | | | | | | | | | |
|--------------------|----|------|------|------|------|------------|----|---|---|---|-------------------|------------|
| 5 | 20 | 27.2 | 29.1 | 24.5 | 33.1 | 5017865091 | 50 | | | | | |
| QTY OF GROUND TERM | | | | | | E | D | C | B | A | EMBOSSED TAPE PKG | 極数 CIRCUIT |
| ORDER No. オーダー番号 | | | | | | | | | | | 501786**31 | |

THIS DRAWING CONTAINS INFORMATION THAT IS PROPRIETARY TO MOLEX ELECTRONIC TECHNOLOGIES, LLC AND SHOULD NOT BE USED WITHOUT WRITTEN PERMISSION

| | | | | | | | |
|-------------------|--|---------------------------------------|-----------------------------|--------------------------|-----------------|----------------|--------------|
| REVISED | 2017/12/20 | GENERAL TOLERANCES (UNLESS SPECIFIED) | DIMENSION UNITS | SCALE | molex | | |
| | 2017/12/22 | | mm | 4:1 | | | |
| | 2017/12/25 | | ANGULAR TOL $\pm 3.0^\circ$ | DRWN BY | | DATE | |
| | EC NO: 169864 | | 4 PLACES ± 0.2 | NKURAHATTI | | 2016/03/21 | |
| | DRWN: YCHEN128 | | 3 PLACES ± 0.2 | CHK'D BY | | DATE | |
| CHK'D: KTAKAHASHI | 2 PLACES ± 0.25 | YKOBAYASHI02 | 2017/04/28 | | | | |
| APPR: NUKITA | 1 PLACE ± 0.3 | APPR BY | DATE | | | | |
| | 0 PLACES ± 0.3 | TKUSUHARA01 | 2017/04/28 | | | | |
| | DRAFT WHERE APPLICABLE MUST REMAIN WITHIN DIMENSIONS | DRAWING SIZE | THIRD ANGLE PROJECTION | PRODUCT CUSTOMER DRAWING | | | |
| | | A3 | | SERIES | MATERIAL NUMBER | CUSTOMER | |
| | | | | 501786 | SEE CHART | GENERAL MARKET | |
| | | | | DOCUMENT NUMBER | DOC TYPE | DOC PART | SHEET NUMBER |
| | | | | 5017861002 | PSD | 003 | 1 OF 2 |



4 ジャケット
JACKET



注記
NOTE

1. 使用材料 MATERIAL
ハウジング

: 液晶ポリマー (L C P), ガラス充填,
ULV94-0 色: 黒色
LIQUID CRYSTAL POLYMER(LCP),
GLASS FILLED, UL94V-0 COLOR: BLACK

ターミナル
TERMINAL

: 燐青銅 (t = 0.18)
PHOSPHOR BRONZE (t = 0.18)
コンタクト部: 部分金めっき (0.1μm 以上)
テール部: 部分金めっき

メッキ
PLATING

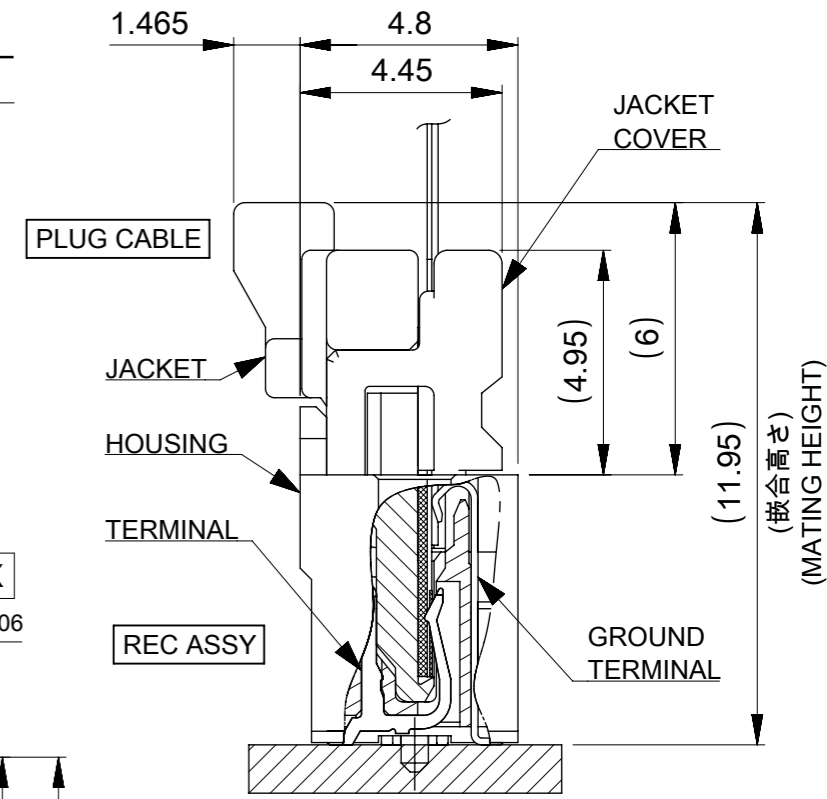
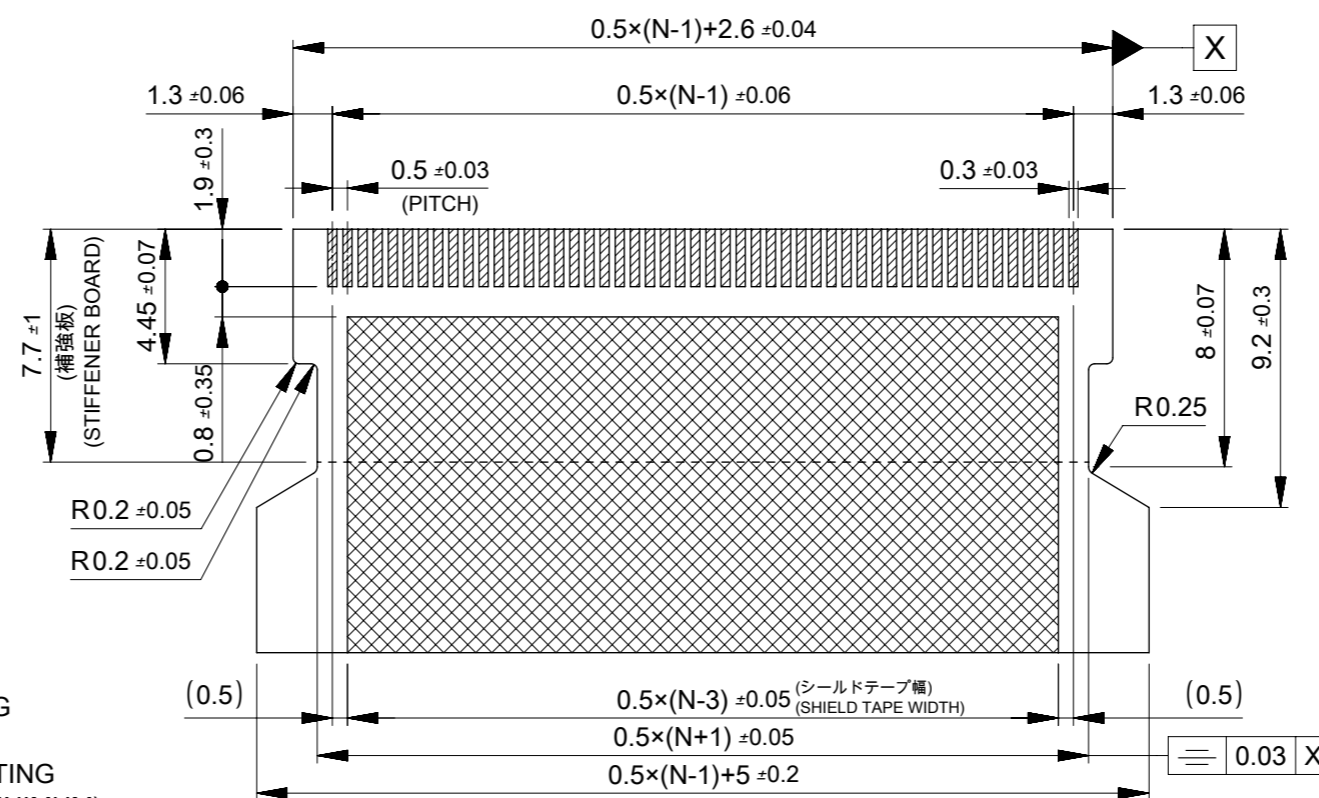
下地: ニッケルめっき (1.0μm 以上)
CONTACT AREA : SEPARATED GOLD PLATING
(0.1μm MINIMUM)
SOLDER TAIL AREA : SEPARATED GOLD PLATING
UNDER PLATING : NICKEL OVERALL (1.0μm MINIMUM)

金具
FITTING NAIL

: 燐青銅 (t = 0.25)
ニッケル下地 錫メッキ (1.0μm 以上)
PHOSPHOR BRONZE (t = 0.25)
TIN OVER NICKEL PLATING (1.0μm MINIMUM)

グラウンド端子
GROUND TERMINAL

: 燐青銅 (t = 0.15)
ニッケル下地 錫メッキ (1.0μm 以上)
PHOSPHOR BRONZE (t = 0.15)
TIN OVER NICKEL PLATING (1.0μm MINIMUM)



6.FFCについて
ABOUT FFC
 打ち抜き方向は導体側から補強板側を推奨します。
 導体部については軟箔銅35μm また50μmを推奨します。
 RECOMMENDED PUNCHING DIRECTION :
 FROM CONDUCTOR SIDE TO STIFFENER SIDE
 RECOMMENDED CONDUCTOR SPEC :
 SOFT COPPER FOIL
 RECOMMENDED CONDUCTOR THICKNESS :
 35MICROMETER OR 50MICROMETER

適合する金めっき FFC 推奨寸法
APPLICABLE FFC OF GOLD PLATING
RECOMENDED DIMENSION
 (仕上がり厚さ : コネクタ接点部 0.3 ± 0.03)
 シールド部 0.44 ± 0.05
 (THICKNESS : CONTACT AREA 0.3 ± 0.03)
 SHIELD AREA 0.44 ± 0.05)

コネクタ接点部 CONTACT AREA
 シールド部 SHIELD AREA

- 2 N = 偶数に適用 (N : 極数)
APPLY FOR N=EVEN(N:CIRCUIT)
- 3 パターン剥離止め用金具
FITTING NAIL FOR PREVENTION OF PEELING
OF P.C.B PATTERN.
- 4 適合ジャケット : 5031505009
製品詳細寸法は 5031505009の図面を参照下さい。
APPLICABLE JACKET:5031505009.
RE DETAILED DIMENSION,SEE DRAWING OF 5031505009.
- 5 適合ジャケットカバー : 5031515009
製品詳細寸法は 5031515009の図面を参照下さい。
APPLICABLE JACKET:5031515009.
RE DETAILED DIMENSION,SEE DRAWING OF 5031515009.

THIS DRAWING CONTAINS INFORMATION THAT IS PROPRIETARY TO MOLEX ELECTRONIC TECHNOLOGIES, LLC AND SHOULD NOT BE USED WITHOUT WRITTEN PERMISSION

| | | | | | | | | |
|---------------|------------|--|---------------------------------------|------------------------|--|-----------------|----------------|--------------|
| REVISED | 2017/12/20 | DRWN: YCHEN128 | GENERAL TOLERANCES (UNLESS SPECIFIED) | DIMENSION UNITS | SCALE | | | |
| | 2017/12/22 | CHK'D: KTAKAHASHI | ANGULAR TOL ± 3.0 ° | mm | ±± | | | |
| | 2017/12/25 | APPR: NUKITA | 4 PLACES ± 0.2 | DRWN BY | DATE | | | |
| | | | 3 PLACES ± 0.2 | NKURAHATTI | 2016/03/21 | | | |
| | | | 2 PLACES ± 0.25 | CHK'D BY | DATE | | | |
| | | 1 PLACE ± 0.3 | YKOBAYASHI02 | 2017/04/28 | 0.5 FFC TO BOARD CONN REC HSG ASSY(ST) PRODUCT CUSTOMER DRAWING | | | |
| | | 0 PLACES ± 0.3 | APPR BY | DATE | | | | |
| | | DRAFT WHERE APPLICABLE MUST REMAIN WITHIN DIMENSIONS | TKUSUHARA01 | 2017/04/28 | | | | |
| | | | DRAWING SIZE | THIRD ANGLE PROJECTION | | | | |
| | | | A3 | | | | | |
| EC NO: 169864 | | | | | SERIES | MATERIAL NUMBER | CUSTOMER | |
| | | | | | 501786 | SEE CHART | GENERAL MARKET | |
| | | | | | DOCUMENT NUMBER | DOC TYPE | DOC PART | SHEET NUMBER |
| | | | | | 5017861002 | PSD | 003 | 2 OF 2 |