

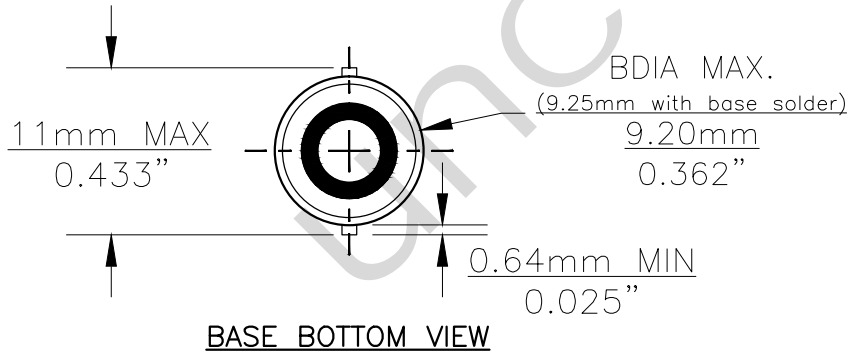
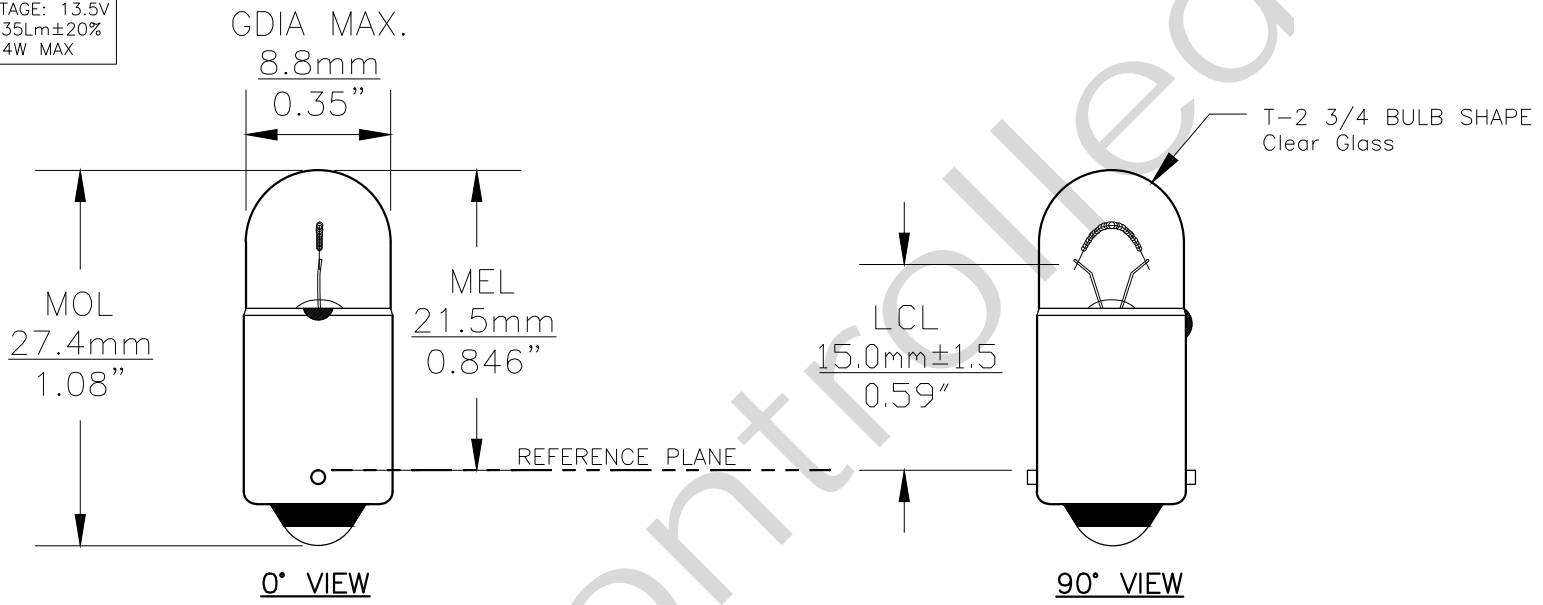


Since 1959

PART NO.	BASE TYPE	DESIGN VOLTS	DESIGN WATTS	MSCD	FILAMENT TYPE	AVERAGE LIFE HOURS
3893	MINIATURE BAYONET (BA9s)	12.0V	4.4W MAX	2.78±20%	C-2R	200

REVISIONS			
REV #	DESCRIPTION	DATE	APPROVED
1	ISSUED	02/01/2002	S.L.
2	UPDATED FILAMENT TYPE & ECE SPECIFICATION	06/17/2009	S.L.
3	REDRAWN FOR ADDITIONAL VIEWS	09/04/2014	R.M.
4	REVISED CP, ADDED ECE SPECS	08/19/2021	M.L.

ECE SPEC.: T4W
 TEST VOLTAGE: 13.5V
 LUMENS: 35Lm±20%
 WATTS: 4.4W MAX



Note: Made according to ECE/R37 specifications

UNLESS OTHERWISE SPECIFIED: DIMENSIONS ARE IN INCHES TOLERANCES		CEC INDUSTRIES LTD	
DECIMALS .XX ± .05	ANGULAR .XXX ± .010	599 BOND STREET	LINCOLNSHIRE, IL 60069
FRACTIONAL ±1/64		TITLE LIGHT BULB NO. 3893 (T4W 12V 4W)	
DRAWN SIDNEY LIU	DATE 02/01/2002	SIZE A	FSCM NO. 3893
CHECKED	DESIGN	DWG NO. 3893	REV 4
MATERIAL	SCALE	PLOT SCALE	SHEET 1 OF 1
	FILE 3893.pdf	DRAWING NOT TO SCALE	