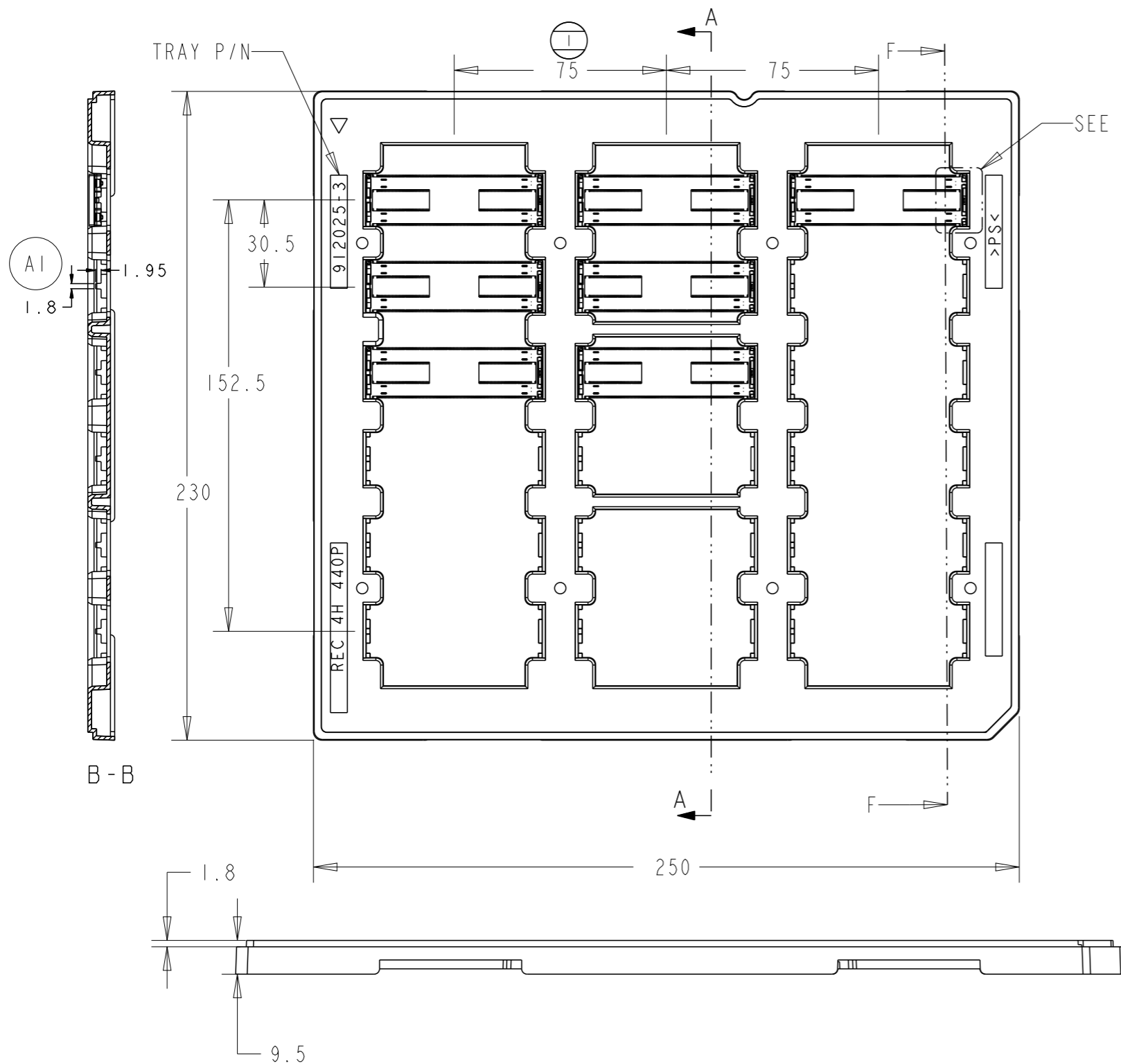



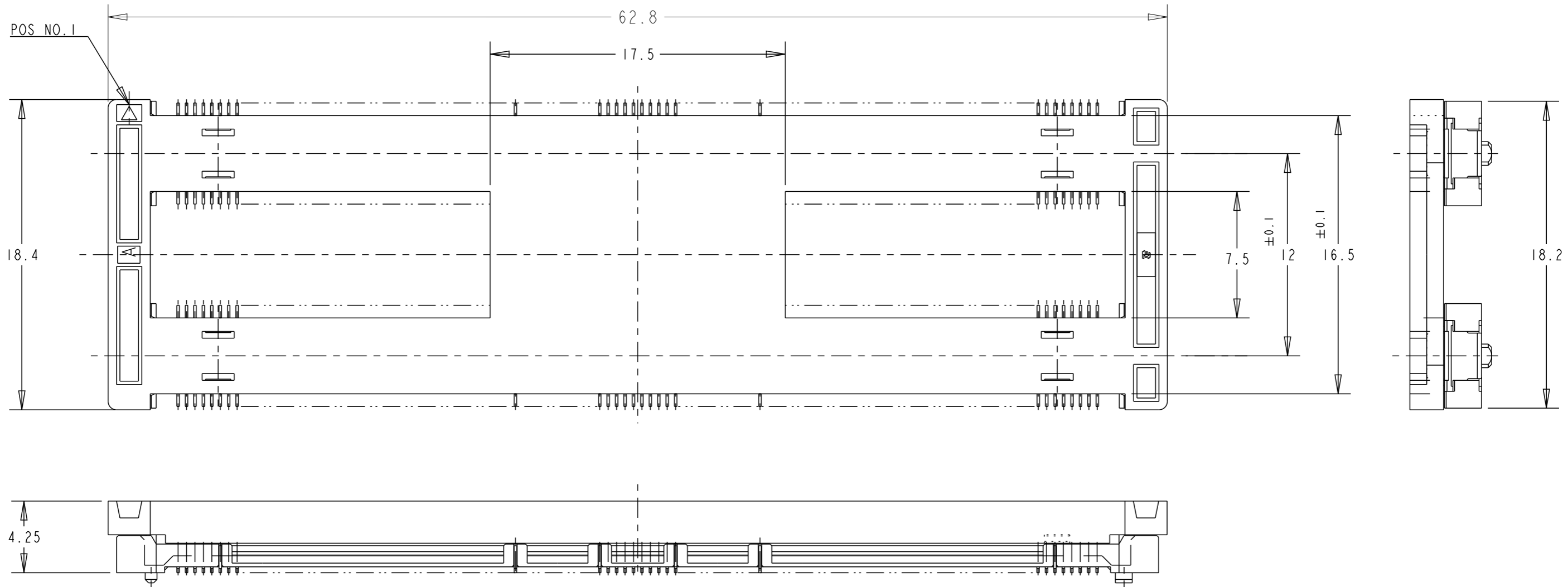
P	LTR	DESCRIPTION	DATE	DWN	APVD
A		FORMAL RELEASE	13OCT2020	A.L	H.L
A1		PER PCN-22-157376	11NOV2022	MC	HL
B		ADD NEW PN	31JAN2023	M.C	H.L





B	30u"	2369315-2
	8u"	2369315-1
MATING ZONE PRECIOUS PLATING THICKNESS		P/N

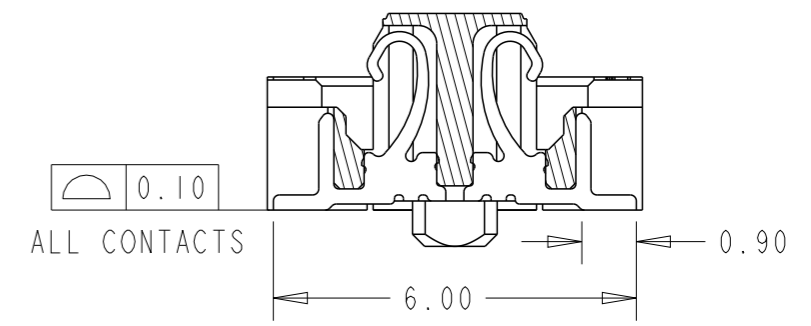
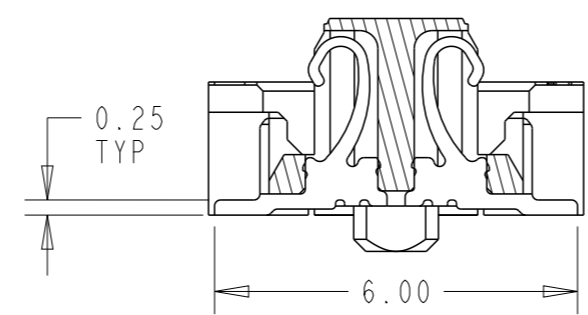
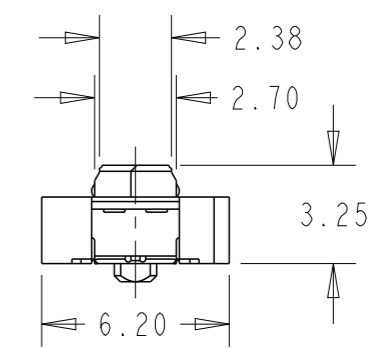
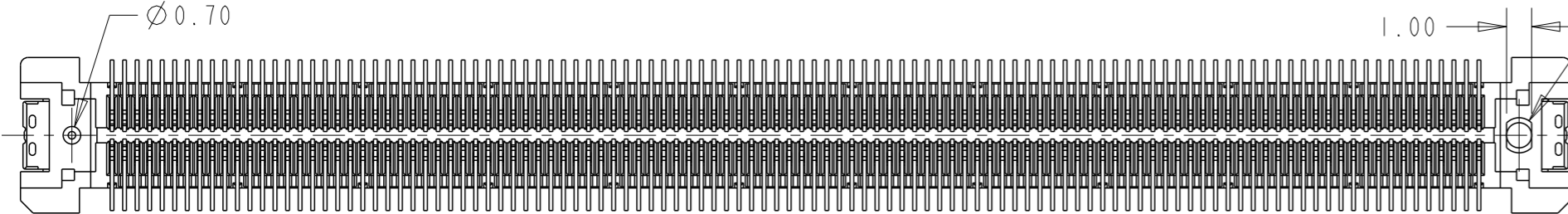
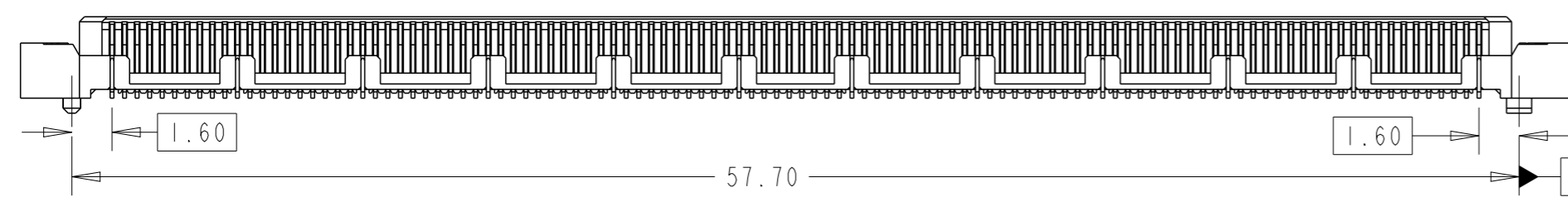
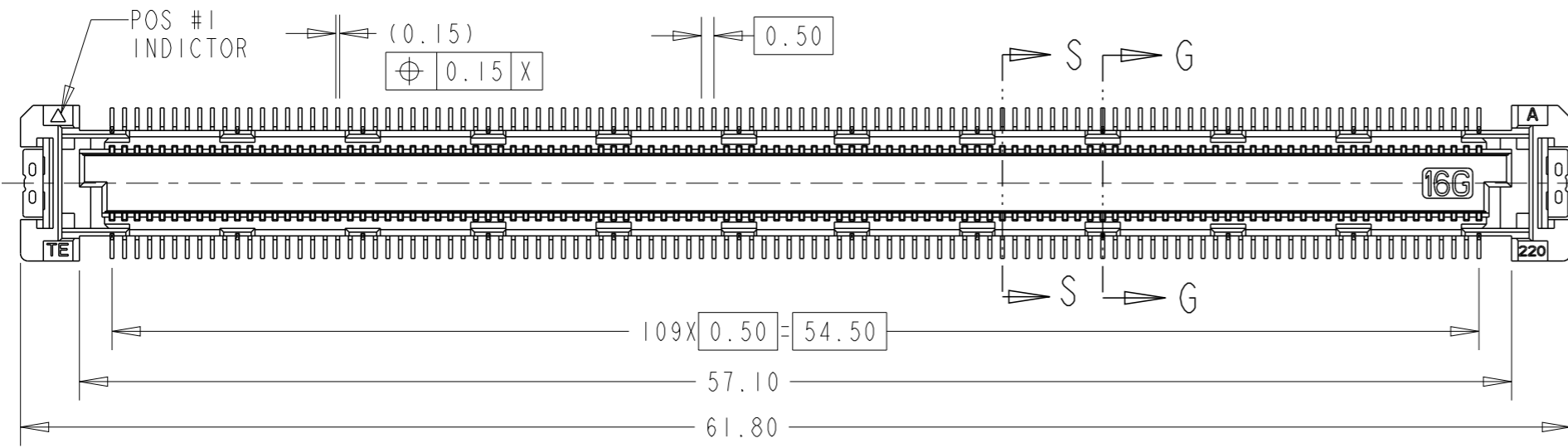
THIS DRAWING IS A CONTROLLED DOCUMENT.		DWN	Art Lin	24FEB2020	 TE Connectivity
DIMENSIONS: mm		CHK	HOPE LU	26FEB2020	
TOLERANCES UNLESS OTHERWISE SPECIFIED:		APVD	HOPE LU	26FEB2020	
0 PLC ±0.5 1 PLC ±0.1 2 PLC ±0.05 3 PLC ±0.025 4 PLC ±0.0100 ANGLES ±3		PRODUCT SPEC	108-32658	NAME	
MATERIAL		APPLICATION SPEC	114-115003	SIZE	A3
SEE NOTE 1		FINISH	-	CAGE CODE	00779
SEE NOTE 2		WEIGHT	-	DRAWING NO	2369315
CUSTOMER DRAWING		SCALE		1:1	SHEET
		RESTRICTED TO		-	OF
		REV		B	4

P	LTR	DESCRIPTION	DATE	DWN	APVD
-	-	SEE SHEET 1	-	-	-



THIS DRAWING IS A CONTROLLED DOCUMENT.		DWN	24FEB2020		 TE Connectivity				
		CHK	Art Lin 26FEB2020						
		APVD	HOPE LU 26FEB2020						
		PRODUCT SPEC	HOPE LU 26FEB2020						
DIMENSIONS: mm		TOLERANCES UNLESS OTHERWISE SPECIFIED:		NAME					
		0 PLC ± 0.5		4H RECEPTACLE ASSY 440POS					
		1 PLC ± 0.1		FH 0.5 BTB 16Gbps					
		2 PLC ± 0.05		SIZE		CAGE CODE	DRAWING NO	RESTRICTED TO	
		3 PLC ± 0.025		108-32658		A3	00779	C-2369315	-
		4 PLC ± 0.0100		APPLICATION SPEC		SCALE 1:1 SHEET 2 OF 4 REV B			
MATERIAL		FINISH		WEIGHT		CUSTOMER DRAWING			
SEE NOTE 1		SEE NOTE 2		-					

P	LTR	DESCRIPTION	DATE	DWN	APVD
-	-	SEE SHEET 1	-	-	-



SECTION G-G
SCALE 8:1
(GROUND CONTACTS)

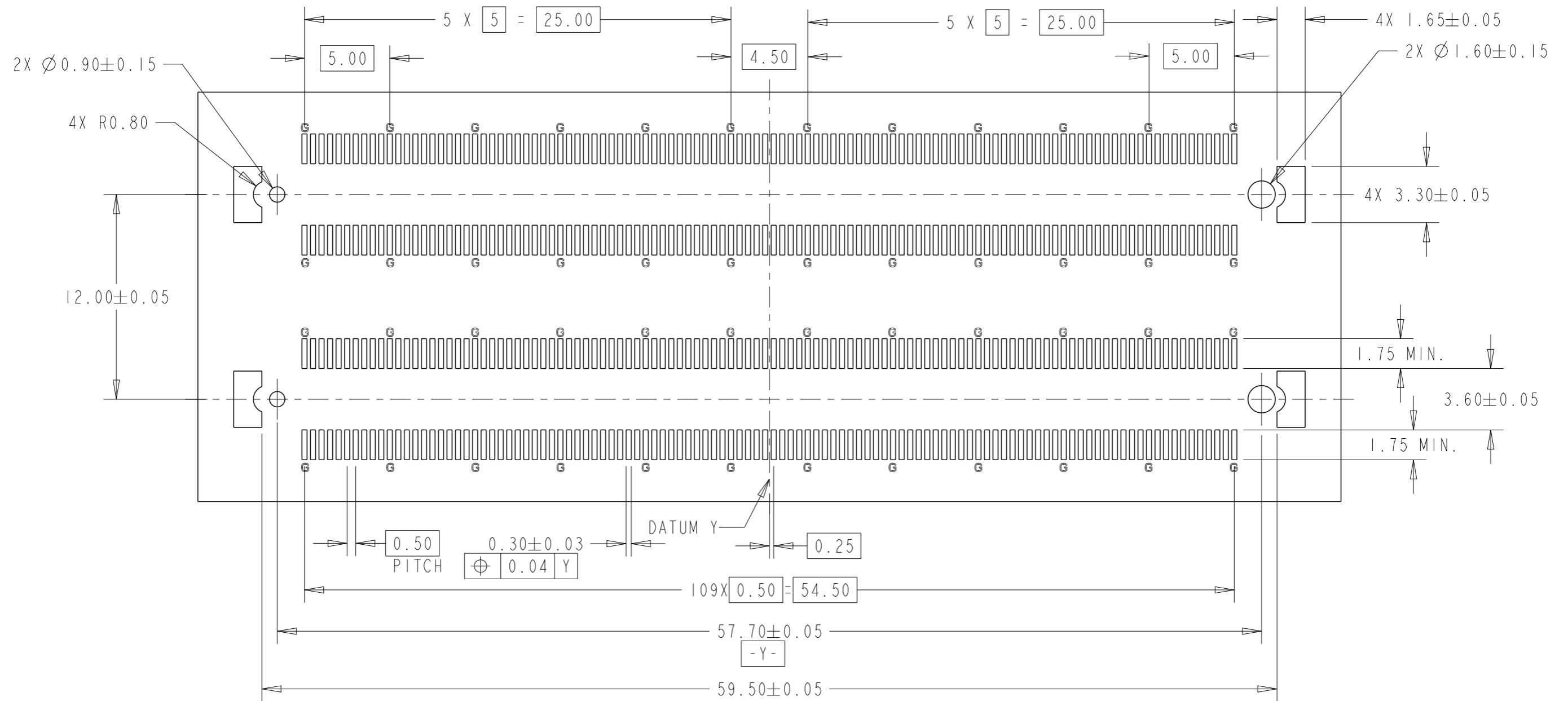
SECTION S-S
SCALE 8:1
(SIGNAL CONTACTS)

NOTES:


- MATERIAL
HOUSING : HIGH TEMP THERMO PLASTIC UL94V-0
CONTACT : COPPER ALLOY
SOLDER PEG : COPPER ALLOY
- FINISH
UNDERPLATED : 1.27um MIN. NICKEL ALL OVER
CONTACT MATING AREA : MEETS THE PERFORMANCE REQUIREMENTS OF TE CONNECTIVITY PRODUCT SPECIFICATION 108-32658.
SOLDER AREA : GOLD FLASH
- CAP COLOR IS BLACK.

THIS DRAWING IS A CONTROLLED DOCUMENT.		DWN	24FEB2020		 TE Connectivity								
		Art Lin											
		CHK	26FEB2020										
		HOPE LU											
		APVD	26FEB2020		NAME 4H RECEPTACLE ASSY 440POS FH 0.5 BTB 16Gbps								
		HOPE LU											
		PRODUCT SPEC	108-32658		SIZE A3								
		APPLICATION SPEC	114-115003										
		WEIGHT			CAGE CODE	00779	DRAWING NO	G-2369315		RESTRICTED TO	-		
MATERIAL		-		FINISH		-		SCALE	1:1	SHEET	3 OF 4	REV	B
SEE NOTE 1		SEE NOTE 2		CUSTOMER DRAWING									

P	LTR	DESCRIPTION	DATE	DWN	APVD
-	-	SEE SHEET 1	-	-	-



SCALE 4:1
REFERENCE P.C. BOARD LAYOUT
G:Ground

THIS DRAWING IS A CONTROLLED DOCUMENT.		DWN Art Lin	24FEB2020	 TE Connectivity	
DIMENSIONS: mm		CHK HOPE LU	26FEB2020		
TOLERANCES UNLESS OTHERWISE SPECIFIED:		APVD HOPE LU	26FEB2020	NAME 4H RECEPTACLE ASSY 440POS FH 0.5 BTB 16Gbps	
0 PLC ± 0.5 1 PLC ± 0.1 2 PLC ± 0.05 3 PLC ± 0.025 4 PLC ± 0.0100 ANGLES ± 3		PRODUCT SPEC 108-32658	SIZE A3		
MATERIAL SEE NOTE 1		APPLICATION SPEC 114-115003	DRAWING NO C-2369315		RESTRICTED TO -
FINISH SEE NOTE 2		WEIGHT -	SCALE 1:1		SHEET 4 OF 4
		CUSTOMER DRAWING		REV B	