

| LOC | DIST | REVISIONS | | | | | |
|-----|------|-----------|-----|--|-----------|-----|------|
| GP | 00 | P | LTN | DESCRIPTION | DATE | DWN | APVD |
| | | A | | INITIAL RELEASE | 08JUN2020 | VL | SH |
| | | A2 | | ADD NEW PN 2358986-4 AND 2358986-5 | 25FEB2022 | SZ | SZ |
| | | A3 | | REMOVE ONE EON PIN FROM -5 PER REQUEST | 25MAY2022 | SZ | SZ |
| | | A4 | | ADD NEW PN 2358986-6 | 18OCT2022 | RZ | SZ |

MATERIAL:
 CAGE - 0.25mm THICK NICKEL SILVER ALLOY
 HEATSINK - THERMAL BRIDGE COPPER ALLOY
 EMI SPRING(S) - COPPER ALLOY

FINISH:
 HEATSINK - ELECTROLESS NICKEL
 EMI SPRING(S) - 0.8um MIN MATTE TIN OVER 0.8um MIN NICKEL,
 NON-PLATED EDGES PERMISSIBLE.

3. MATES WITH SFP MSA COMPLIANT TRANSCEIVERS.

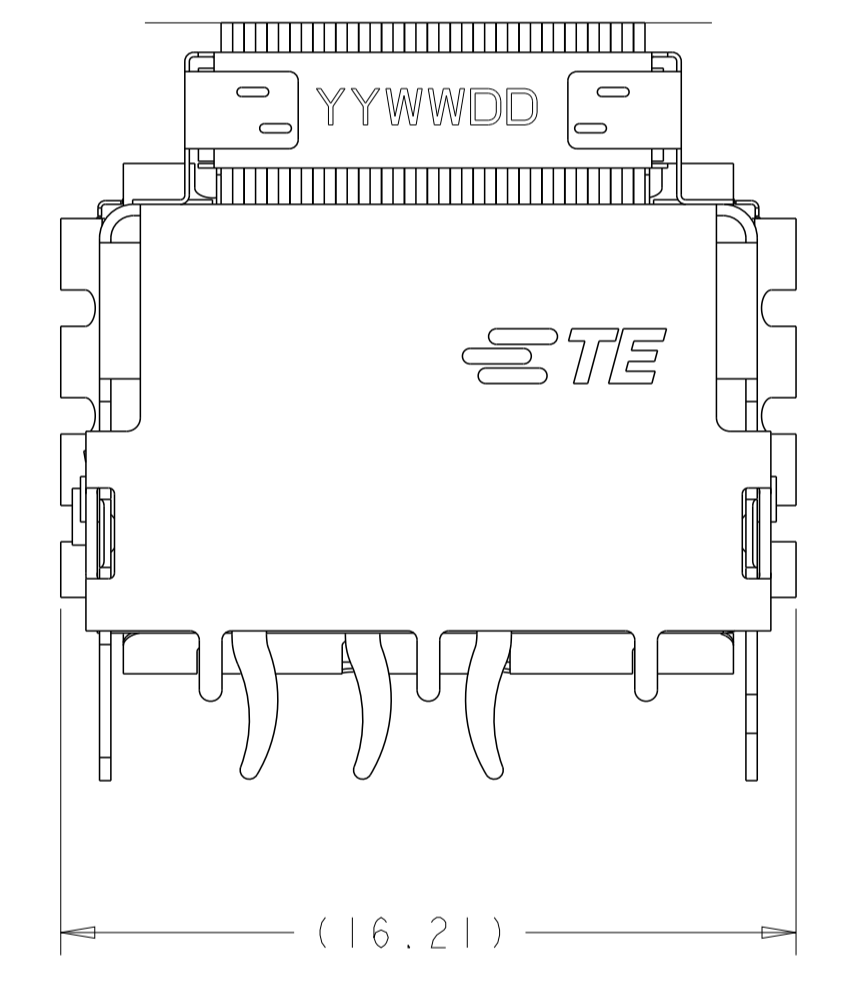
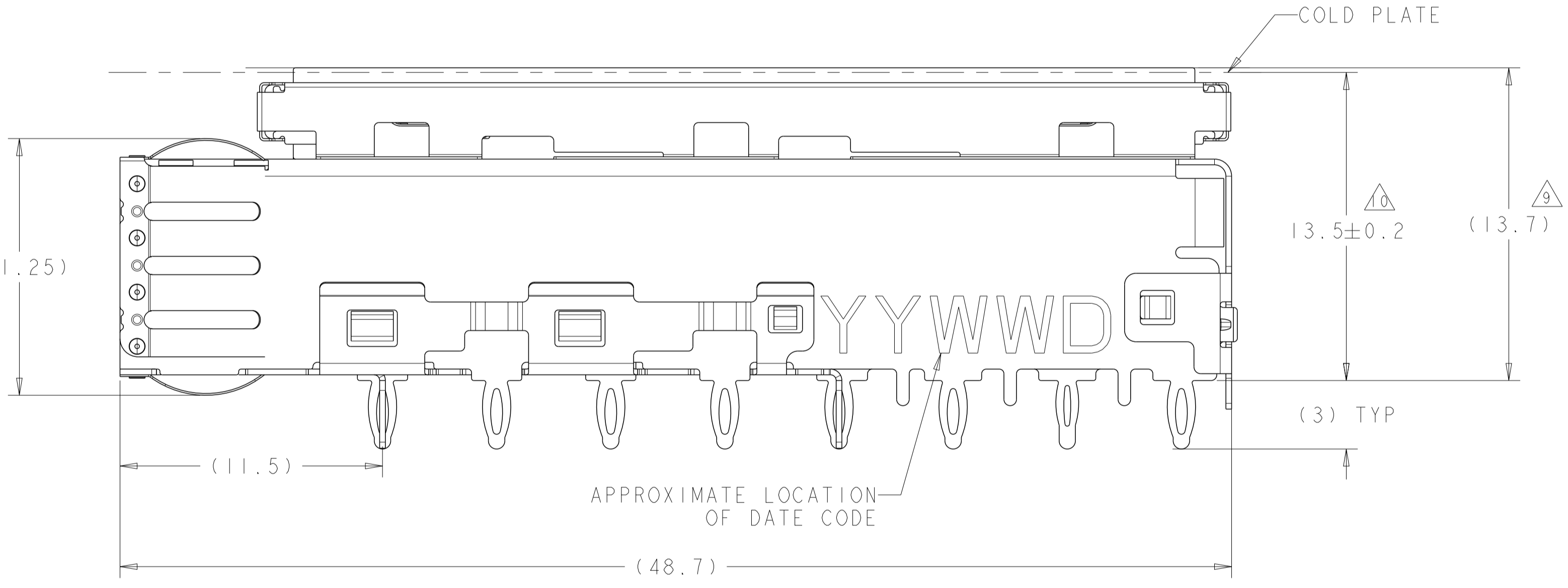
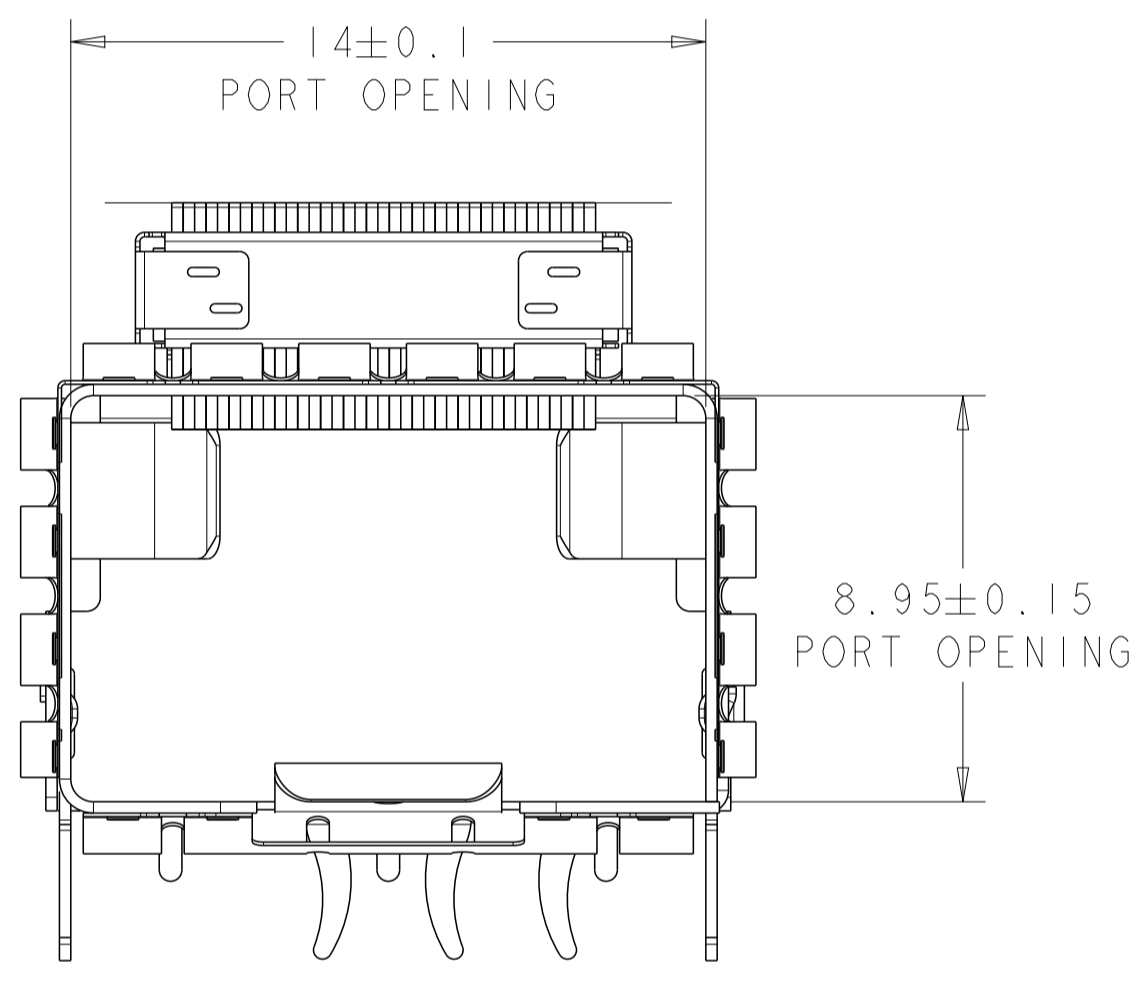
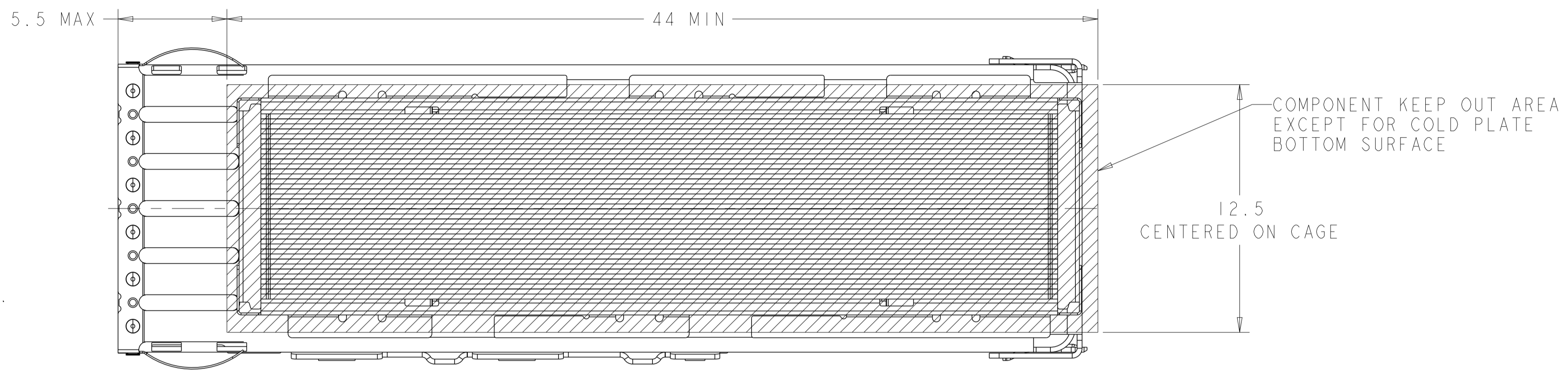
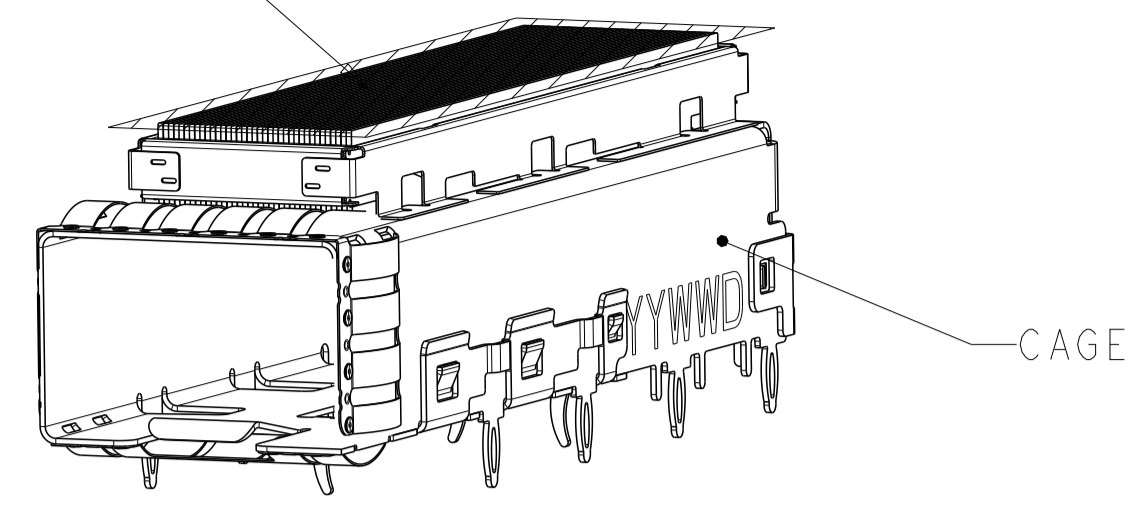
4. PADS AND VIAS CHASSIS GROUND.

5. DATUM AND BASIC DIMENSION ESTABLISHED BY CUSTOMER.

6. MINIMUM PC BOARD THICKNESS:
 SINGLE SIDED = 1.50mm
 DOUBLE SIDED = 3.00mm

7. REFERENCE APPLICATION SPEC. 114-13120, HOLE A, FOR
 RECOMMENDED DRILL HOLE DIAMETER AND PLATING THICKNESS.

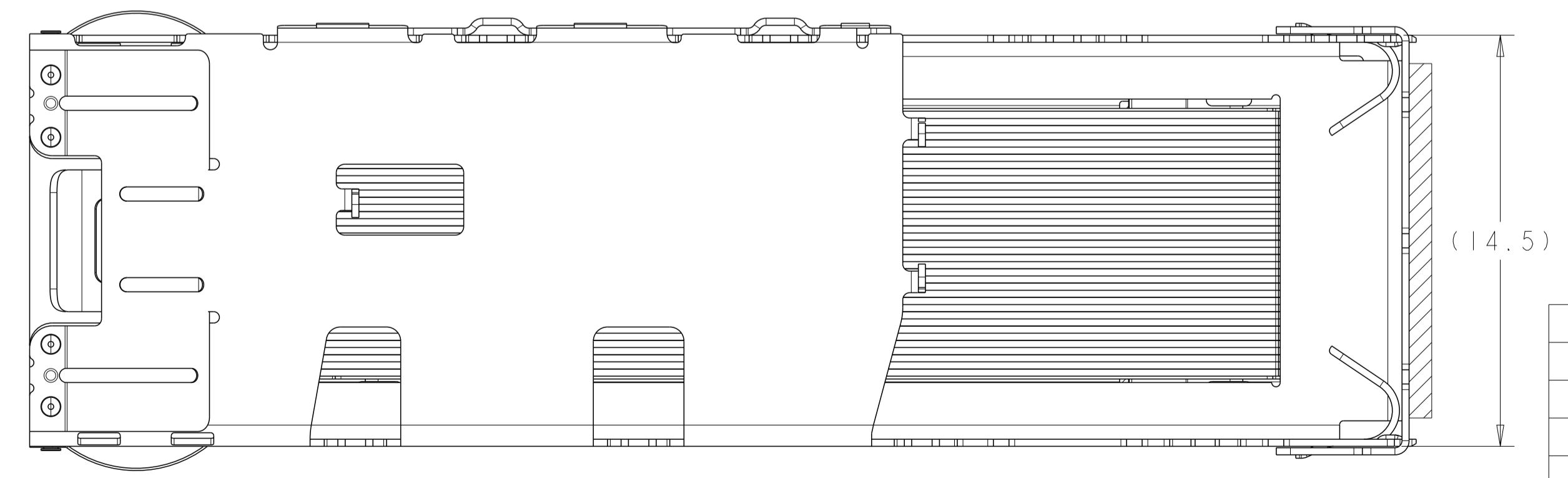
THERMAL BRIDGE HEATSINK



8. REFERENCE APPLICATION SPEC. 114-13120, HOLE C, FOR
 RECOMMENDED DRILL HOLE DIAMETER AND PLATING THICKNESS.

9. DIMENSION APPLIES PRIOR TO INSERTION OF SFP MODULE.

10. RECOMMENDED STANDOFF HEIGHT FOR COLD PLATE:
 OPTION 1: 13.50 +/-0.20 MM WITH THERMAL GREASE, THERMAL
 GREASE THICKNESS: 0.10+/-0.05MM.
 OPTION 2: 13.40+/-0.20 MM WITHOUT THERMAL GREASE.



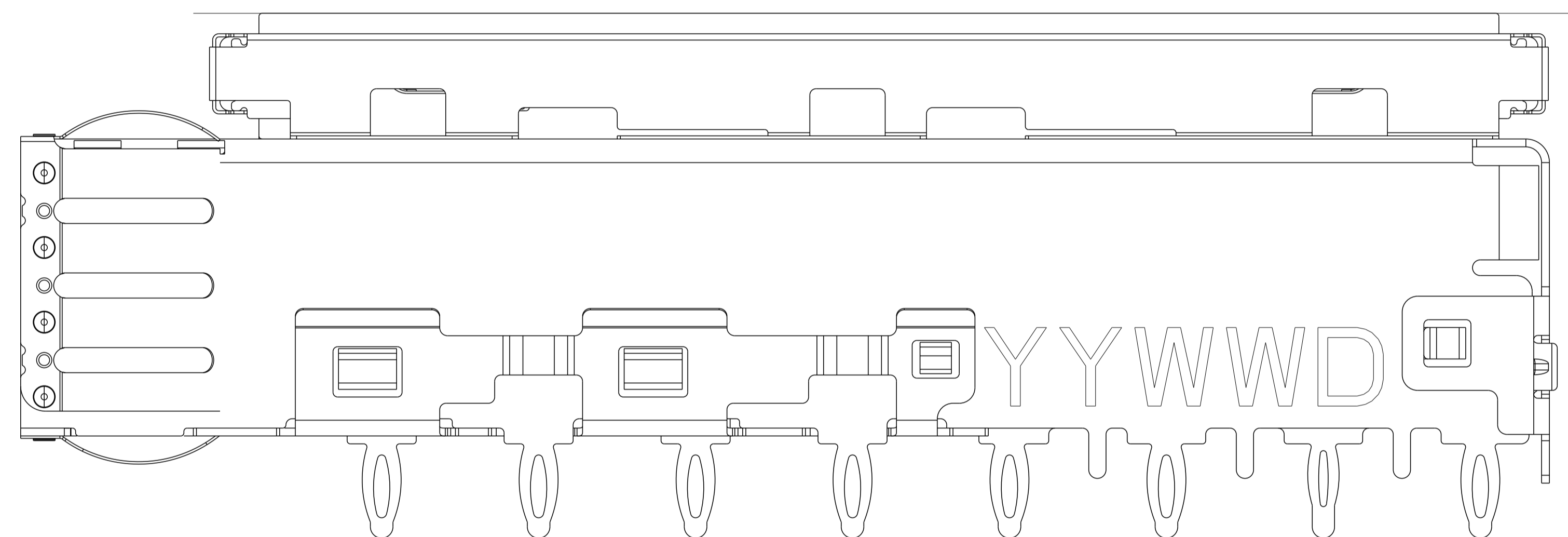
| | | |
|--------------------|-------------------------|-------------|
| SHEET 5 | THERMA BRIDGE W/CHAMFER | 2358986-6 |
| SHEET 4 | THERMA BRIDGE W/CHAMFER | 2358986-5 |
| T/H TYPE, SUS CAGE | THERMA BRIDGE | 2358986-4 |
| NO LOCATED PINS | THERMA BRIDGE | 2358986-3 |
| - | THERMA BRIDGE | 2358986-1 |
| REMARK | HEAT SINK TYPE | PART NUMBER |

THIS DRAWING IS A CONTROLLED DOCUMENT.

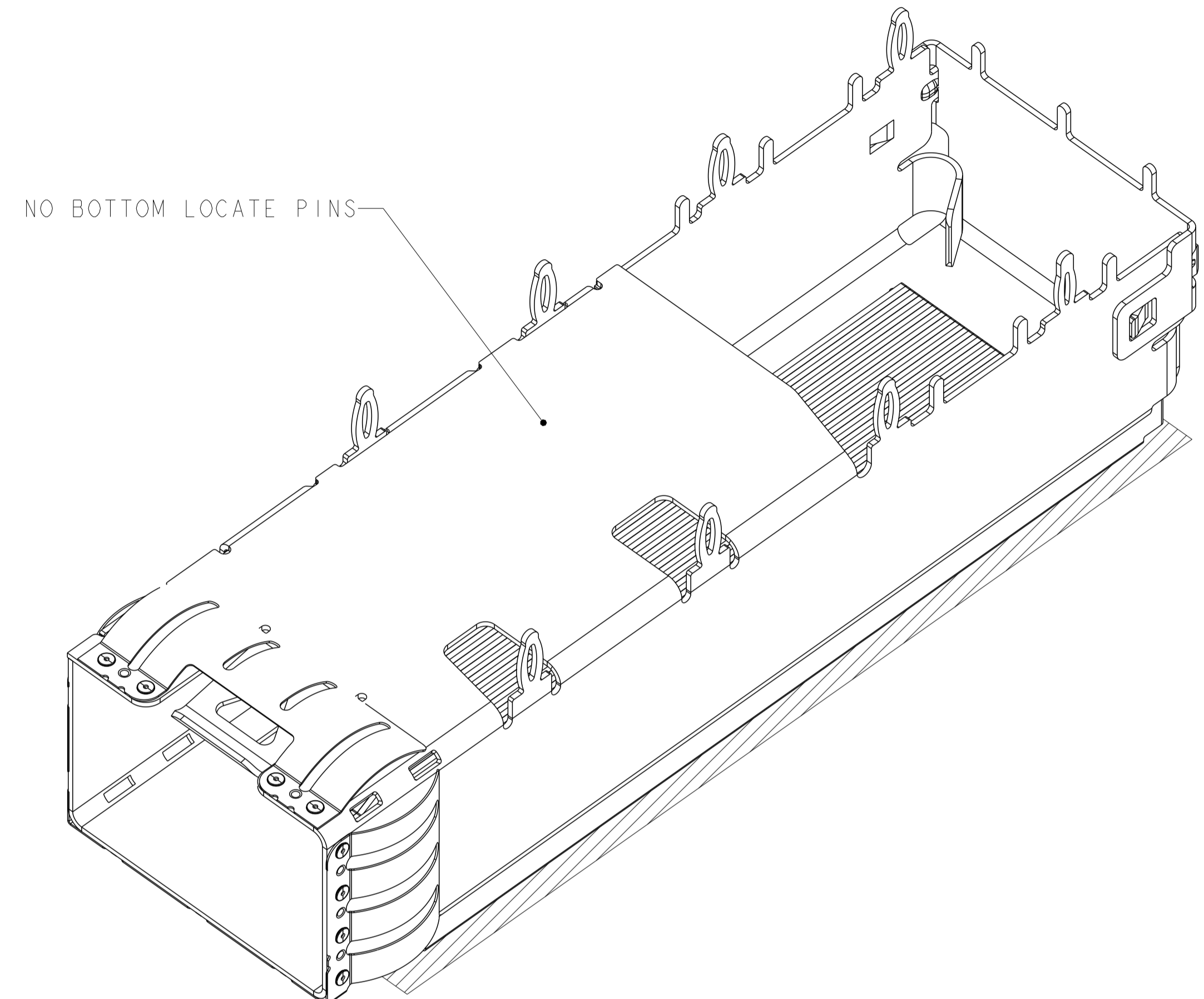
| | | | |
|-------------|--|--|-------------------------------|
| DIMENSIONS: | TOLERANCES UNLESS OTHERWISE SPECIFIED: | DWN VINDY LIU 13JUL2019 | |
| mm | 0 PLC ±0.30 | CHK SEAN HAN 13JUL2019 | |
| | 2 PLC ±0.20 | APVD SEAN HAN 13JUL2019 | |
| | 3 PLC ± | NAME SFP+ 1X1 CAGE ASSEMBLY, PRESS-FIT EXTERNAL EMI SPRINGS, W/ TB | |
| MATERIAL | FINISH | APPLIC. SPEC 108-2364/108-130042 | RESTRICTED TO |
| | | 114-130017 | SIZE CAGE CODE DRAWING NO |
| | | WEIGHT | A100779C=2358986_C |
| | | CUSTOMER DRAWING | SCALE 6:1 SHEET 1 OF 7 REV A4 |

| LOC | DIST | REVISIONS | | | |
|-----|------|-------------|------|-----|------|
| P | LYR | DESCRIPTION | DATE | OWN | APVD |
| - | - | SEE SHEET 1 | - | - | - |
| | | | | | |
| | | | | | |

2358986-3 AS SHOWN:
SAME AS -1 EXCEPT W/O BOTTOM 3 LOCATE PINS



2358986-3
SCALE 8:1



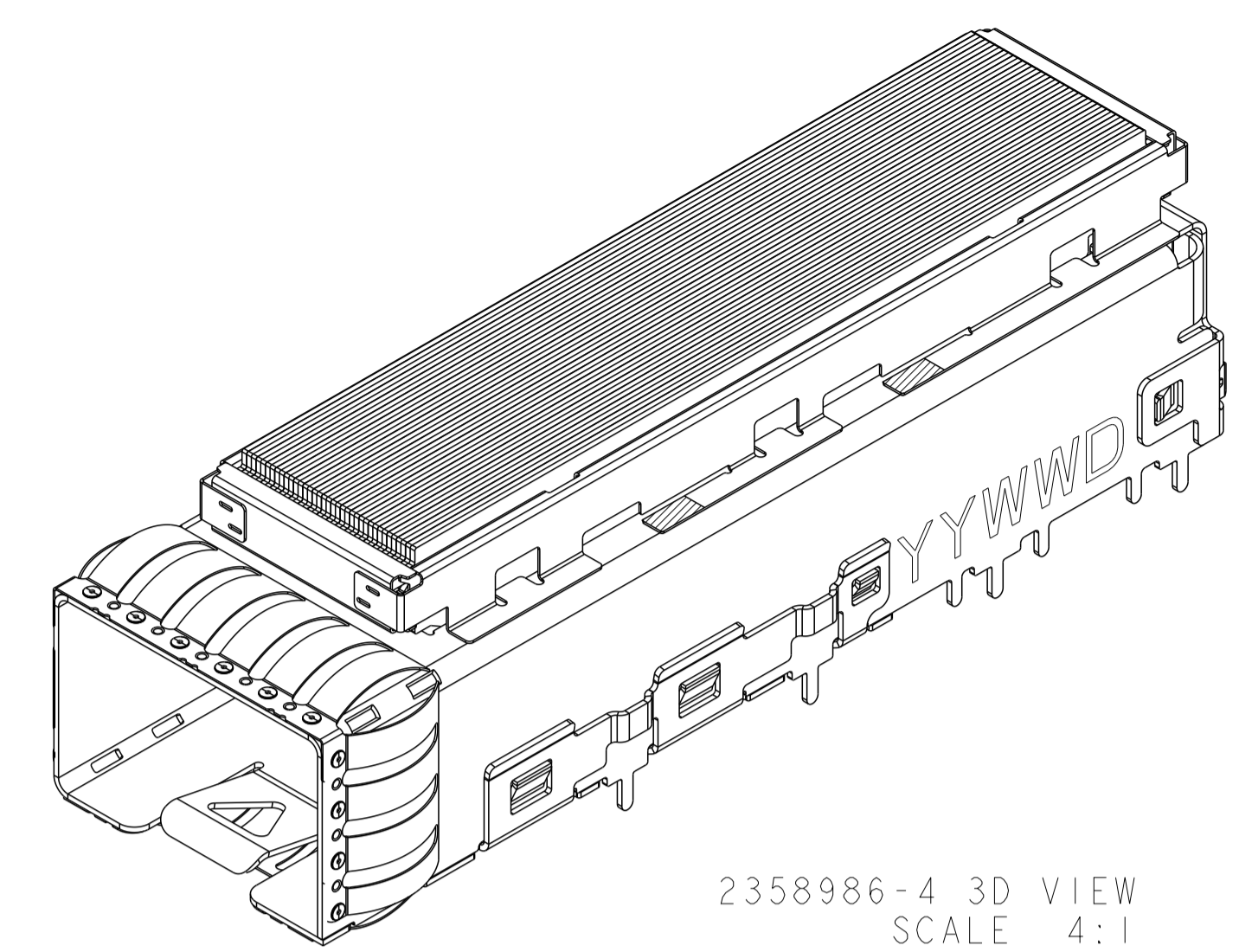
SCALE 6:1

| | | | | |
|--|-------------|----------------------------------|------------------------|---|
| THIS DRAWING IS A CONTROLLED DOCUMENT. | | OWN VINDY LIU 13JUL2019 | | NAME SFP+ 1X1 CAGE ASSEMBLY, PRESS-FIT EXTERNAL EMI SPRINGS, W/ TB |
| DIMENSIONS: | | CHK SEAN HAN 13JUL2019 | | |
| TOLERANCES UNLESS OTHERWISE SPECIFIED: | | APVD SEAN HAN 13JUL2019 | | |
| mm | | PRODUCT SPEC 108-2364/108-130042 | | |
| 0 PLC ± | 1 PLC ±0.30 | APPLICATION SPEC 114-130017 | SIZE A1 | CAGE CODE 00779 |
| 2 PLC ±0.20 | 3 PLC ± | WEIGHT - | DRAWING NO C=2358986_C | RESTRICTED TO - |
| 4 PLC ± | ANGLES ± | CUSTOMER DRAWING | SCALE 6:1 | SHEET 2 OF 7 |
| FINISH | | | | REV A4 |

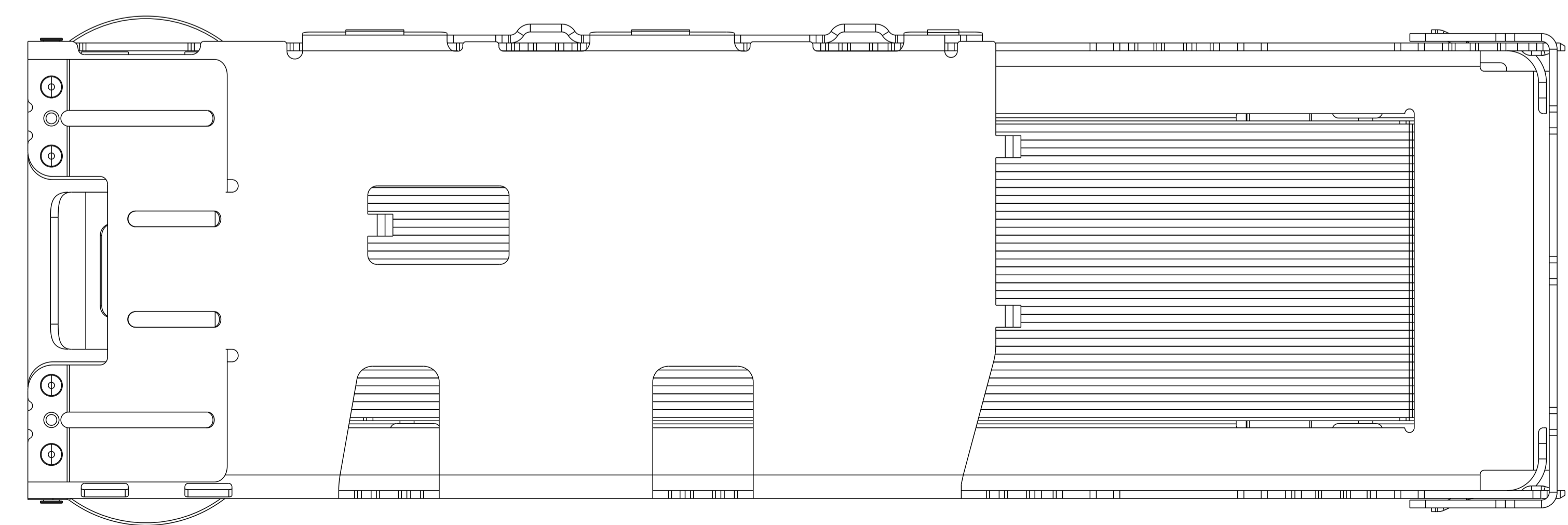
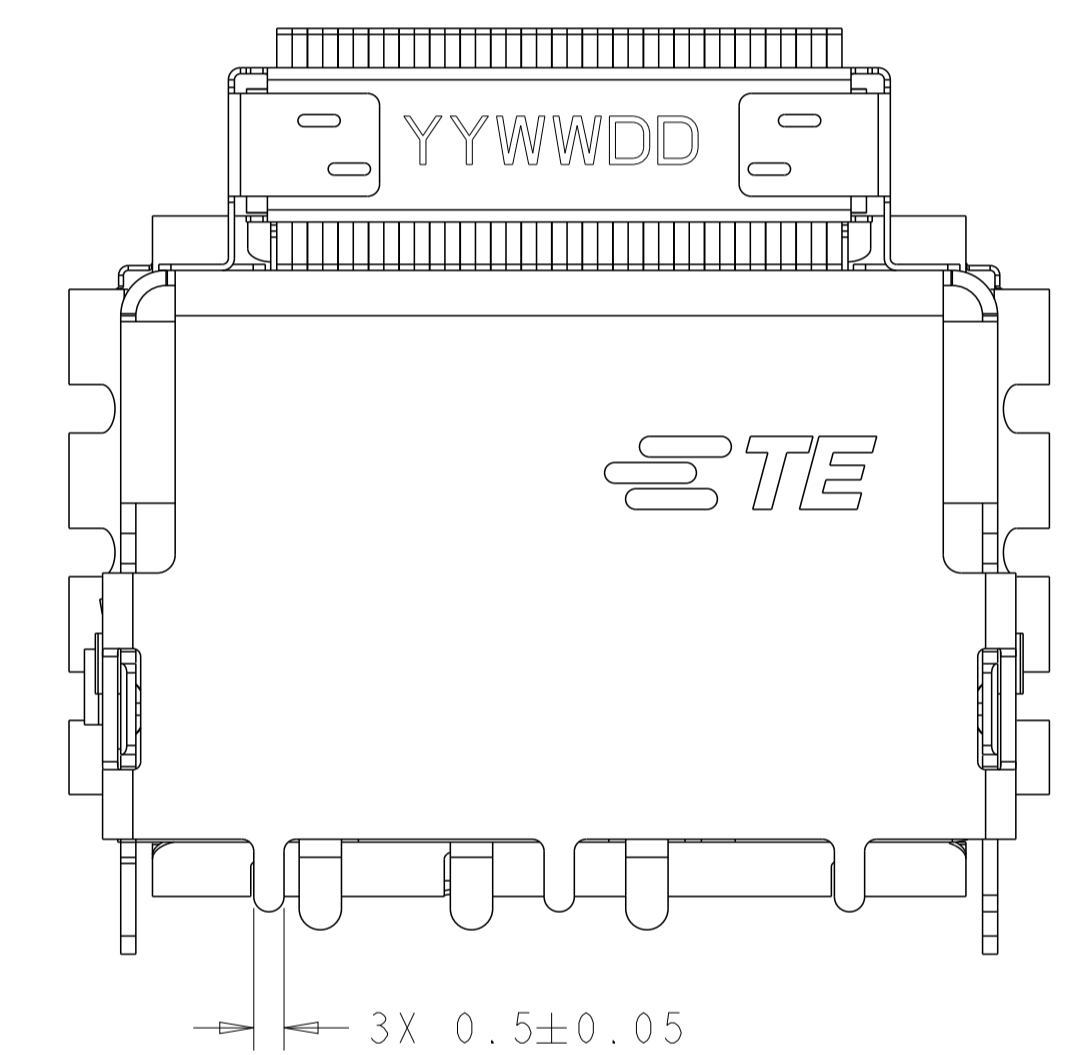
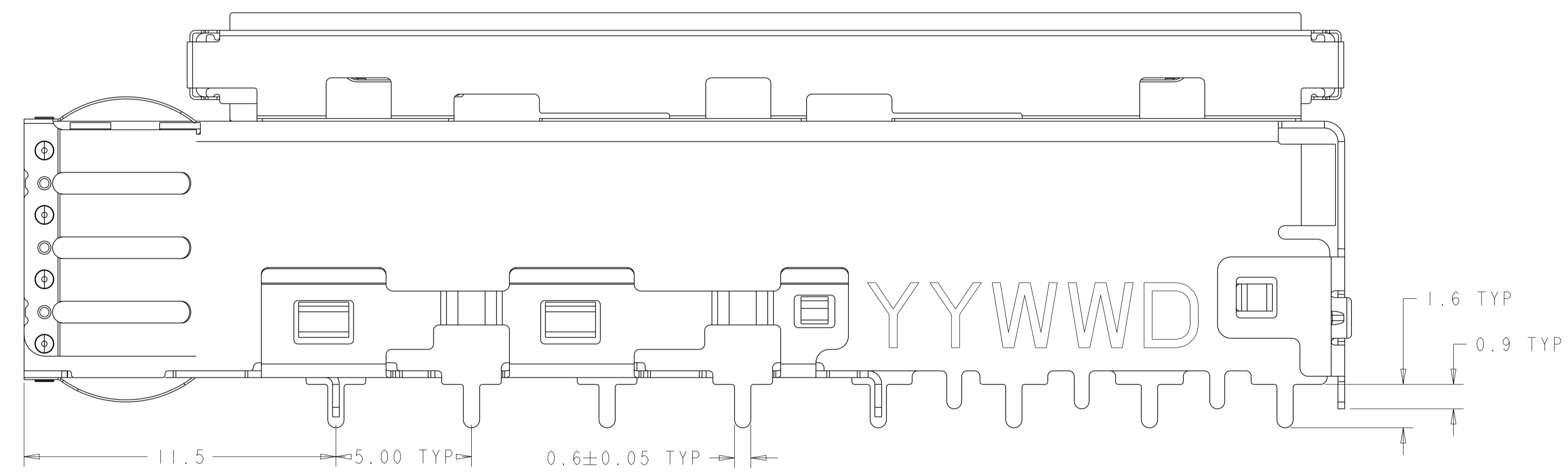
| LOC | DIST | REVISIONS | | | |
|-----|------|-------------|------|-----|------|
| P | LYR | DESCRIPTION | DATE | OWN | APVD |
| GP | 00 | SEE SHEET 1 | - | - | - |
| | | | | | |
| | | | | | |

2358986-4 AS SHOWN:
 SAME AS 2358986-1 EXCEPT FOR BELOW ITEMS

1. THROUGH HOLE TYPE PIN.
2. W/O INNER KICK OUT SPRING
3. CAGE - STAINLESS STEEL
 SOLDER PIN - TIN DIPPING, DISCOLORATION
 AT TIN DIP INTERFACES PERMISSIBLE.
4. TAPE&REEL PACKAGE.



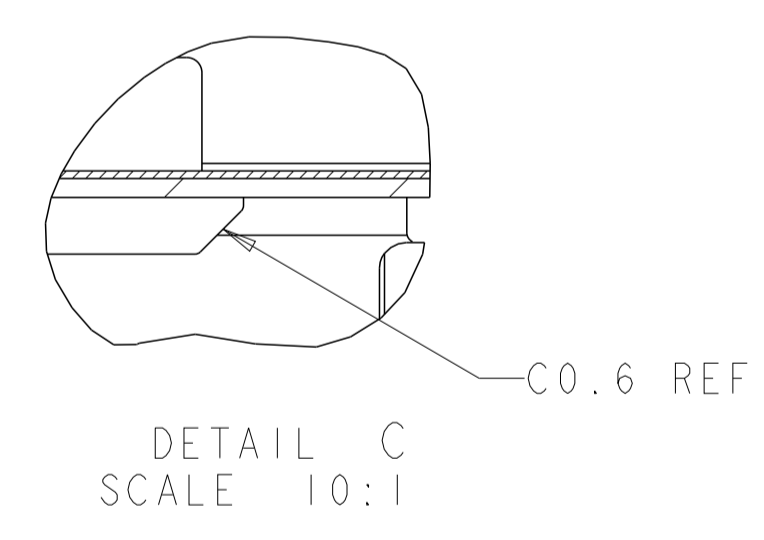
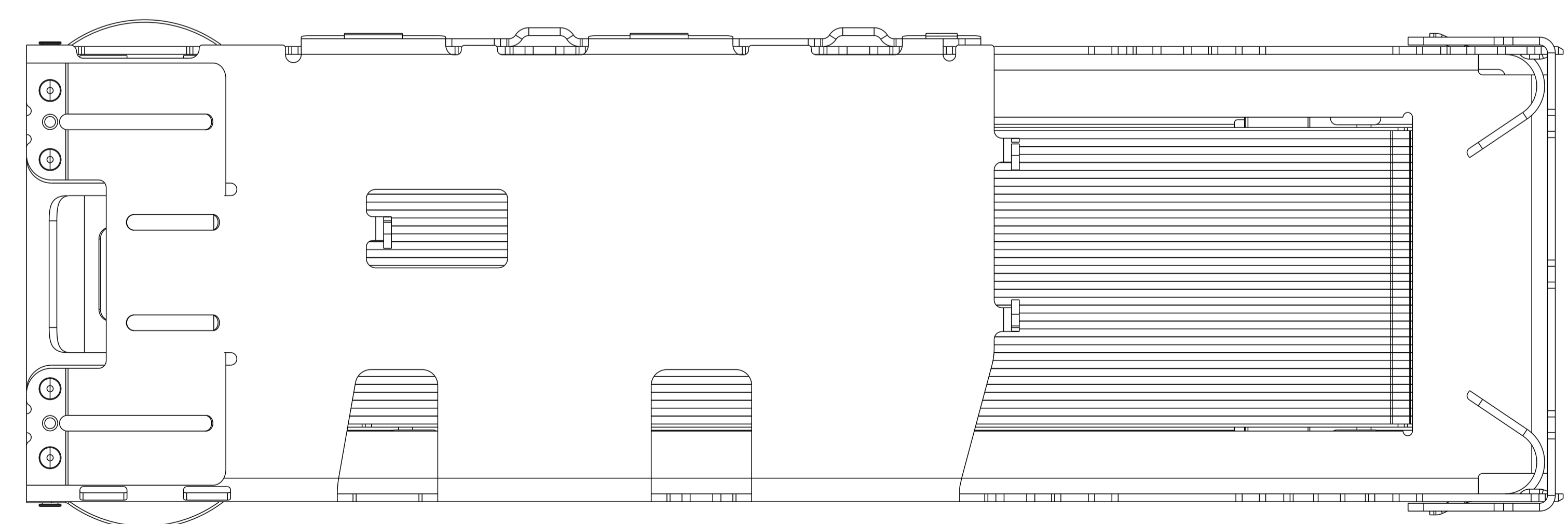
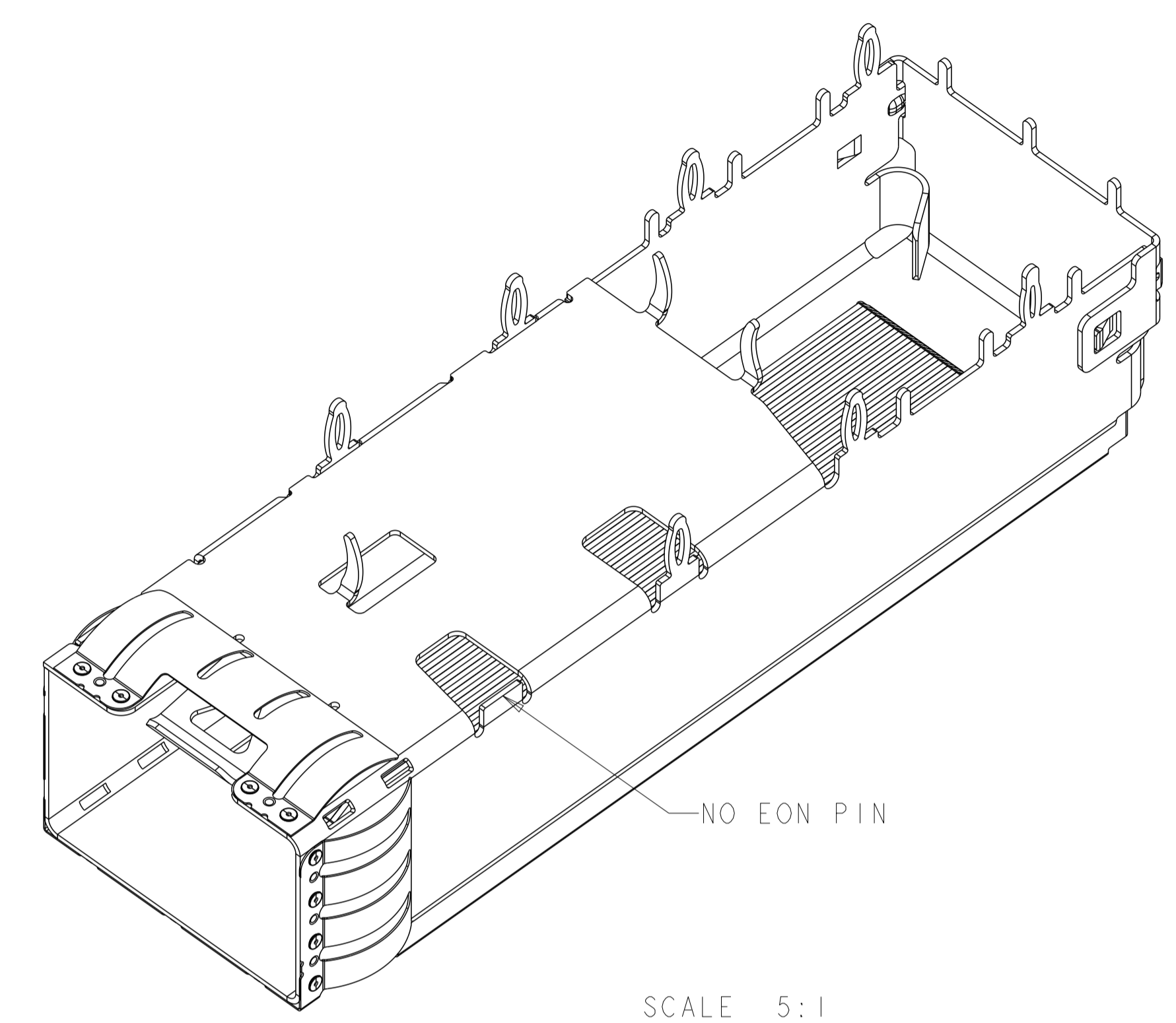
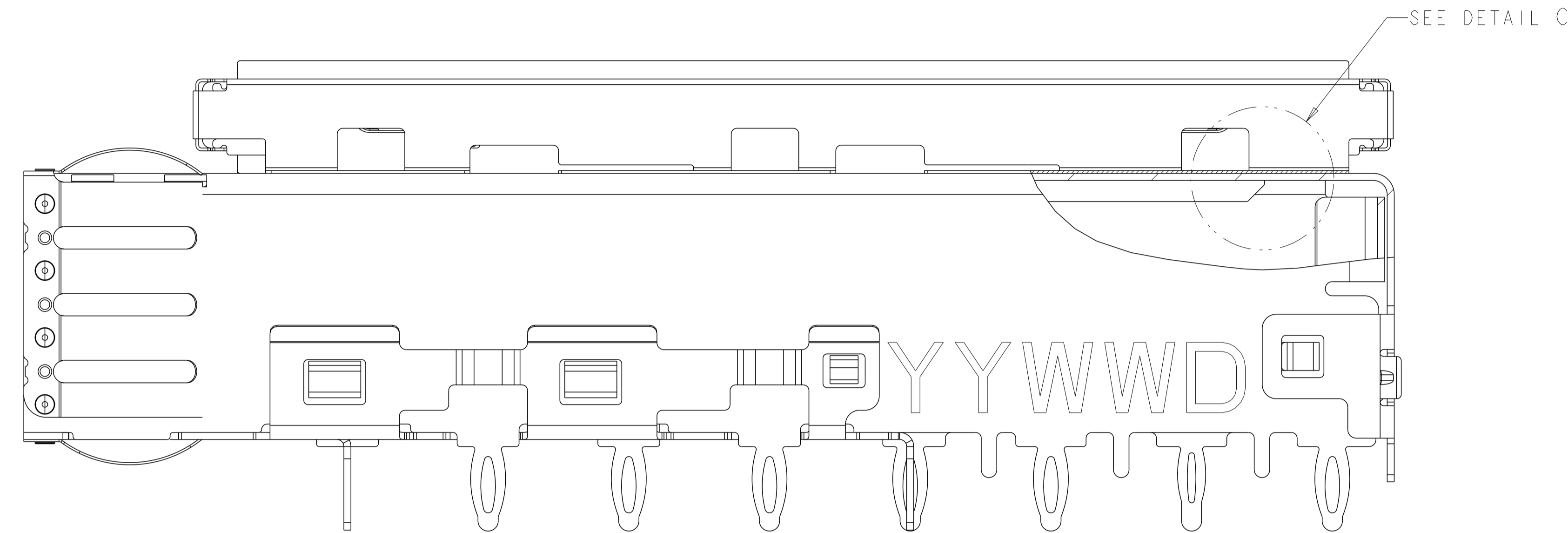
2358986-4 3D VIEW
 SCALE 4:1



| | | | | | |
|--|--|-----------------------------------|---|--------------------------------|---------------|
| THIS DRAWING IS A CONTROLLED DOCUMENT. | | OWN: VINDY LIU 13JUL2019 | TE Connectivity NAME: SFP+ IXI CAGE ASSEMBLY, PRESS-FIT EXTERNAL EMI SPRINGS, W/ TB | RESTRICTED TO | |
| DIMENSIONS: | | CHK: SEAN HAN 13JUL2019 | | SIZE: A1 | SCALE: 6:1 |
| TOLERANCES UNLESS OTHERWISE SPECIFIED: | | APVD: SEAN HAN 13JUL2019 | | CAGE CODE: 108-2364/108-130042 | SHEET: 3 OF 7 |
| MATERIAL: | | PRODUCT SPEC: 108-2364/108-130042 | | DRAWING NO: C=2358986_C | REV: A4 |
| FINISH: | | APPLICATION SPEC: 114-130017 | WEIGHT: - | CUSTOMER DRAWING | |

| LOC | DIST | REVISIONS | | | | | |
|-----|------|-----------|-----|-------------|------|-----|------|
| GP | 00 | P | LYR | DESCRIPTION | DATE | DMN | APVD |
| | | - | | SEE SHEET 1 | - | - | - |
| | | | | | | | |
| | | | | | | | |

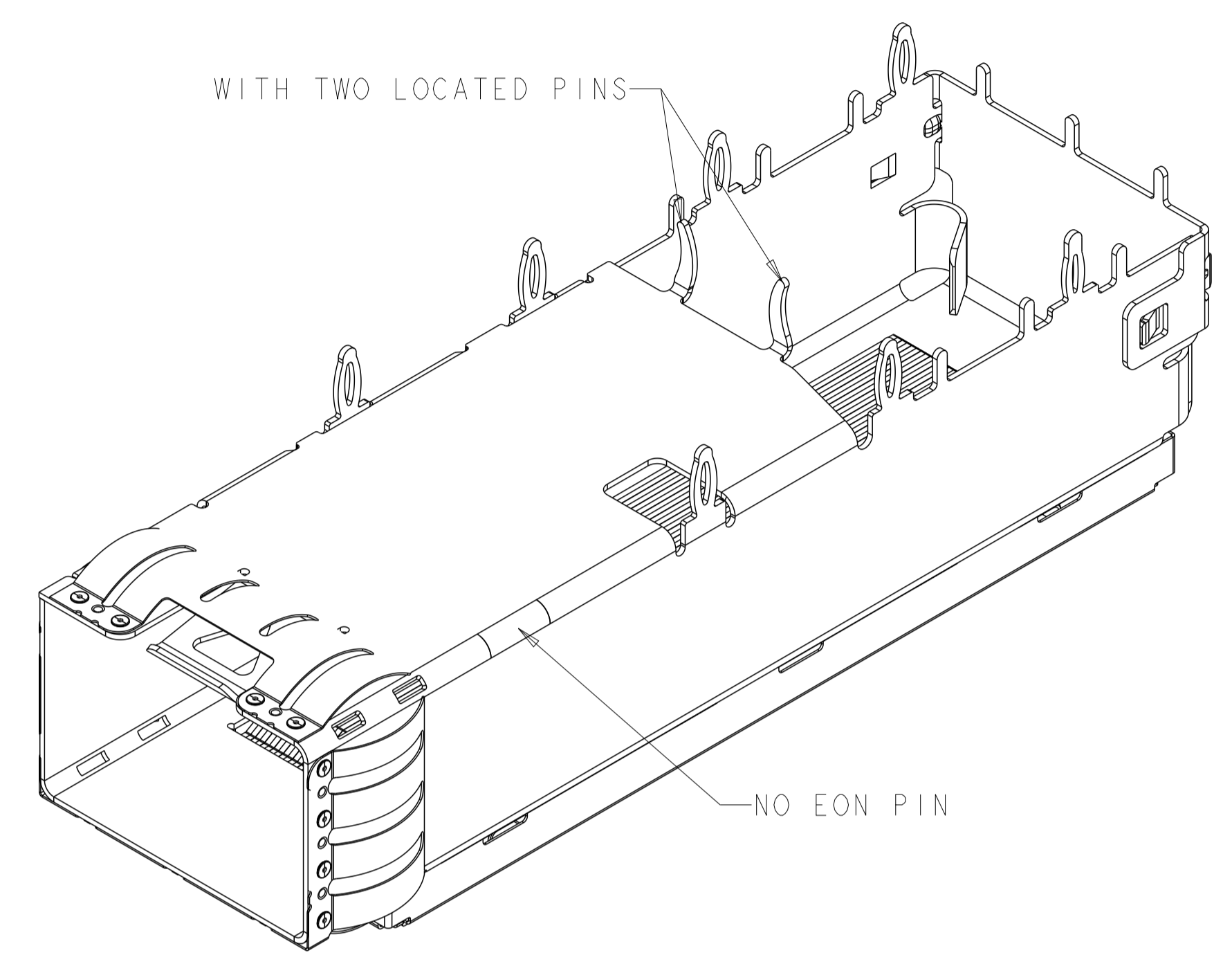
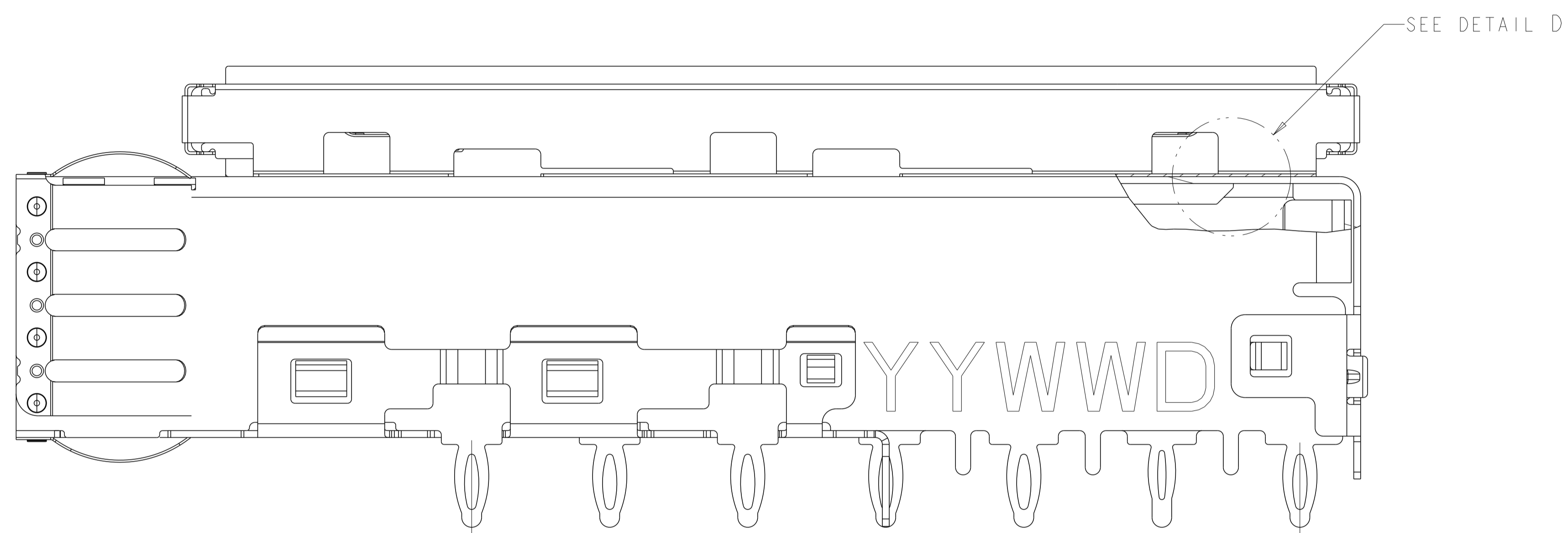
2358986-5 AS SHOWN:
 SAME AS -1 EXCEPT FOR CHAMFER ADDED ON THERMAL BRIDGE AND REMOVE ONE EON PIN



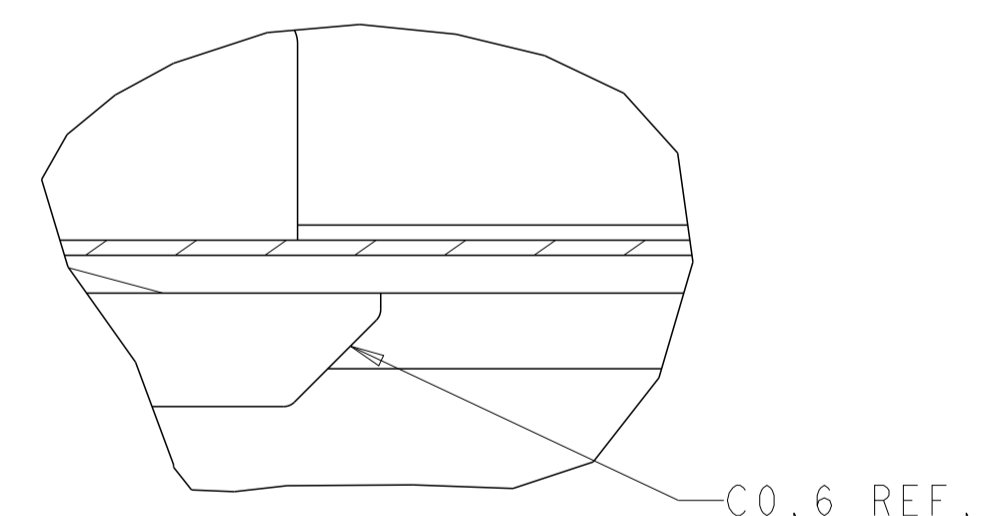
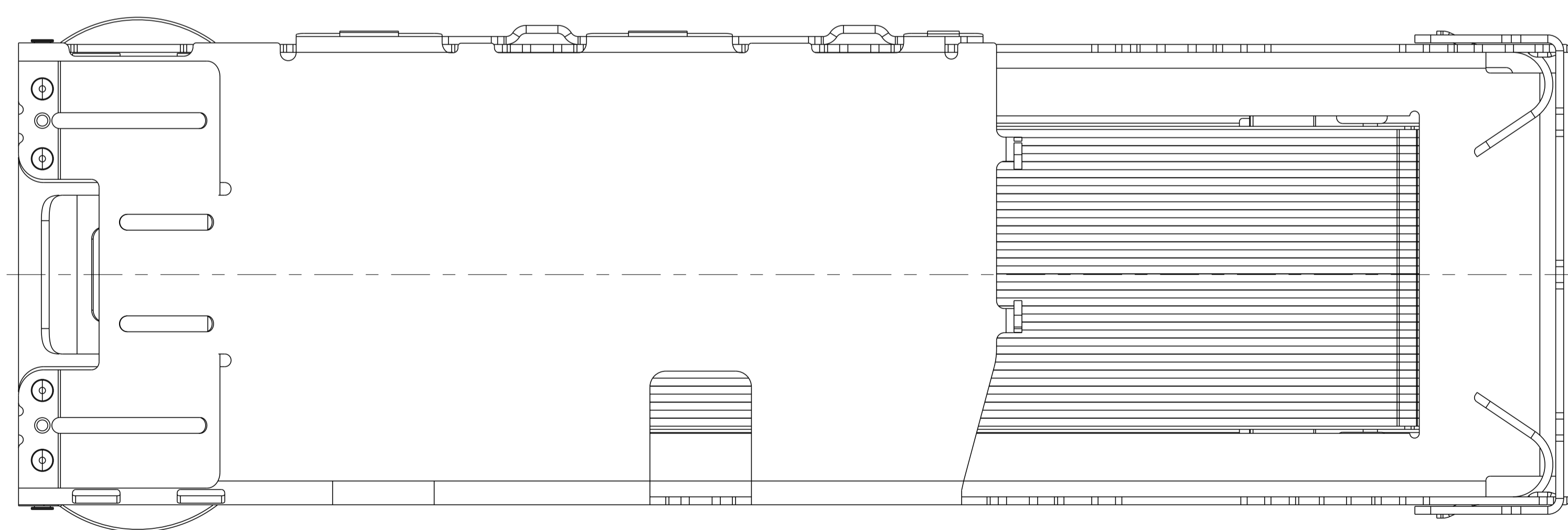
| | | | |
|--|--|----------------------------------|--|
| THIS DRAWING IS A CONTROLLED DOCUMENT. | | DMN VINDY LIU 13JUL2019 | |
| DIMENSIONS: mm | | CHK SEAN HAN 13JUL2019 | |
| TOLERANCES UNLESS OTHERWISE SPECIFIED: | | APVD SEAN HAN 13JUL2019 | NAME SFP+ 1X1 CAGE ASSEMBLY, PRESS-FIT EXTERNAL EMI SPRINGS, W/ TB |
| 0 PLC ± | | PRODUCT SPEC 108-2364/108-130042 | SIZE CAGE CODE DRAWING NO RESTRICTED TO |
| 1 PLC ±0.30 | | APPLICATION SPEC 114-130017 | A100779C=2358986_C |
| 2 PLC ±0.20 | | WEIGHT - | SCALE 6:1 SHEET 4 OF 7 REV A4 |
| 3 PLC ± | | MATERIAL FINISH | CUSTOMER DRAWING |
| 4 PLC ± | | | |
| ANGLES ± | | | |

| LOC | DIST | REVISIONS | | | | | |
|-----|------|-----------|-----|-------------|------|-----|------|
| GP | 00 | P | LYR | DESCRIPTION | DATE | OWN | APVD |
| | | - | | SEE SHEET 1 | - | - | - |
| | | | | | | | |
| | | | | | | | |

2358986-6 AS SHOWN:
 1. SAME AS -1 EXCEPT FOR CHAMFER ADDED ON THERMAL BRIDGE AND REMOVE ONE EON PIN
 2. REMOVE ONE EON PIN
 3. REMOVE ONE LOCATED PIN



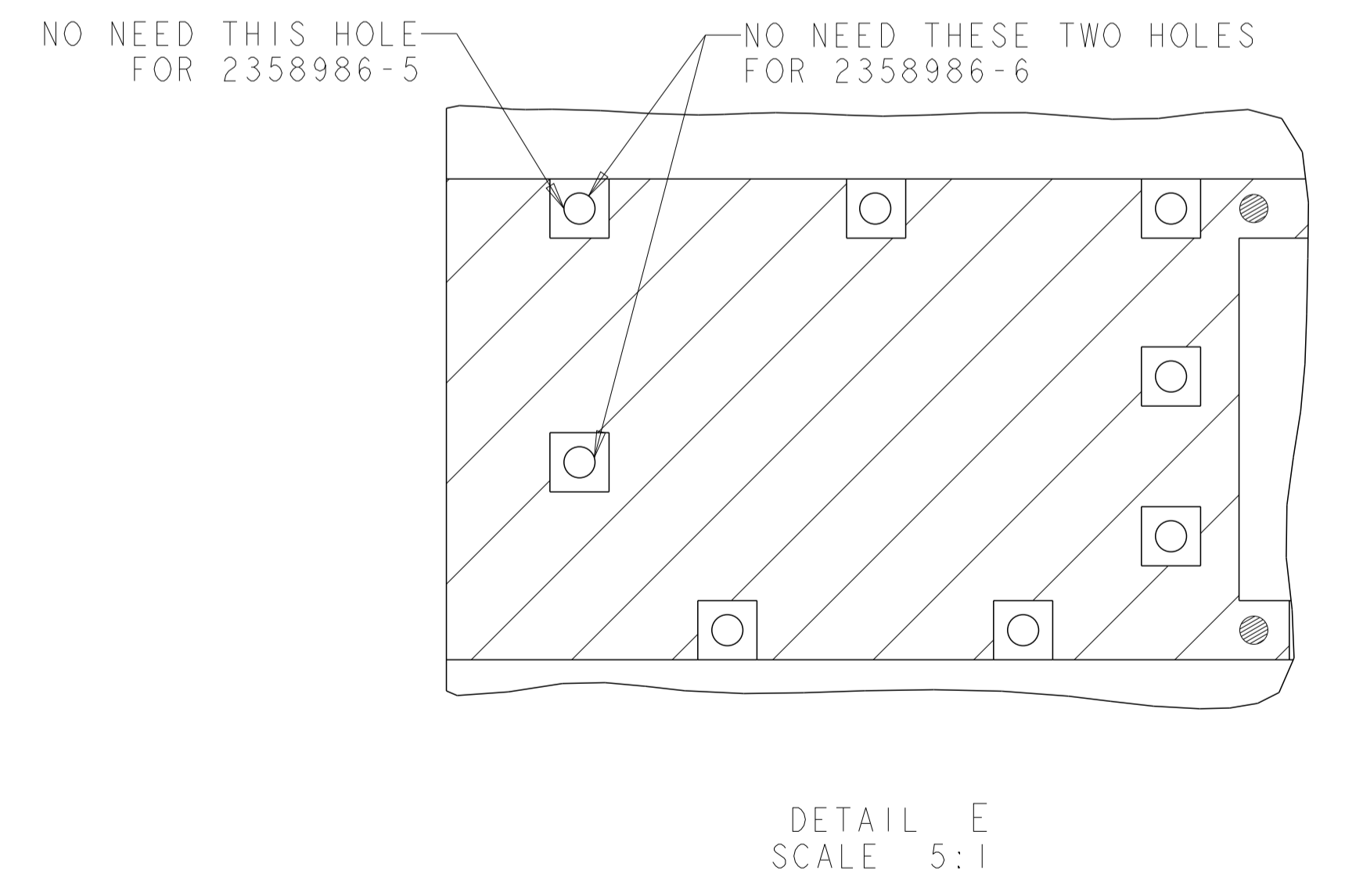
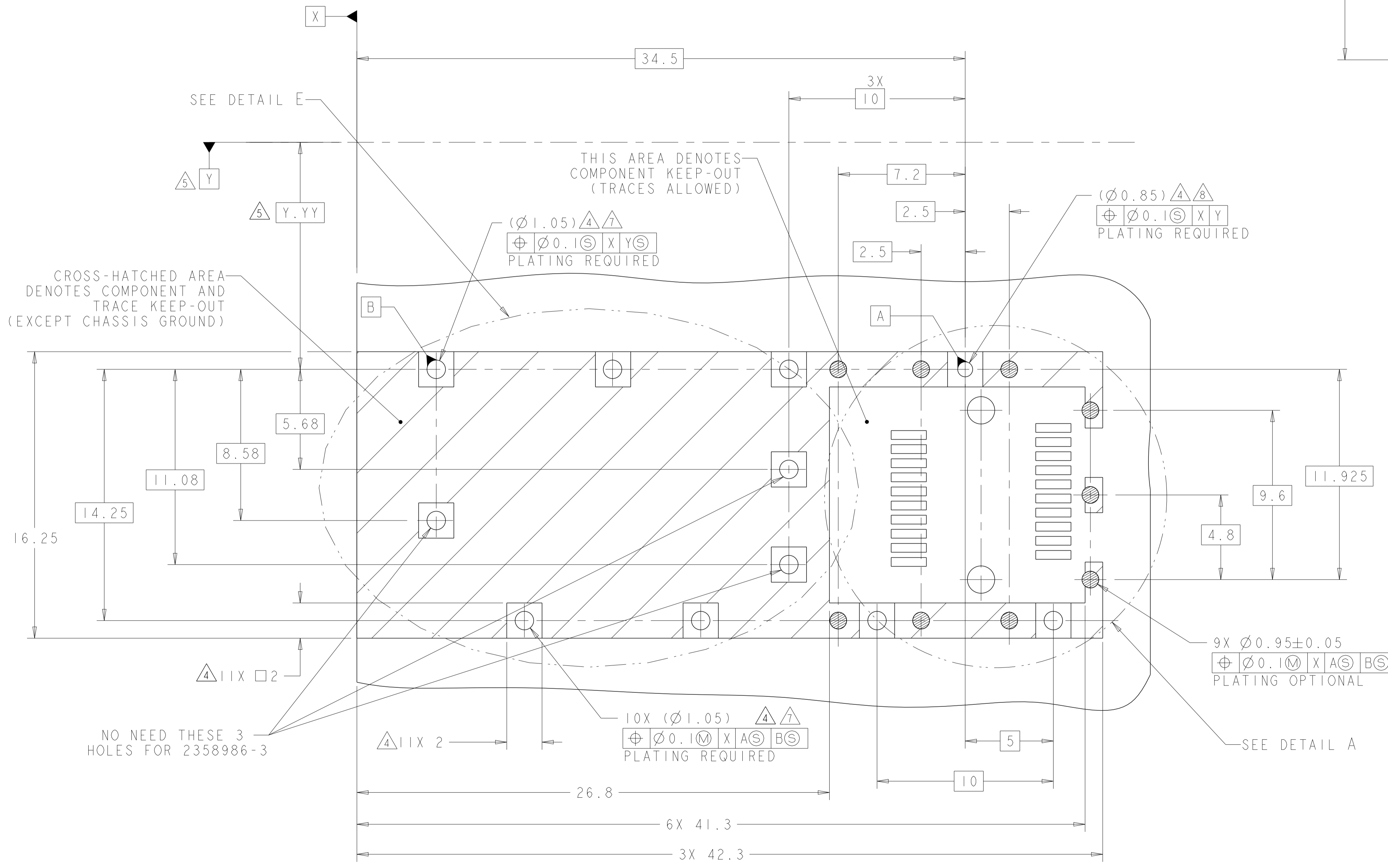
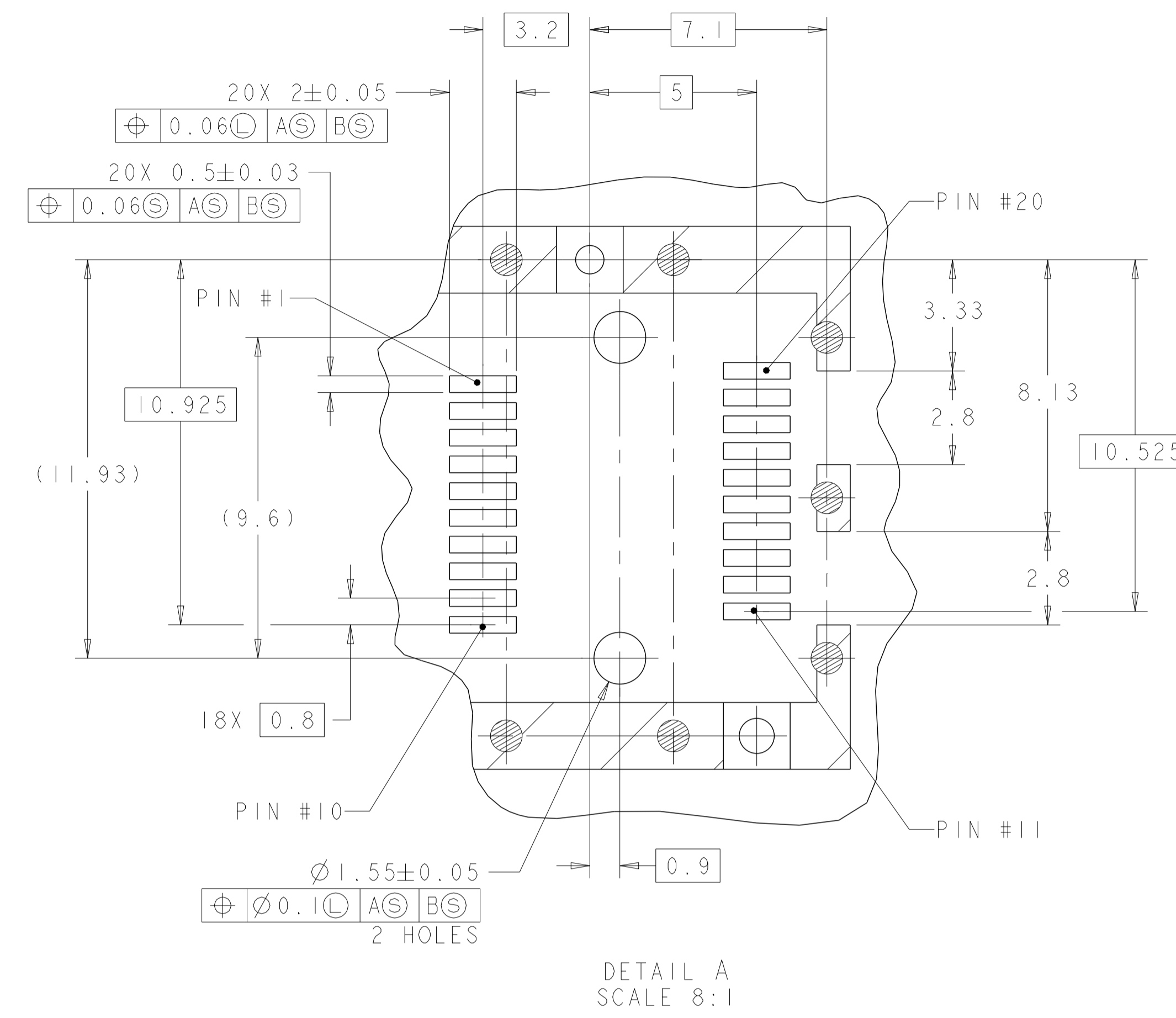
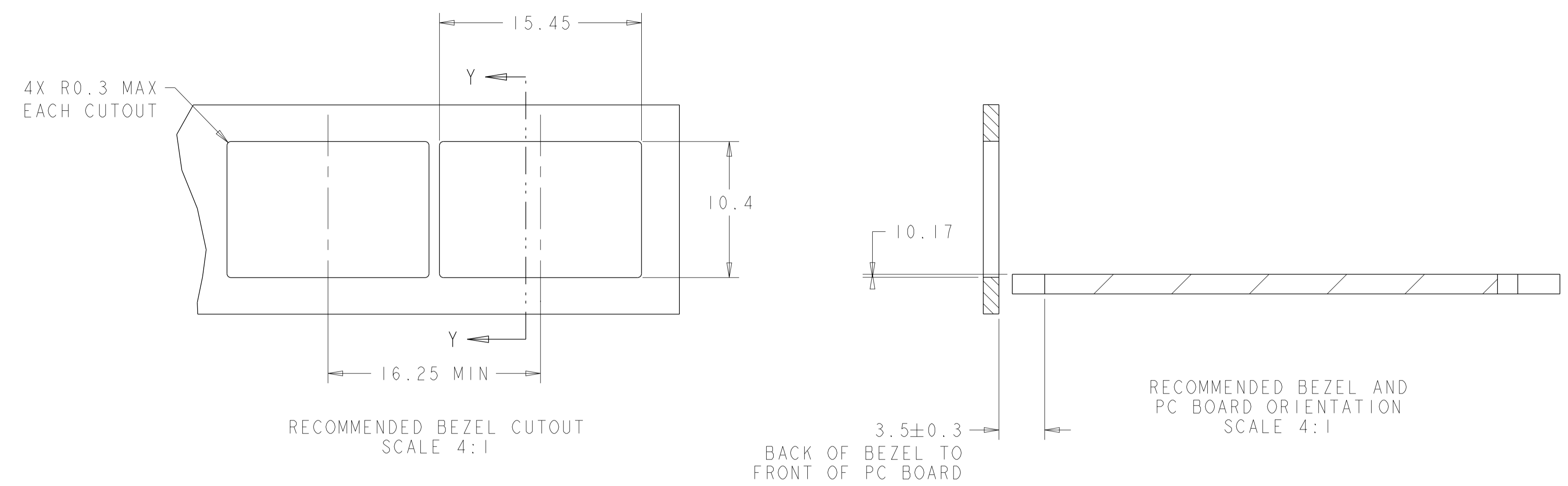
SCALE 5:1



SCALE 20:1

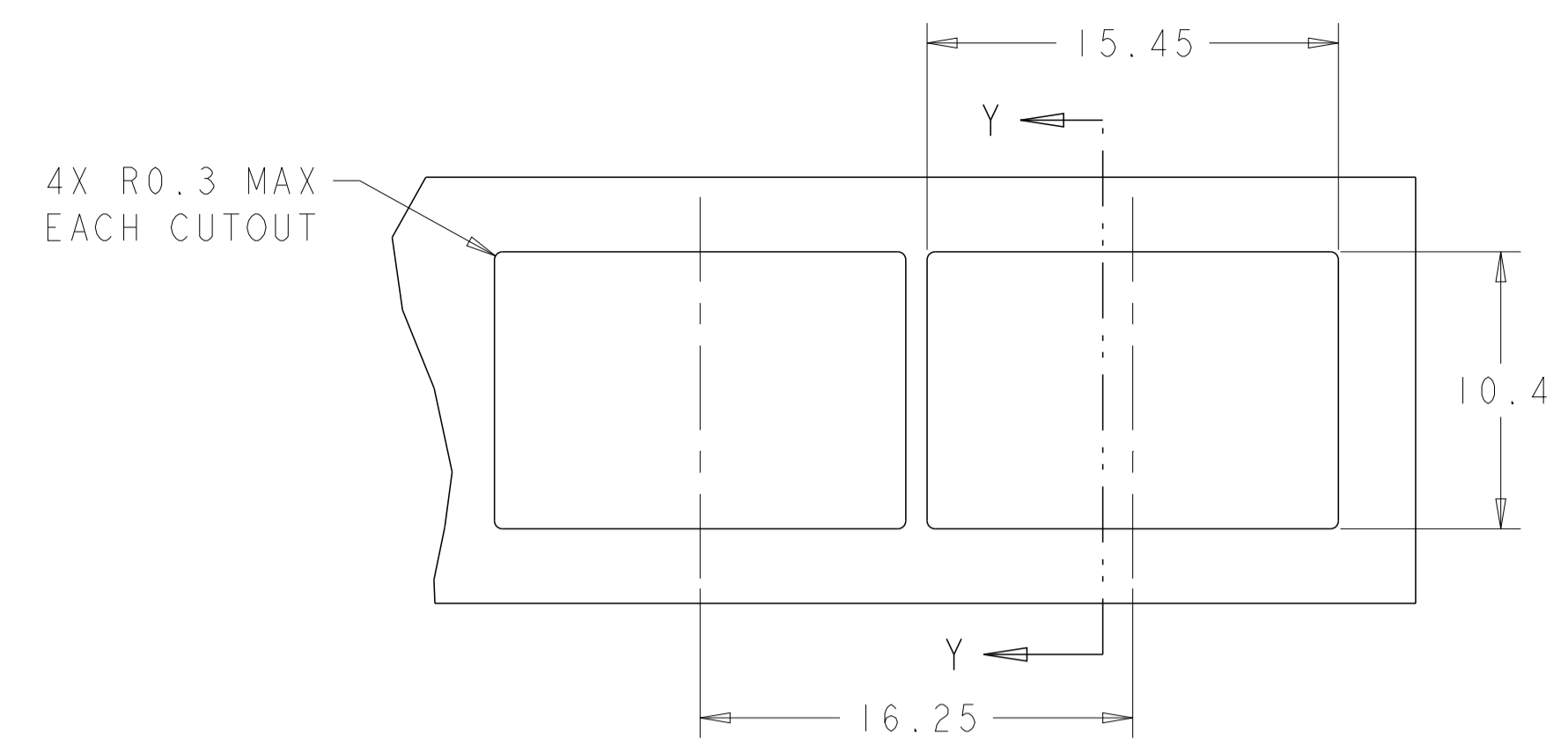
| | | | |
|--|-------------|-----------------------------------|---|
| THIS DRAWING IS A CONTROLLED DOCUMENT. | | OWN: VINDY LIU 13JUL2019 | TE Connectivity |
| DIMENSIONS: mm | | CHK: SEAN HAN 13JUL2019 | |
| TOLERANCES UNLESS OTHERWISE SPECIFIED: | | APVD: SEAN HAN 13JUL2019 | NAME: SFP+ 1X1 CAGE ASSEMBLY, PRESS-FIT EXTERNAL EMI SPRINGS, W/ TB |
| 0 PLC ± | 1 PLC ±0.30 | PRODUCT SPEC: 108-2364/108-130042 | SIZE: A1 |
| 2 PLC ±0.20 | 3 PLC ± | APPLICATION SPEC: 114-130017 | CAGE CODE: 00779 |
| 4 PLC ± | ANGLES ± | WEIGHT: - | DRAWING NO: C=2358986_C |
| FINISH | | CUSTOMER DRAWING | SCALE: 6:1 |
| | | | SHEET 5 OF 7 |
| | | | REV A4 |

| LOC | DIST | REV | DESCRIPTION | DATE | OWN | APVD |
|-----|------|-----|-------------|------|-----|------|
| GP | 00 | | SEE SHEET 1 | | | |

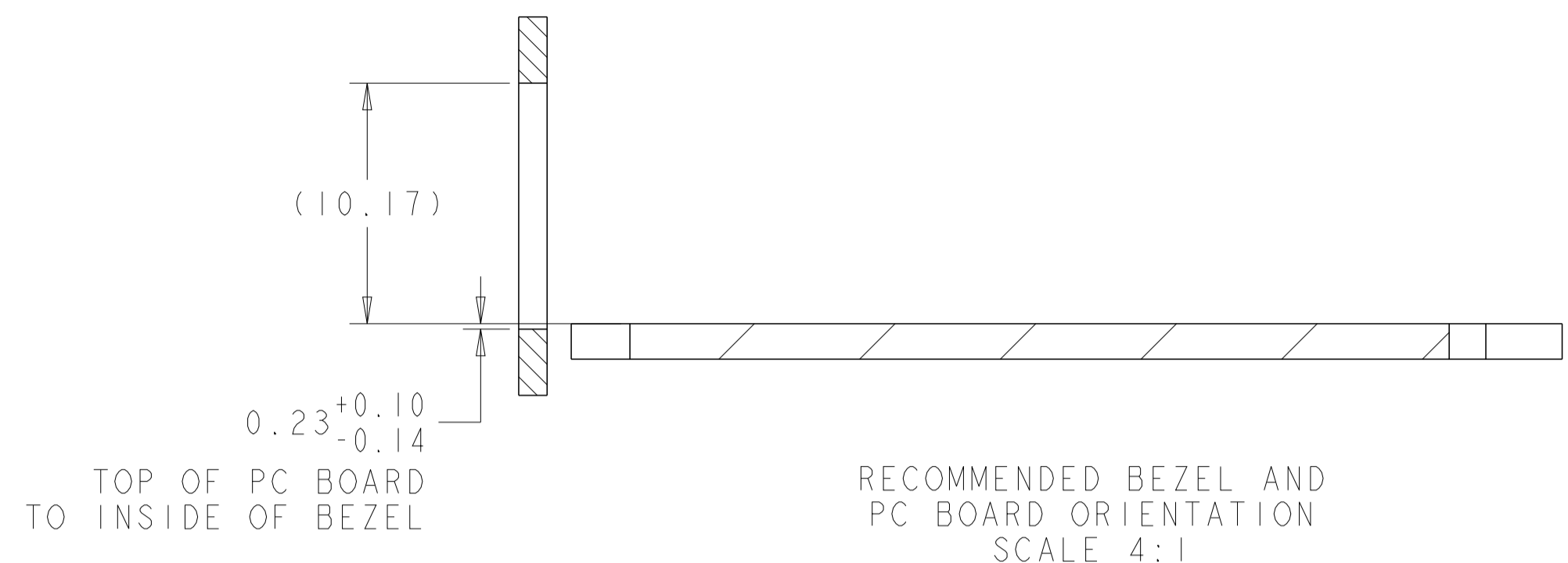


| | | | |
|---|--|--|---|
| THIS DRAWING IS A CONTROLLED DOCUMENT. | | OWN: VINDY LIU 13JUL2019 | TE Connectivity |
| DIMENSIONS: mm | | CHK: SEAN HAN 13JUL2019 | |
| TOLERANCES UNLESS OTHERWISE SPECIFIED: | | APVD: SEAN HAN 13JUL2019 | NAME: SFP+ IXXI CAGE ASSEMBLY, PRESS-FIT EXTERNAL EMI SPRINGS, W/ TB PRODUCT SPEC: 108-2364/108-130042 APPLICATION SPEC: 114-130017 |
| 0 PLC ± 1 PLC ±0.30 2 PLC ±0.20 3 PLC ± 4 PLC ± ANGLES ± | | SIZE: A1 CAGE CODE: 00779 DRAWING NO: C=2358986_C WEIGHT: - CUSTOMER DRAWING | |
| MATERIAL: FINISH: | | RESTRICTED TO: - | SCALE: 6:1 SHEET: 6 OF 7 REV: A4 |

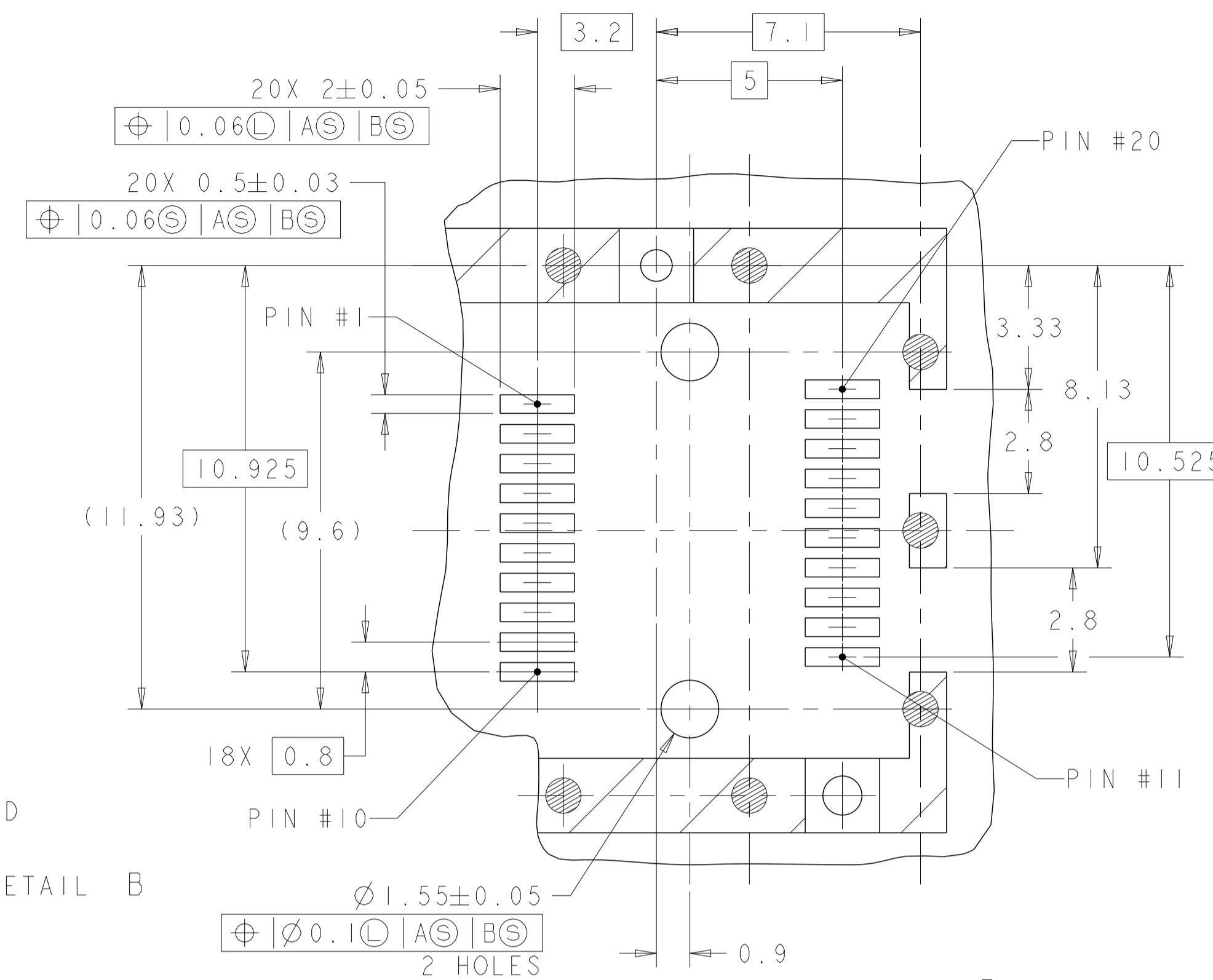
| LOC | DIST | REV | DATE | BY | APPD |
|-------|------|-------------|------|------|------|
| GP | 00 | | | | |
| P LTR | | DESCRIPTION | | DATE | OWN |
| | | SEE SHEET 1 | | | |



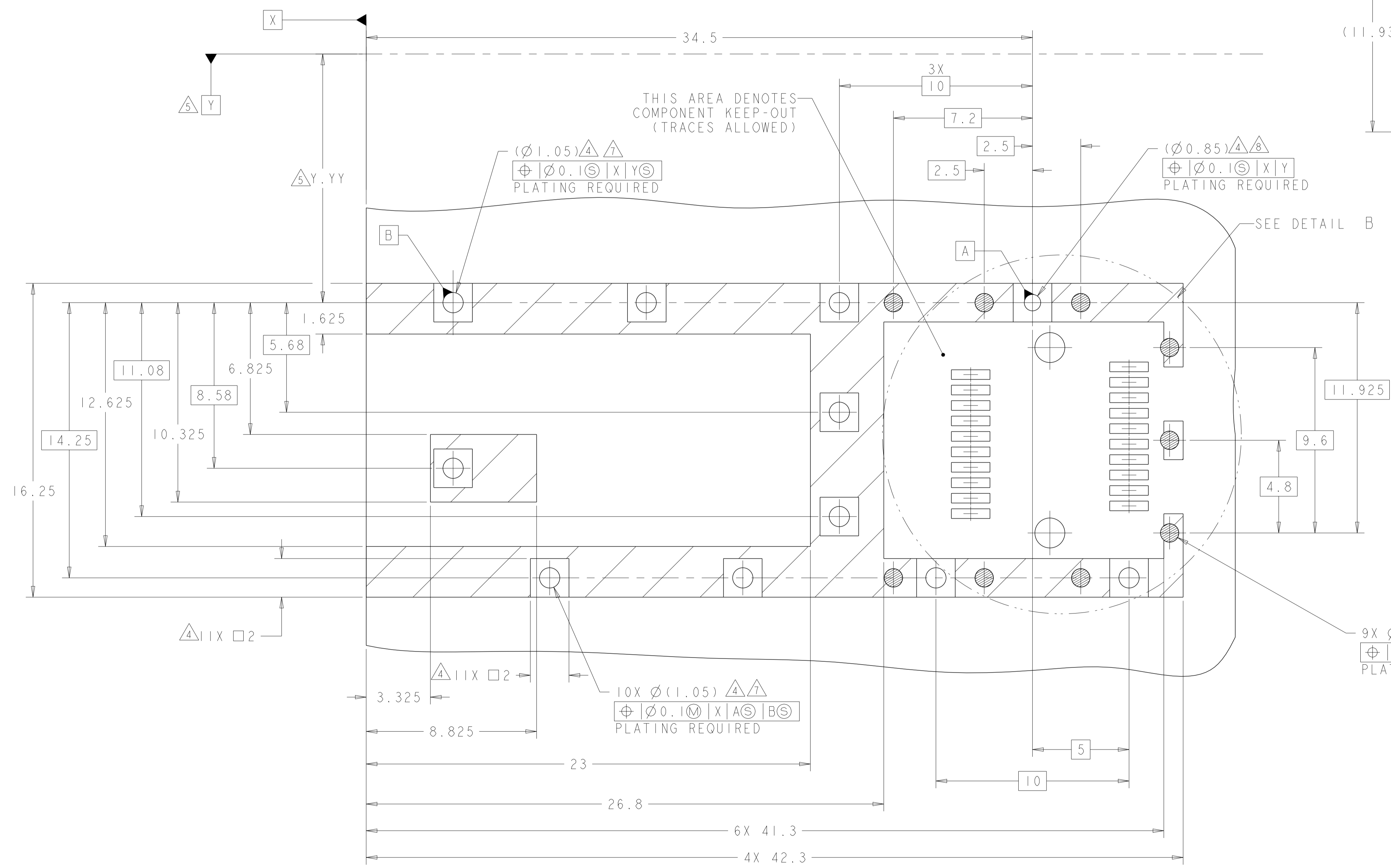
RECOMMENDED BEZEL CUTOUT
SCALE 4:1



RECOMMENDED BEZEL AND
PC BOARD ORIENTATION
SCALE 4:1



DETAIL B
SCALE 8:1



RECOMMENDED PCB LAYOUT FOR WITH
INSULATING TAPE PART
SCALE 8:1

| | | | |
|--|--------------|-----------------------------------|---|
| THIS DRAWING IS A CONTROLLED DOCUMENT. | | OWN: VINDY LIU 13JUL2019 | TE Connectivity |
| DIMENSIONS: mm | | CHK: SEAN HAN 13JUL2019 | |
| TOLERANCES UNLESS OTHERWISE SPECIFIED: | | APVD: SEAN HAN 13JUL2019 | NAME: SFP+ 1X1 CAGE ASSEMBLY, PRESS-FIT EXTERNAL EMI SPRINGS, W/ TB |
| 0 PLC ±0.30 | 1 PLC ±0.20 | PRODUCT SPEC: 108-2364/108-130042 | SIZE: 114-130017 |
| 2 PLC ±0.20 | 3 PLC ±0.20 | APPLICATION SPEC: 114-130017 | WEIGHT: - |
| 4 PLC ±0.20 | ANGLES ±0.20 | FINISH: - | CUSTOMER DRAWING |
| MATERIAL: - | | SCALE: 6:1 | SHEET 7 OF 7 |
| REV: A4 | | REV: A4 | |