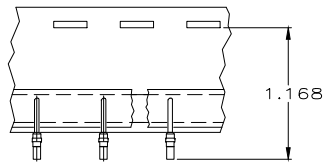
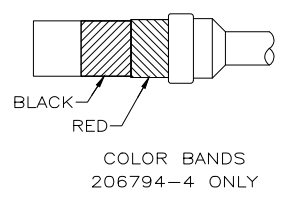
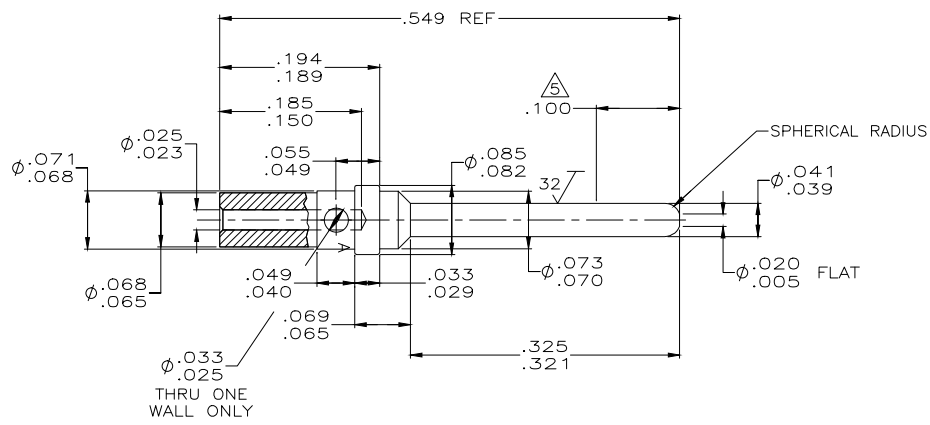


THIS DRAWING IS UNPUBLISHED. RELEASED FOR PUBLICATION
 © COPYRIGHT - By - ALL RIGHTS RESERVED.

REVISIONS				
P	LTR	DESCRIPTION	DATE	DWN APVD
H		REV PER ECO 17-002439	11MAR11	CT RL

1. ALL DIMENSIONS APPLY AFTER PLATING.
2. THIS PART COMPLIES WITH SPEC. MIL-C-24308/11, EXCEPT WIRE BARREL.
3. ALL DIAMETERS CONCENTRIC WITH EACH OTHER WITHIN .004 T.I.R.
4. ALL SURFACES HAVE A 63 SURFACE FINISH OR BETTER UNLESS OTHERWISE NOTED.
5. POINT OF PLATING MEASUREMENT.
6. FINISH: PLATED GOLD PER ASTM-B-488 OVER COPPER PER AMS-2418.
7. RESTRICTED TO SPACE SYSTEMS LORAL.
8. FINISH: PLATED GOLD PER ASTM-B-488 OVER NICKEL PER AMS-QQ-N-290.



TAPE MOUNTED
 206794-3 ONLY
 SCALE: NTS

7	NO COLOR CODE	8	COPPER ALLOY	206794-7
7	NO COLOR CODE	6	COPPER ALLOY	206794-6
SUPERSEDED BY 206794-3				
	TAPE MOUNTED	-	206794-4	206794-5
	COLOR CODED	-	206794-2	206794-4
	TAPE MOUNTED	-	206794-2	206794-3
	AS SHOWN	6	COPPER ALLOY #187	206794-2
	REMARKS	FINISH	MATERIAL	PART NUMBER

DIMENSIONS:		TOLERANCES UNLESS OTHERWISE SPECIFIED:		DWN C.C. THOMAS 7/24/00		TE Connectivity	
INCHES		0 PLC ± -		CHK R.GROSS 9-5-00		NAME	
		1 PLC ± -		APVD R.GROSS 9-5-00		PIN CONTACT, SIZE 20 (FOR #26 & #28 AWG WIRE)	
		2 PLC ± -		PRODUCT SPEC		-	
		3 PLC ± .025		APPLICATION SPEC		-	
		4 PLC ± ± 2°		SIZE		CAGE CODE DRAWING NO RESTRICTED TO	
MATERIAL COPPER ALLOY		FINISH SEE TABLE		WEIGHT 0.000000		A2 00779 C=206794	
CUSTOMER DRAWING				SCALE 10:1		SHEET 1 of 1 REV H	