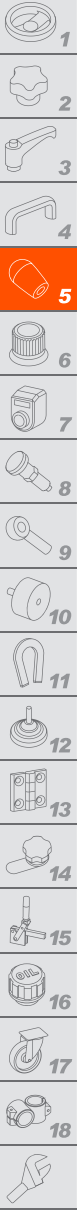


# IR.620 | Fold-away handles

Technopolymer



## MATERIAL

Polyamide based (PA) technopolymer handle, black colour, matte finish.

## STANDARD EXECUTIONS

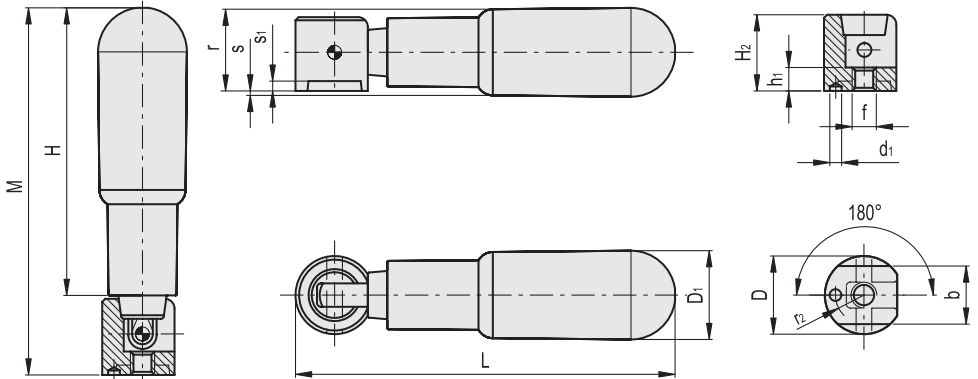
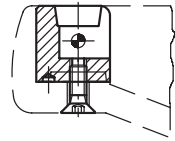
- **IR.620:** black-oxide steel pin, sintered and oxidised steel flat base for embedded mounting, black-oxide steel screw.
- **IR.620-SST:** AISI 303 stainless steel pin, sintered AISI 303 stainless steel flat base for embedded mounting, AISI 303 stainless steel screw.

## FEATURES AND APPLICATIONS

Handle pivots freely during operation: a system of coaxial bushings compensates return spring load.

This series of fold-away handles has been designed for all those applications for which, owing to lack of space or for safety reasons, the handle must be folded-away once the operation has been completed.

Normal assembly example with embedded base



| Conversion Table  |      |
|-------------------|------|
| 1 mm = 0,039 inch |      |
| H                 |      |
| mm                | inch |
| 45                | 1.77 |
| 60                | 2.36 |
| 65                | 2.56 |
| 73                | 2.87 |
| 80                | 3.15 |
| 90                | 3.54 |



ELESA Original design

## IR.620

METRIC

| Code   | Description      | H  | D  | L     | M    | D1   | H2   | r    | s   | s1  | b  | f  | h1 | d1 | r2  | △   |
|--------|------------------|----|----|-------|------|------|------|------|-----|-----|----|----|----|----|-----|-----|
| 128442 | IR.620/45 S.D.16 | 45 | 16 | 63    | 60   | 15.5 | 14   | 15   | 0.5 | 1.7 | 10 | M4 | 4  | 3  | 5.5 | 36  |
| 128444 | IR.620/60 S.D.16 | 60 | 16 | 78    | 74   | 18   | 14   | 16.5 | 1.5 | 1.7 | 10 | M4 | 4  | 3  | 5.5 | 38  |
| 128445 | IR.620/65 S.D.16 | 65 | 16 | 89.5  | 80.5 | 22   | 14   | 20.5 | 1.5 | 1.7 | 10 | M4 | 4  | 3  | 5.5 | 74  |
| 128446 | IR.620/65 S.D.20 | 65 | 20 | 91.5  | 85   | 22   | 18.5 | 20.5 | 1.5 | 2.3 | 14 | M6 | 5  | 3  | 7   | 78  |
| 128447 | IR.620/73 S.D.20 | 73 | 20 | 99    | 93   | 23   | 18.5 | 21   | 2   | 2.3 | 14 | M6 | 5  | 3  | 7   | 86  |
| 128448 | IR.620/80 S.D.20 | 80 | 20 | 106   | 100  | 24   | 18.5 | 21.5 | 2.5 | 2.3 | 14 | M6 | 5  | 3  | 7   | 90  |
| 128449 | IR.620/90 S.D.20 | 90 | 20 | 115.5 | 110  | 25   | 18.5 | 24.5 | 0.5 | 2.3 | 14 | M6 | 5  | 3  | 7   | 118 |
| 128450 | IR.620/90 S.D.26 | 90 | 26 | 119   | 114  | 25   | 23   | 24.5 | 0.5 | 2.3 | 18 | M6 | 7  | 3  | 9   | 145 |

## IR.620-SST

INOX STAINLESS STEEL METRIC

| Code   | Description          | H  | D  | L     | M    | D1   | H2   | r    | s   | s1  | b  | f  | h1 | d1 | r2  | △   |
|--------|----------------------|----|----|-------|------|------|------|------|-----|-----|----|----|----|----|-----|-----|
| 128462 | IR.620/45-SST-S.D.16 | 45 | 16 | 63    | 60   | 15.5 | 14   | 15   | 0.5 | 1.7 | 10 | M5 | 4  | 3  | 5.5 | 36  |
| 128464 | IR.620/60-SST-S.D.16 | 60 | 16 | 78    | 74   | 18   | 14   | 16.5 | 1.5 | 1.7 | 10 | M4 | 4  | 3  | 5.5 | 38  |
| 128465 | IR.620/65-SST-S.D.16 | 65 | 16 | 89.5  | 80.5 | 22   | 14   | 20.5 | 1.5 | 1.7 | 10 | M4 | 4  | 3  | 5.5 | 74  |
| 128466 | IR.620/65-SST-S.D.20 | 65 | 20 | 91.5  | 85   | 22   | 18.5 | 20.5 | 1.5 | 2.3 | 14 | M6 | 5  | 3  | 7   | 78  |
| 128467 | IR.620/73-SST-S.D.20 | 73 | 20 | 99    | 93   | 23   | 18.5 | 21   | 2   | 2.3 | 14 | M6 | 5  | 3  | 7   | 86  |
| 128468 | IR.620/80-SST-S.D.20 | 80 | 20 | 106   | 100  | 24   | 18.5 | 21.5 | 2.5 | 2.3 | 14 | M6 | 5  | 3  | 7   | 90  |
| 128469 | IR.620/90-SST-S.D.20 | 90 | 20 | 115.5 | 110  | 25   | 18.5 | 24.5 | 0.5 | 2.3 | 14 | M6 | 5  | 3  | 7   | 118 |
| 128470 | IR.620/90-SST-S.D.26 | 90 | 26 | 119   | 114  | 25   | 23   | 24.5 | 0.5 | 2.3 | 18 | M6 | 7  | 3  | 9   | 145 |

Fixed & Revolving handles