

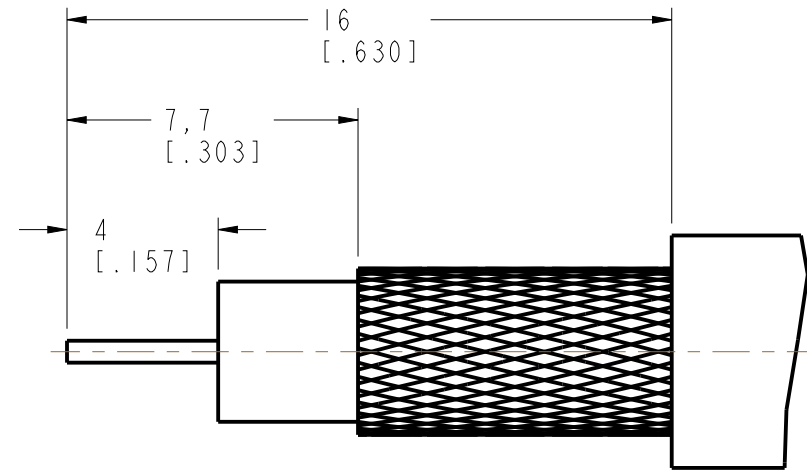
NOTES:

1. MATERIALS AND FINISHES:
 BODY - BRASS, NICKEL PLATING
 CONTACT PIN - BRASS, GOLD PLATING
 INSULATOR - DELRIN, NATURAL
2. ELECTRICAL:
 A. IMPEDANCE: 75 OHM
 B. FREQUENCY RANGE: 0-2 GHZ
 C. DIELECTRIC WITHSTANDING VOLTAGE: 1500 VRMS, MIN.
3. MECHANICAL:
 A. DURABILITY: 500 CYCLES MIN.
 B. TEMPERATURE RANGE: -40°C TO +85°C
4. CRIMPED FERRULE
 HEX CRIMP SIZE .255"
5. CRIMPED CONTACT PIN
 SQ. CRIMP SIZE .068"

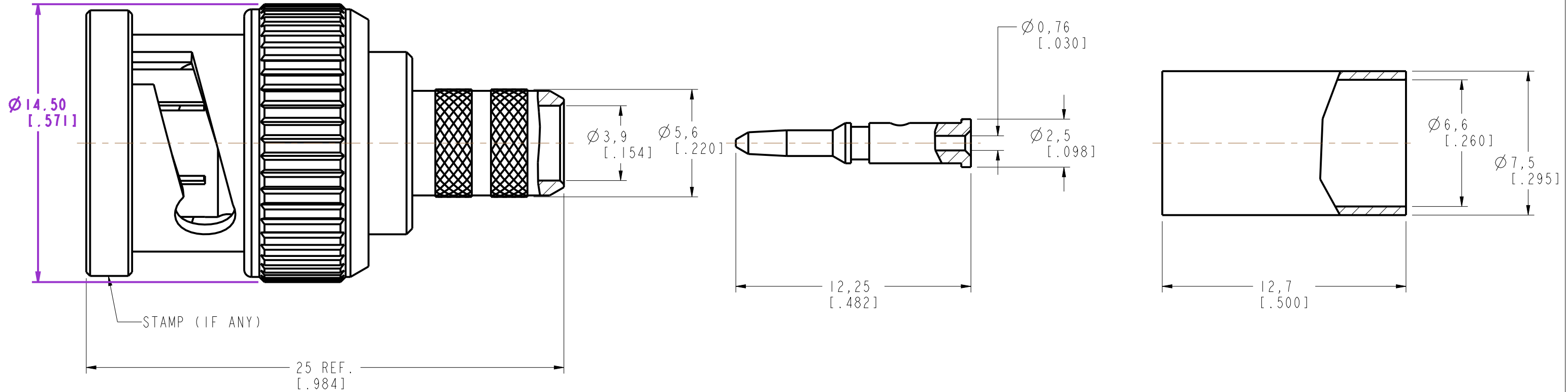
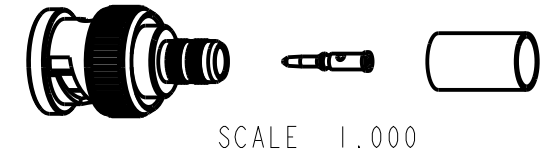
THIRD ANGLE PROJ.

REVISIONS

REV	DESCRIPTION	DATE	ECO	APPR
A	UPDATE DRAWING FORMAT	01-Jul-03	----	TONY
B	THE MATERIAL OF SHELL WAS CHANGED	03-Dec-09	2006	MZ
C	SYNCH THE DRAWING WITH CONNEX	08-Apr-14	2733	SH



RECOMMENDED
CABLE STRIPPING DIM'S



CUSTOMER OUTLINE DRAWING

ALL OTHER SHEETS ARE FOR INTERNAL USE ONLY

UNLESS OTHERWISE SPECIFIED, DIMENSIONS ARE IN METRIC AND TOLERANCES ARE:
 <0.5mm ±0.05mm 0.5 - 6mm ±0.1mm 6 - 30mm ±0.2mm 30 - 120mm ±0.3mm ANGLES ±1°

NOTICE - These drawings, specifications, or other data (1) are, and remain the property of Amphenol corp. (2) must be returned upon request; and (3) are confidential and not to be disclosed to any person other than those to whom they are given by Amphenol Corp. the furnishing of these drawings, specifications, or other data by Amphenol Corp., or to any other person to anyone for any purpose is not to be regarded by implication or otherwise in any manner licensing, granting rights to permitting such holder or any other person to manufacture, use or sell any product, process or design, patented or otherwise, that may in any way be related to or disclosed by said drawings, specifications, or other data.

MATERIAL	DRAWN M. ZHANG	DATE 09-Apr-14	TITLE BNC CRIMP PLUG (FOR RG-59/U CABLE -75 OHM)	Amphenol Connex	
REFERENCE AND CONFIGURATION LEVEL: In Work	ENGINEER TONY	DATE 16-Jul-03			
FINISH	APPROVED S. HSIEH	DATE 09-Apr-14	SCALE: 5.0:1.0	SHEET 3 OF 3	DRAWING NO.
	CAD FILE		DWG SIZE B	REV C	ITEM NO.
					PART NO. 112123