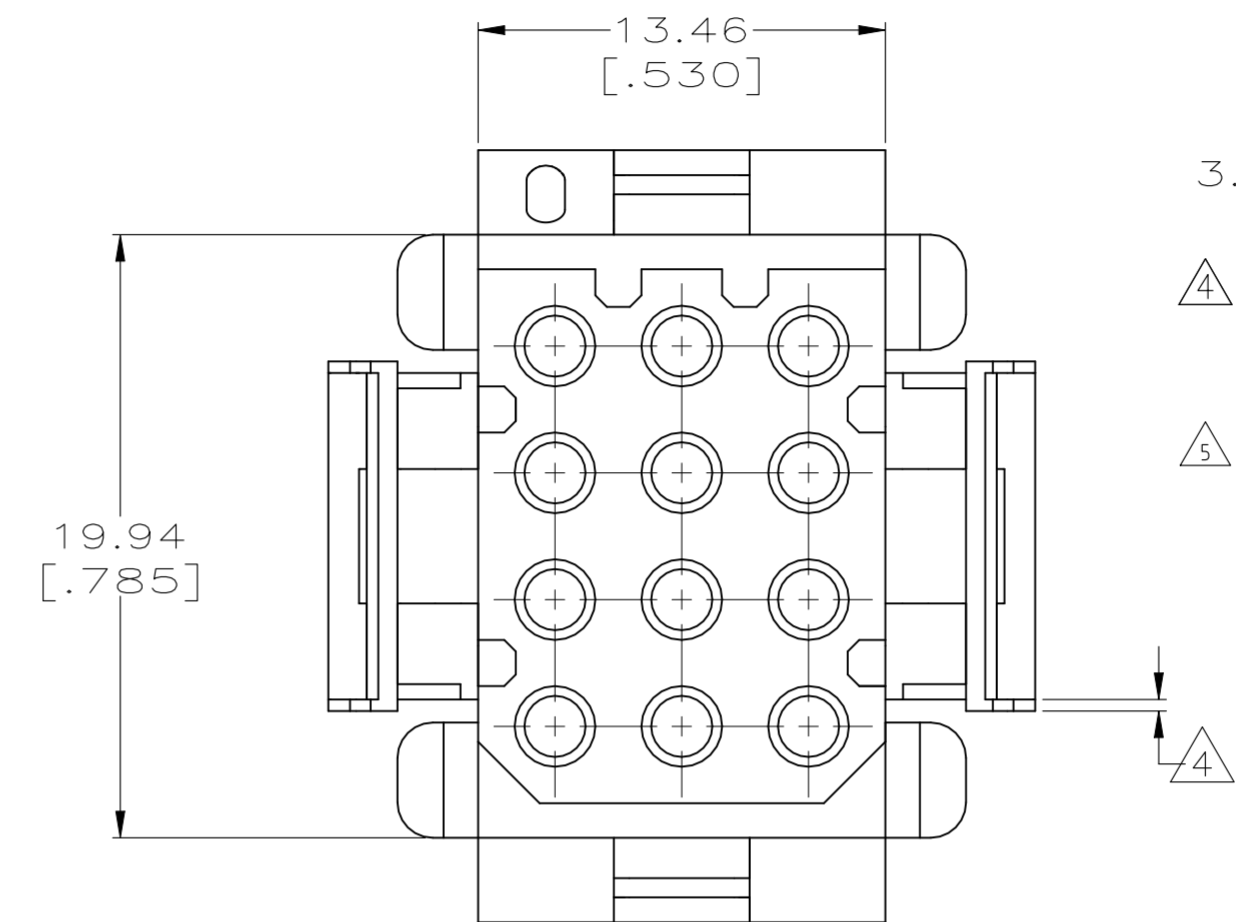
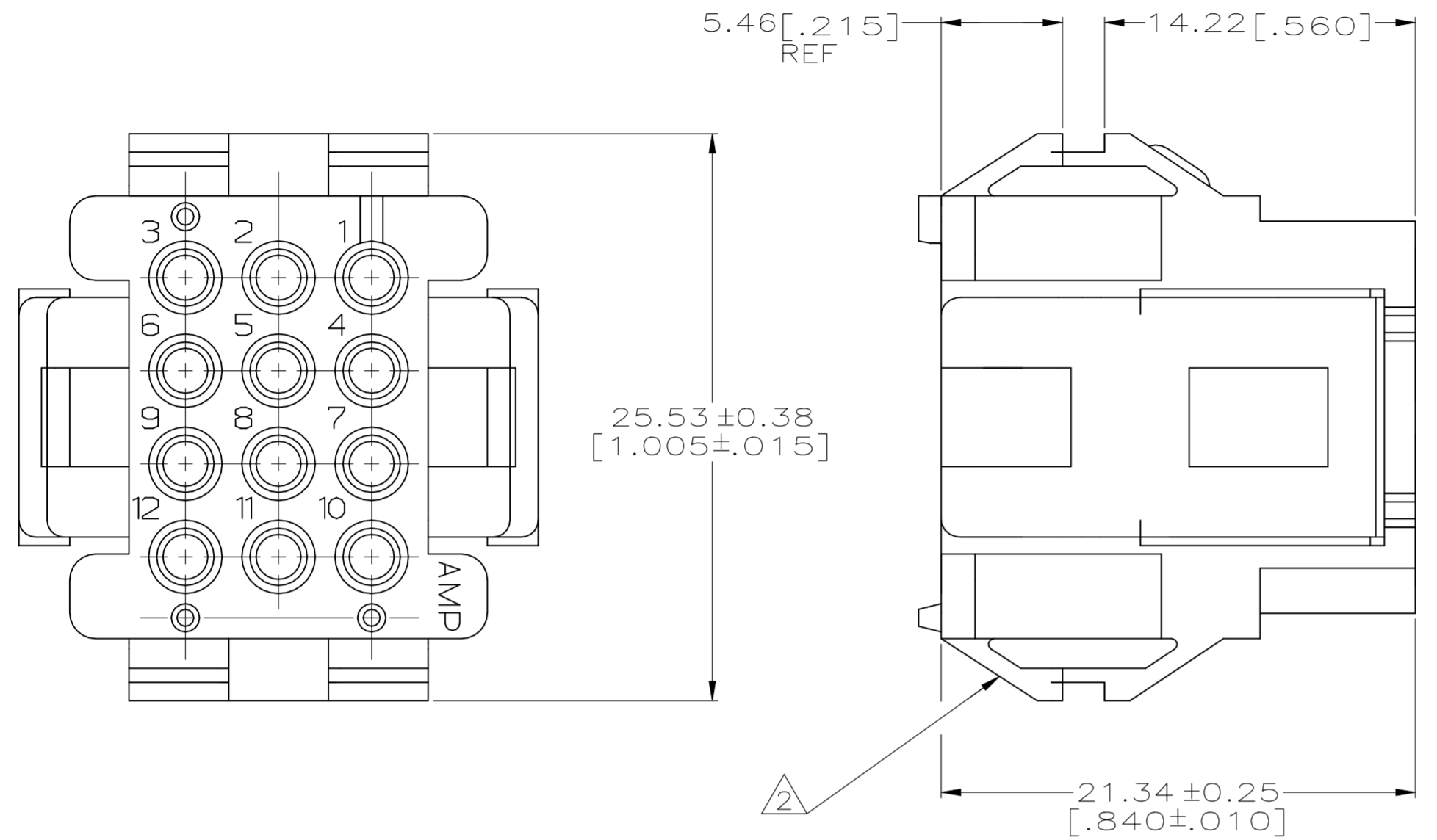
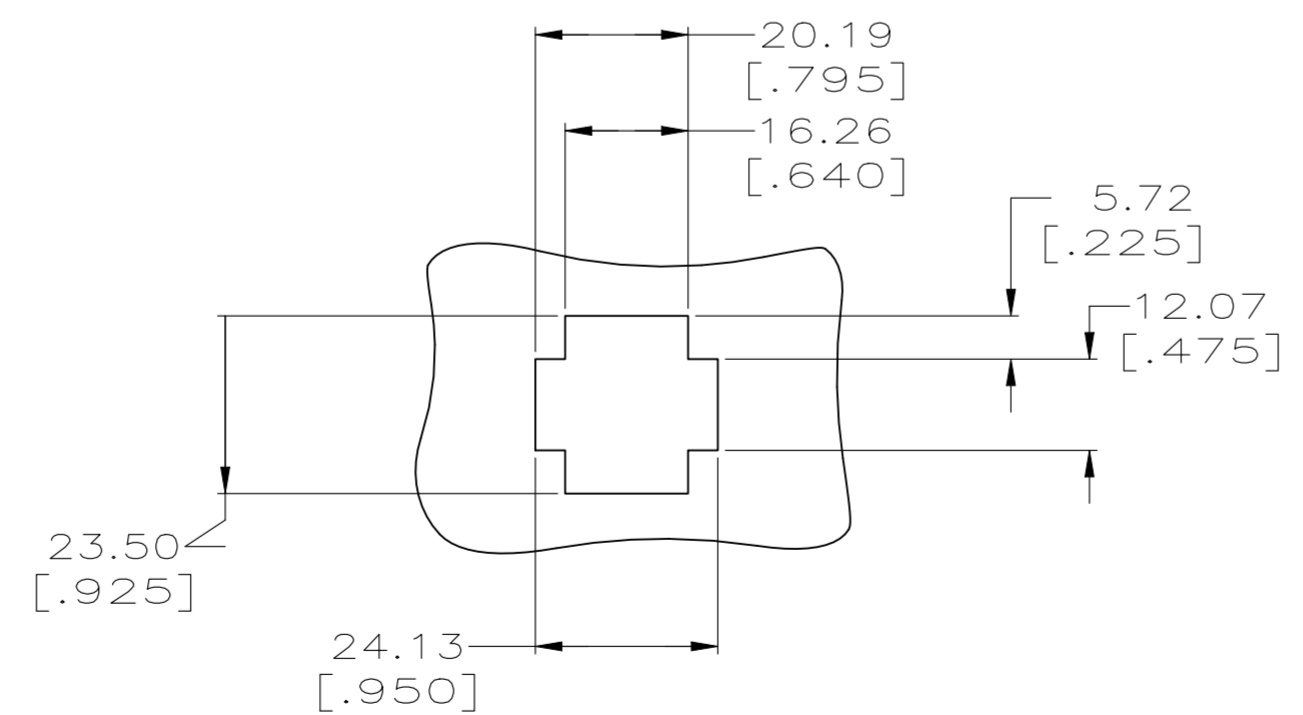
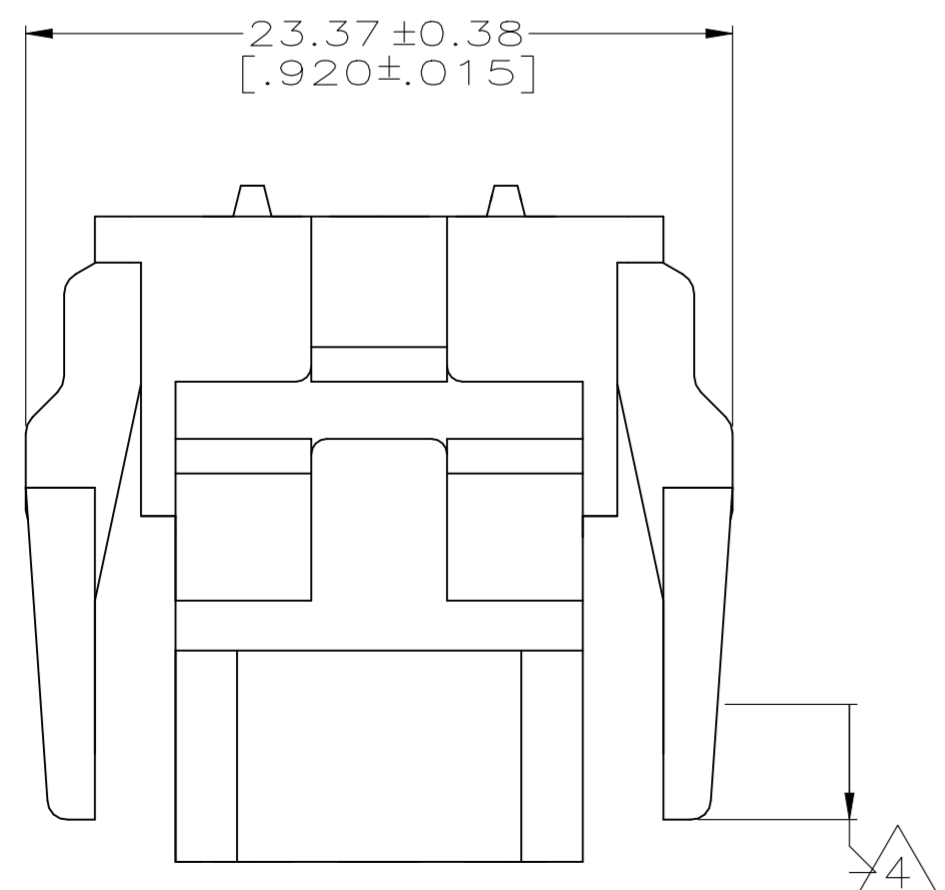


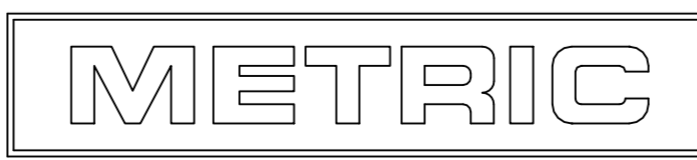
REVISIONS					
P	LTR	DESCRIPTION	DATE	DWN	APVD
G		ECO-21-006876	15DEC2021	RK	MZ



- 1. MATES WITH HOUSING 640512.
- 2. UL LOGO AND CSA LOGO TO APPEAR ON EITHER LATCH SURFACE PER AMP SPEC 202-20, I.D. NO. 1-18838-3 AND 1-18839-3. FROST BACKGROUND OPTIONAL.
- 3. DIMENSIONS IN BRACKETS ARE IN INCHES.
- 4. NON-FILL PERMITTED UP TO 3.8[.15] FROM EDGE OF LATCH ARM ON THE 0.38[.015] THICK FLANGE, 4 PLC.
- 5. HOUSING MATERIAL: PA66, BLACK, UL 94 V-0 RATED



RECOMMENDED CUT OUT FOR 1.73[.068] MAX THICK PANEL SCALE 1:1



1-640522-0
PART NUMBER

THIS DRAWING IS A CONTROLLED DOCUMENT.		DWN R. VESTAL 12-01-97			
DIMENSIONS: mm [INCHES]		CHK R. SWING 12-01-97			
TOLERANCES UNLESS OTHERWISE SPECIFIED:		APVD A. BEDDICK 12-01-97	NAME HOUSING, PLUG MRII 12 POSITION		
0 PLC ± -		PRODUCT SPEC	SIZE A2	CAGE CODE 00779	DRAWING NO C-640522
1 PLC ± -		APPLICATION SPEC	RESTRICTED TO		
2 PLC ± 0.13[.005]		WEIGHT	-		
3 PLC ± -		CUSTOMER DRAWING	SCALE 4:1	SHEET 1 of 1	REV G
4 PLC ± -		FINISH	-		
ANGLES ± 0° 30'					