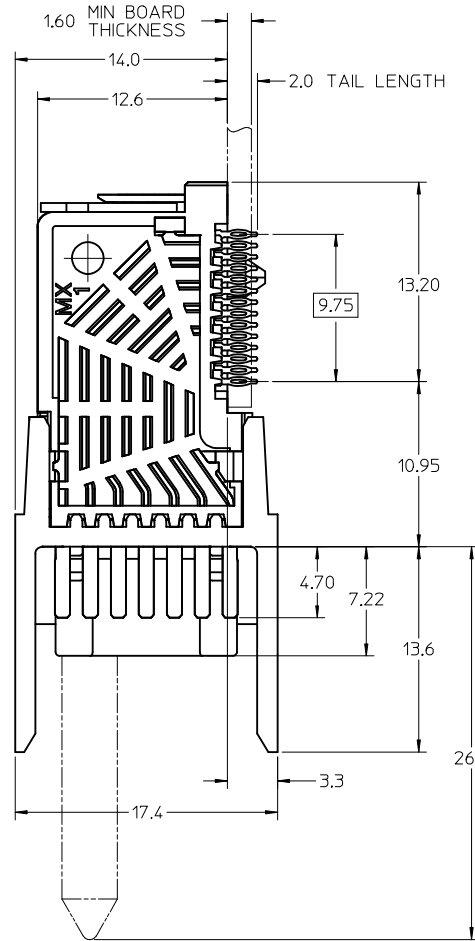
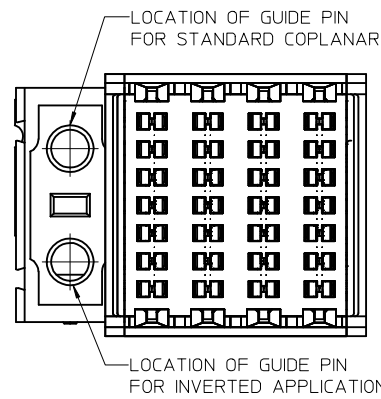
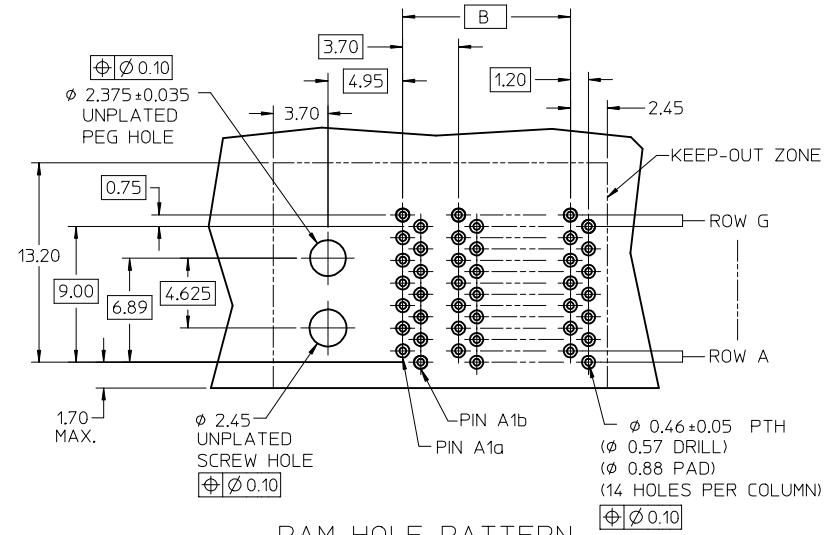


ADDITIONAL SPACE REQUIRED FOR END WALL VERSION



STANDARD PIN OPTION
(76011-***3)
(76011-***7)



RAM HOLE PATTERN
(CONNECTOR SIDE)

- NOTES:
1. MATERIALS: HOUSING - LIQUID CRYSTAL POLYMER (LCP), BLACK, UL 94V-0
TERMINALS - HIGH PERFORMANCE COPPER ALLOY
 2. FINISH: SELECTIVE GOLD (Au) IN CONTACT AREA,
SELECTIVE MATTE TIN (Sn) IN TAIL AREA,
NICKEL (Ni) UNDERPLATE OVERALL.
 3. MOLEX PRODUCT SPECIFICATION: PS-75710-999.
 4. OPTIONAL GUIDE PIN SHOWN IN COPLANAR LOCATION.
 5. THIS PART CONFORMS TO CLASS B REQUIREMENTS OF
COSMETIC SPEC PS-45499-002.
 6. PACKAGED PER PK-70873-588.
 7. MAPS (MOLEX ADVANCED PLATING SYSTEM).

LEAD FREE CON/MAPS EC NO: UCP2013-4120 DRW: BARKER 2012/11/12 CHKD: MOLLER 2013/03/20 APPR: MILLER 2013/08/05	QUALITY SYMBOLS ▽=0 ▽=0 ▽=0	GENERAL TOLERANCES (UNLESS SPECIFIED)		DIMENSION STYLE MM ONLY		SCALE 4:1	DESIGN UNITS METRIC	THIRD ANGLE PROJECTION		
		mm	INCH	DRAWN BY ELO	DATE 2006/05/04	TITLE I-TRAC 7-ROW RIGHT ANGLE MALE GUIDE LEFT ASSEMBLY				
		4 PLACES ± ---	± ---	CHECKED BY ELO	DATE 2007/02/02	molex DOCUMENT NO. SD-76011-002 SHEET NO. 1 OF 3				
		3 PLACES ± ---	± ---	APPROVED BY CB XLER	DATE 2007/02/05					
2 PLACES ± 0.13	± ---	ANGULAR ± ---°		MATERIAL NO.		SEE SHEET 2				
1 PLACE ± 0.25	± ---	DRAFT WHERE APPLICABLE MUST REMAIN WITHIN DIMENSIONS		SIZE C		THIS DRAWING CONTAINS INFORMATION THAT IS PROPRIETARY TO MOLEX INCORPORATED AND SHOULD NOT BE USED WITHOUT WRITTEN PERMISSION				
0 PLACE ±	±									

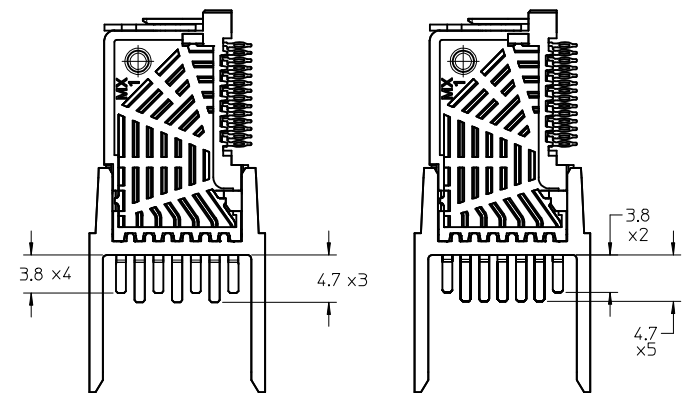
7 6 0 1 1 - * * * *

MODULE TYPE - TAIL PLATING TYPE
 GUIDE LEFT, - MATTE TIN (FORMERLY TIN/LEAD) = 2
 GUIDE LEFT, - MATTE TIN = 3
 GUIDE LEFT, END WALL - MATTE TIN (FORMERLY TIN/LEAD) = 6
 GUIDE LEFT, END WALL - MATTE TIN = 7

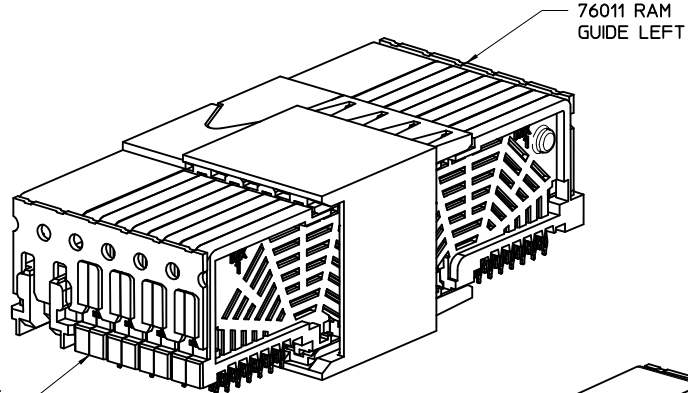
OF COLUMNS
 4 = 4 COL
 6 = 6 COL
 1 = 10 COL

PIN LENGTH/PLATING
 3 = 4.70 30 GOLD
 5 = 4 X 3.80, 3 X 4.70 STAGGERED 30 GOLD
 6 = 2 X 3.80, 5 X 4.70 STAGGERED 30 GOLD
 7 = 4.70 10 GOLD (MAPS)
 8 = 4 X 3.80, 3 X 4.70 STAGGERED 10 GOLD (MAPS)
 9 = 2 X 3.80, 5 X 4.70 STAGGERED 10 GOLD (MAPS)

ORIENTATION OF GUIDE POST
 2 = COPLANAR
 3 = INVERTED



STAGGERED PIN OPTION (76011-***5) (76011-***8)
 STAGGERED PIN OPTION (76011-***6) (76011-***9)

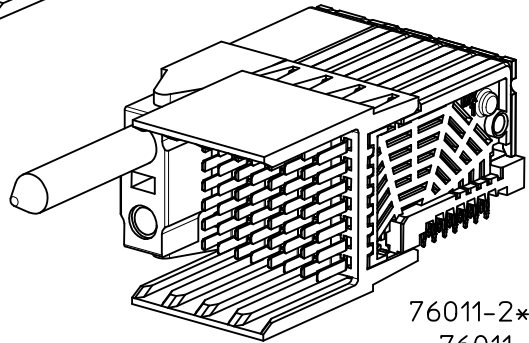


76011 RAM GUIDE LEFT

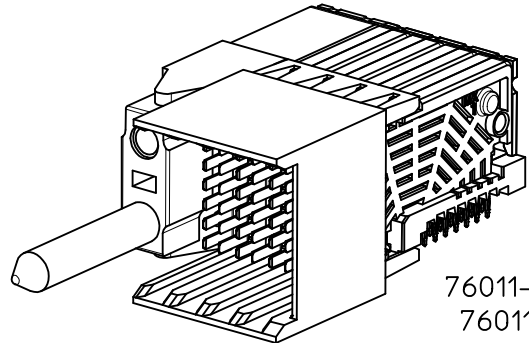
76020 DC GUIDE RIGHT

NOTE:

WHEN MATING RIGHT ANGLE MALE (RAM) TO A DAUGHTERCARD IN A COPLANAR APPLICATION, THE GUIDE CONFIGURATION IS OPPOSING (DC GUIDE RIGHT MATED TO RAM GUIDE LEFT). WHEN INVERTED, THE RAM AND DAUGHTERCARD HAVE THE SAME GUIDE CONFIGURATION (DC GUIDE LEFT MATED TO RAM GUIDE LEFT). (SEE SHEET 3)



76011-2*2* or 76011-3*2* GUIDE LEFT, COPLANAR

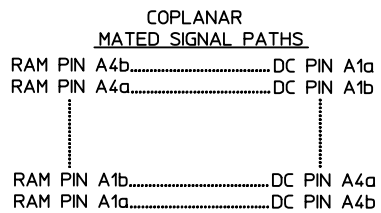
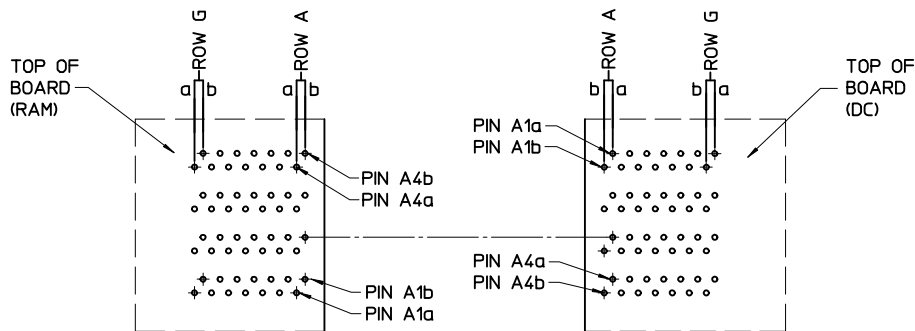
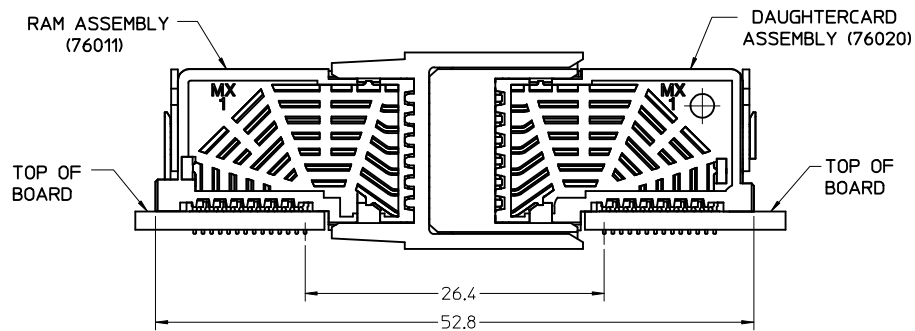


76011-6*3* or 76011-7*3* GUIDE LEFT, END WALL, INVERTED

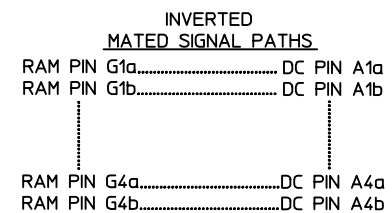
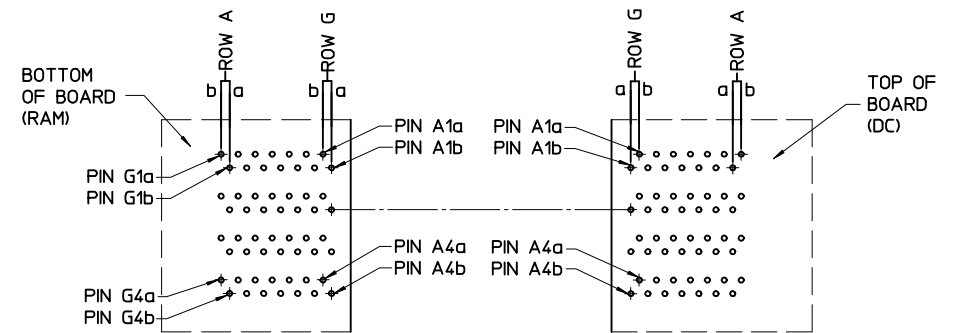
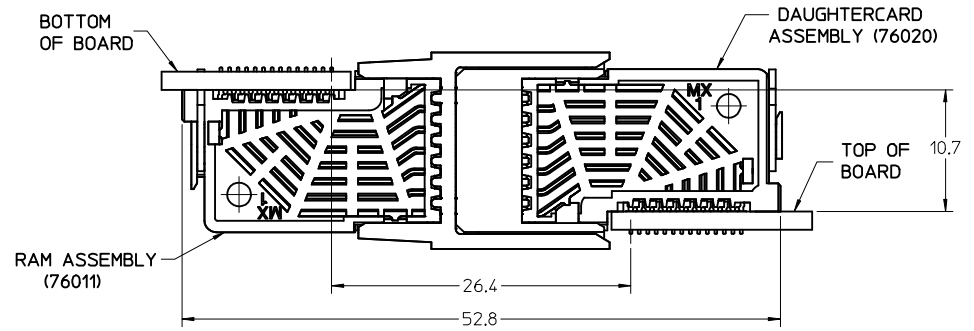
PART NUMBER	# OF COLUMNS	DIM "A" MAX	DIM "B"
76011 - *4**	4	22.06	11.10
76011 - *6**	6	29.60	18.50
76011 - *1**	10	44.40	33.30

SEE SHEET 1 EC NO: UCP2013-4120 DRW: BARKER 2012/11/12 CHK: MWOLFE 2013/03/20 APPR: SMILLER 2013/08/05	QUALITY SYMBOLS	GENERAL TOLERANCES (UNLESS SPECIFIED)	DIMENSION STYLE MM ONLY	SCALE 3:1	DESIGN UNITS METRIC	THIRD ANGLE PROJECTION
	▽=0	mm INCH	DRAWN BY DATE ELO 2006/05/04	TITLE	I-TRAC 7-ROW RIGHT ANGLE MALE GUIDE LEFT ASSEMBLY molex DOCUMENT NO. SD-76011-002 SHEET NO. 2 OF 3	
	▽=0	4 PLACES ± --- ± ---	CHECKED BY DATE ELO 2007/02/02			
	▽=0	3 PLACES ± --- ± ---	APPROVED BY DATE CBIXLER 2007/02/05			
▽=0	2 PLACES ± 0.13 ± ---	MATERIAL NO.				
		1 PLACE ± 0.25 ± ---	SEE ABOVE			
		0 PLACE ± ±				
		ANGULAR ± --- °				
		DRAFT WHERE APPLICABLE MUST REMAIN WITHIN DIMENSIONS				

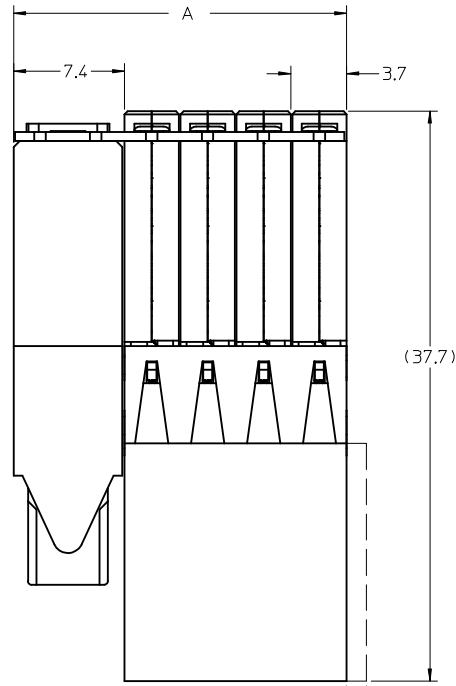
COPLANAR APPLICATION



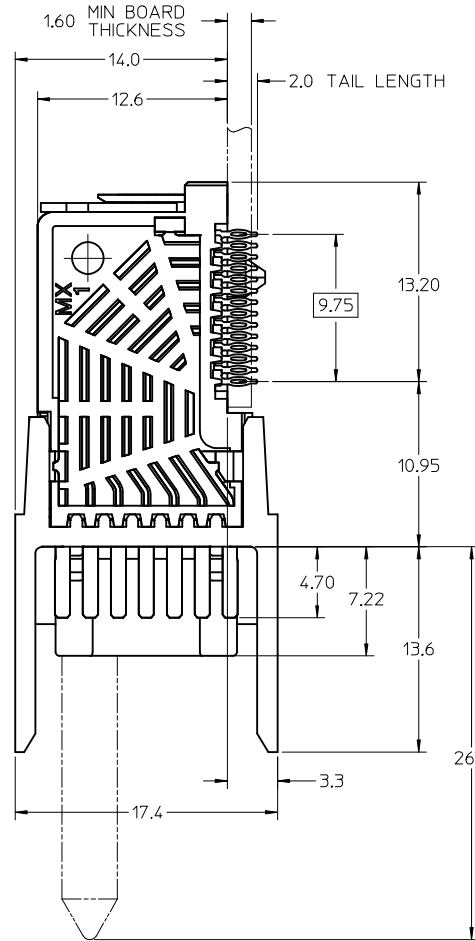
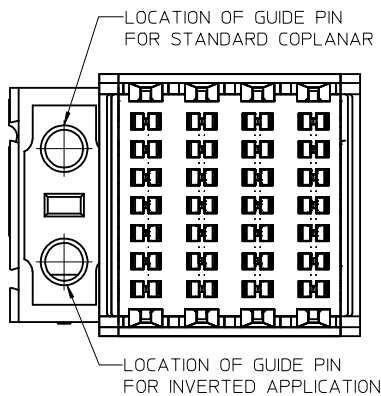
INVERTED APPLICATION



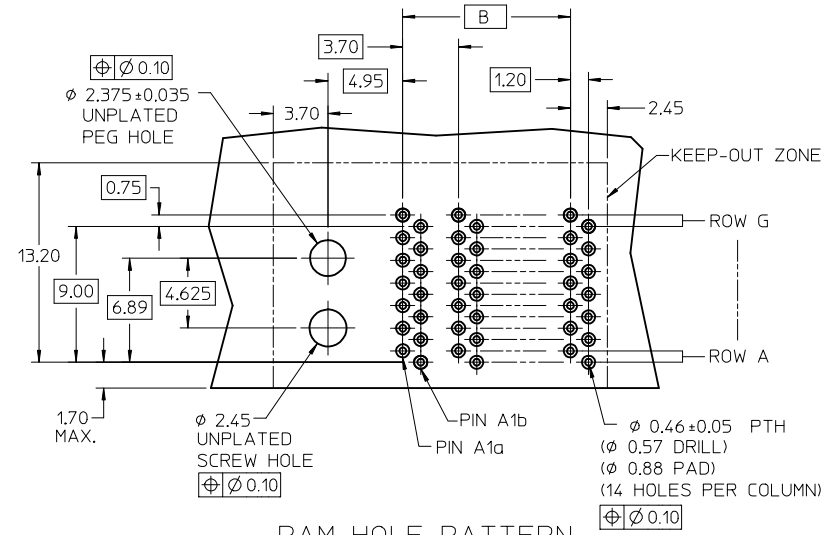
SEE SHEET 1 EC NO: UCP2013-4120 2012/11/12 DRWIN:BBARKER 2013/03/20 CHKD:MMOLFE 2013/08/05 APPR:SMILLER	QUALITY SYMBOLS	GENERAL TOLERANCES (UNLESS SPECIFIED)	DIMENSION STYLE MM ONLY	SCALE 2:1	DESIGN UNITS METRIC	THIRD ANGLE PROJECTION
	▽=0	mm INCH	DRAWN BY DATE	TITLE	I-TRAC 7-ROW RIGHT ANGLE MALE GUIDE LEFT ASSEMBLY molex DOCUMENT NO. SD-76011-002 SHEET NO. 3 OF 3	
	▽=0	4 PLACES ± --- ± ---	ELO 2006/05/04	CHECKED BY DATE		
	▽=0	3 PLACES ± --- ± ---	ELO 2007/02/02	APPROVED BY DATE		
▽=0	2 PLACES ± 0.13 ± ---	CBIXLER 2007/02/05	MATERIAL NO.			
		1 PLACE ± 0.25 ± ---	SEE SHEET 2			
		0 PLACE ± ±	DRAFT WHERE APPLICABLE MUST REMAIN WITHIN DIMENSIONS			
		ANGULAR ± ---°	THIS DRAWING CONTAINS INFORMATION THAT IS PROPRIETARY TO MOLEX INCORPORATED AND SHOULD NOT BE USED WITHOUT WRITTEN PERMISSION			



ADDITIONAL SPACE REQUIRED FOR END WALL VERSION



STANDARD PIN OPTION
(76011-***3)
(76011-***7)



RAM HOLE PATTERN
(CONNECTOR SIDE)

- NOTES:
1. MATERIALS: HOUSING - LIQUID CRYSTAL POLYMER (LCP), BLACK, UL 94V-0
TERMINALS - HIGH PERFORMANCE COPPER ALLOY
 2. FINISH: SELECTIVE GOLD (Au) IN CONTACT AREA,
SELECTIVE MATTE TIN (Sn) IN TAIL AREA,
NICKEL (Ni) UNDERPLATE OVERALL.
 3. MOLEX PRODUCT SPECIFICATION: PS-75710-999.
 4. OPTIONAL GUIDE PIN SHOWN IN COPLANAR LOCATION.
 5. THIS PART CONFORMS TO CLASS B REQUIREMENTS OF
COSMETIC SPEC PS-45499-002.
 6. PACKAGED PER PK-70873-588.
 7. MAPS (MOLEX ADVANCED PLATING SYSTEM).

LEAD FREE CON/MAPS EC NO: UCP2013-4120 DRW: BARKER 2012/11/12 CHKD: MOLLFE 2013/03/20 APPR: MILLER 2013/08/05	QUALITY SYMBOLS ▽=0 ▽=0 ▽=0	GENERAL TOLERANCES (UNLESS SPECIFIED)		DIMENSION STYLE MM ONLY		SCALE 4:1	DESIGN UNITS METRIC	THIRD ANGLE PROJECTION		
		mm	INCH	DRAWN BY ELO	DATE 2006/05/04	TITLE I-TRAC 7-ROW RIGHT ANGLE MALE GUIDE LEFT ASSEMBLY				
		4 PLACES ± ---	± ---	CHECKED BY ELO	DATE 2007/02/02	molex DOCUMENT NO. SD-76011-002 SHEET NO. 1 OF 3				
		3 PLACES ± ---	± ---	APPROVED BY CB XLER	DATE 2007/02/05					
2 PLACES ± 0.13	± ---	ANGULAR ± ---°		MATERIAL NO.		SEE SHEET 2				
1 PLACE ± 0.25	± ---	DRAFT WHERE APPLICABLE MUST REMAIN WITHIN DIMENSIONS		SIZE C		THIS DRAWING CONTAINS INFORMATION THAT IS PROPRIETARY TO MOLEX INCORPORATED AND SHOULD NOT BE USED WITHOUT WRITTEN PERMISSION				
0 PLACE ±	±									

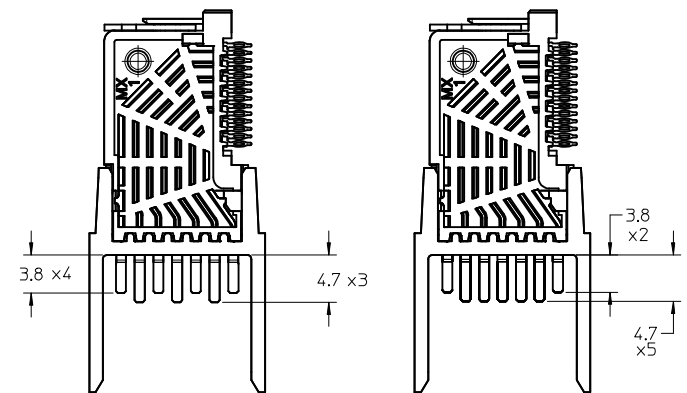
7 6 0 1 1 - * * * *

MODULE TYPE - TAIL PLATING TYPE
 GUIDE LEFT, - MATTE TIN (FORMERLY TIN/LEAD) = 2
 GUIDE LEFT, - MATTE TIN = 3
 GUIDE LEFT, END WALL - MATTE TIN (FORMERLY TIN/LEAD) = 6
 GUIDE LEFT, END WALL - MATTE TIN = 7

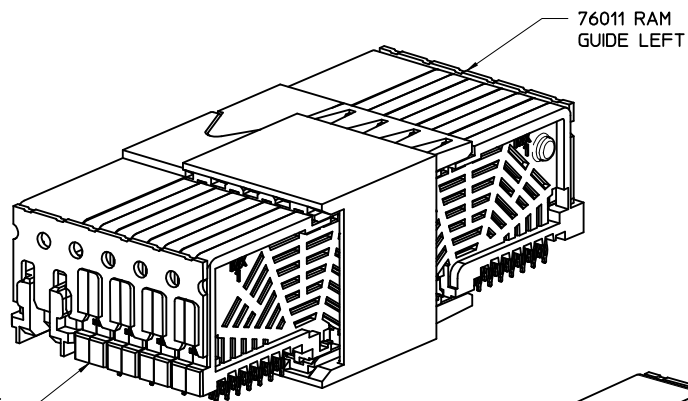
OF COLUMNS
 4 = 4 COL
 6 = 6 COL
 1 = 10 COL

PIN LENGTH/PLATING
 3 = 4.70 30 GOLD
 5 = 4 X 3.80, 3 X 4.70 STAGGERED 30 GOLD
 6 = 2 X 3.80, 5 X 4.70 STAGGERED 30 GOLD
 7 = 4.70 10 GOLD (MAPS)
 8 = 4 X 3.80, 3 X 4.70 STAGGERED 10 GOLD (MAPS)
 9 = 2 X 3.80, 5 X 4.70 STAGGERED 10 GOLD (MAPS)

ORIENTATION OF GUIDE POST
 2 = COPLANAR
 3 = INVERTED



STAGGERED PIN OPTION (76011-***5) (76011-***8)
 STAGGERED PIN OPTION (76011-***6) (76011-***9)

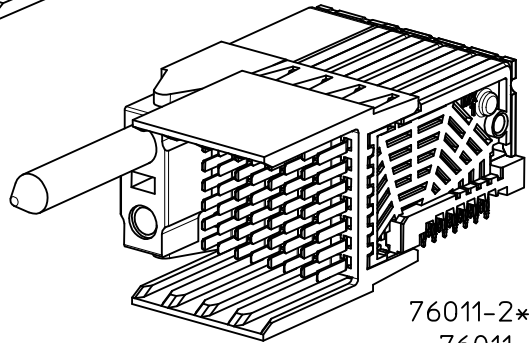


76011 RAM GUIDE LEFT

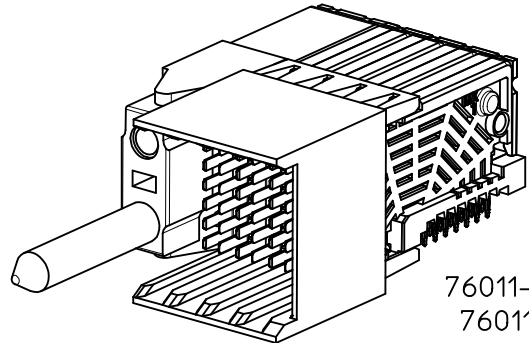
76020 DC GUIDE RIGHT

NOTE:

WHEN MATING RIGHT ANGLE MALE (RAM) TO A DAUGHTERCARD IN A COPLANAR APPLICATION, THE GUIDE CONFIGURATION IS OPPOSING (DC GUIDE RIGHT MATED TO RAM GUIDE LEFT). WHEN INVERTED, THE RAM AND DAUGHTERCARD HAVE THE SAME GUIDE CONFIGURATION (DC GUIDE LEFT MATED TO RAM GUIDE LEFT). (SEE SHEET 3)



76011-2*2* or 76011-3*2* GUIDE LEFT, COPLANAR

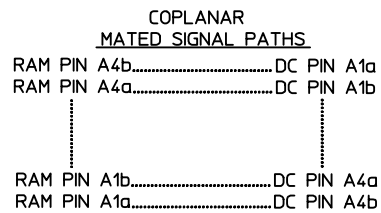
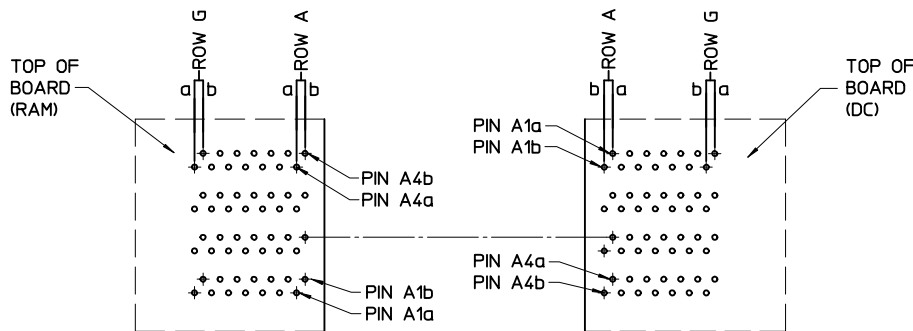
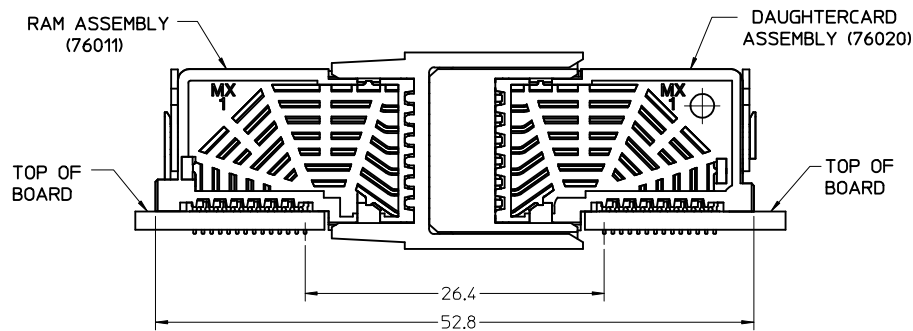


76011-6*3* or 76011-7*3* GUIDE LEFT, END WALL, INVERTED

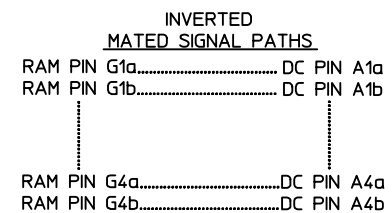
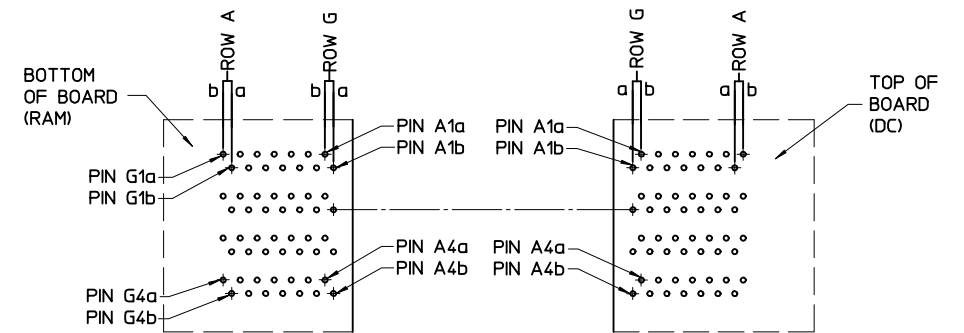
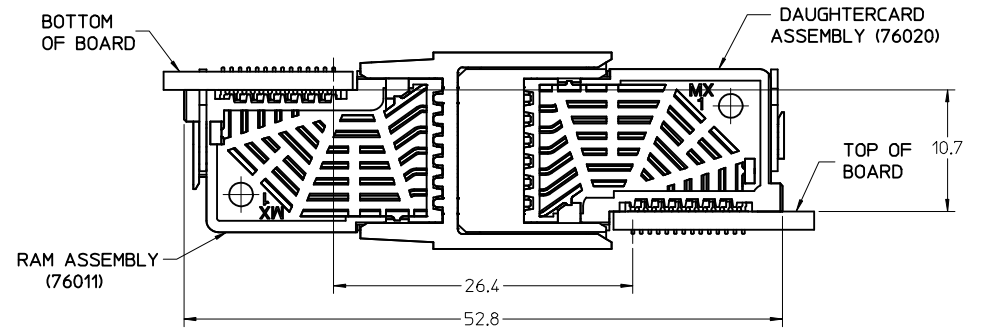
PART NUMBER	# OF COLUMNS	DIM "A" MAX	DIM "B"
76011 - *4**	4	22.06	11.10
76011 - *6**	6	29.60	18.50
76011 - *1**	10	44.40	33.30

SEE SHEET 1 EC NO: UCP2013-4120 DRW: BARKER 2012/11/12 CHK: MOLLER 2013/03/20 APPR: SMILLER 2013/08/05	QUALITY SYMBOLS ▽=0 ▽=0 ▽=0	GENERAL TOLERANCES (UNLESS SPECIFIED)		DIMENSION STYLE MM ONLY		SCALE 3:1	DESIGN UNITS METRIC	THIRD ANGLE PROJECTION		
		4 PLACES ± --- ± --- 3 PLACES ± --- ± --- 2 PLACES ± 0.13 ± --- 1 PLACE ± 0.25 ± --- 0 PLACE ± ±	mm INCH ± --- ± --- ± 0.13 ± --- ± 0.25 ± --- ± ±	DRAWN BY ELO 2006/05/04	DATE 2006/05/04	CHECKED BY ELO 2007/02/02	DATE 2007/02/02	I-TRAC 7-ROW RIGHT ANGLE MALE GUIDE LEFT ASSEMBLY molex		
		ANGULAR ± --- °		APPROVED BY CBIXLER 2007/02/05	DATE 2007/02/05	MATERIAL NO. SEE ABOVE	DOCUMENT NO. SD-76011-002			
		DRAFT WHERE APPLICABLE MUST REMAIN WITHIN DIMENSIONS		THIS DRAWING CONTAINS INFORMATION THAT IS PROPRIETARY TO MOLEX INCORPORATED AND SHOULD NOT BE USED WITHOUT WRITTEN PERMISSION						

COPLANAR APPLICATION



INVERTED APPLICATION



SEE SHEET 1 EC NO: UCP2013-4120 2012/11/12 DRWIN:BBARKER 2013/03/20 CHKD:MMOLFE 2013/08/05 APPR:SMILLER	QUALITY SYMBOLS ∇=0 ∇=0 ∇=0	GENERAL TOLERANCES (UNLESS SPECIFIED) mm INCH 4 PLACES ± --- ± --- 3 PLACES ± --- ± --- 2 PLACES ± 0.13 ± --- 1 PLACE ± 0.25 ± --- 0 PLACE ± ± ANGULAR ± ---°	DIMENSION STYLE MM ONLY DRAWN BY DATE ELO 2006/05/04 CHECKED BY DATE ELO 2007/02/02 APPROVED BY DATE CBI XLER 2007/02/05	SCALE 2:1 DESIGN UNITS METRIC THIRD ANGLE PROJECTION	TITLE I-TRAC 7-ROW RIGHT ANGLE MALE GUIDE LEFT ASSEMBLY molex	DOCUMENT NO. SD-76011-002	SHEET NO. 3 OF 3
	DRAFT WHERE APPLICABLE MUST REMAIN WITHIN DIMENSIONS	SEE SHEET 2	THIS DRAWING CONTAINS INFORMATION THAT IS PROPRIETARY TO MOLEX INCORPORATED AND SHOULD NOT BE USED WITHOUT WRITTEN PERMISSION				