

Date Issued :	March 22, 2022	PCN Number :	511774
Reason for Change :	Packaging Method/Quantity Changing		
Description of Change :	This notification is to inform you that the part(s) listed in this notice that will undergo changes for a new Delivery unit. No changes will be made to the product as a result of this change.		
Reason for Short Notice :	Corrective Actions		
Assessment of Change :	Dimension analysis		
Planned Implementation Date :	May 06, 2022		
Sample Availability Date:	May 06, 2022		
Internal Molex Qualification Date :	April 15, 2022		
Last date to request Samples by Customer :	March 22, 2022		

Before Picture

Change Point

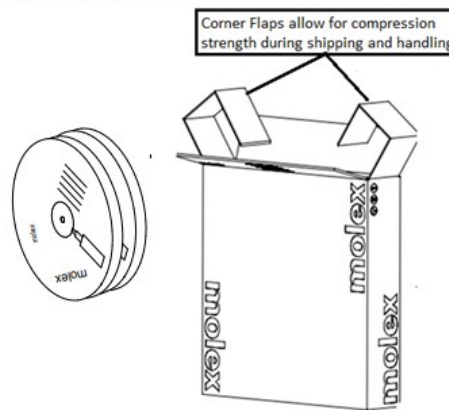
Before:

Single Reel 2,500 pcs
Box 309076500



After:

2 Reels 5,000 pcs
Box 85-01-0030



1 Molex Confidential Information
© Molex, LLC – All Rights Reserved. Unauthorized Reproduction/Distribution is Prohibited.

molex

After Picture

Overview

- **Delivery Unit Change for the Mini-Fit Sr. Terminals**
 - Change is part of an improvement program standardizing Delivery Unit values to align with packaging standards and ensure product quality.
 - Reduce repackaging of parts from the standard production packaging.
 - Improve customer service by reducing errors in ordering/delivery
- **Part Numbers Impacted**
 - See attached parts list
- **Product Impact**
 - No change in fit , form or function
 - No change in part production
- **Delivery unit change only**
 - Level 1 PPAP will be provided upon request
 - No Samples will be provided based on this change

2 Molex Confidential Information
© Molex, LLC – All Rights Reserved. Unauthorized Reproduction/Distribution is Prohibited.

molex

Additional Information :

Dimensional Analysis of Packaging

- Current Packaging is 1 reel (2500pcs) in Box 309076500
 - Box Dimensions are 30 x 30 x 2.25"
 - Small minor flaps at corners do not allow for compression strength when box is closed allowing corners to crush and potential for reels/product in box to be damaged during shipping and handling.

- New Packaging will be 2 reels (5000pcs) in Box 85-01-0030
 - Box Dimensions are 30.25 x 30.25 x 4.06"
 - Corners have minor flaps that tuck well and provide the outer corners with additional compression strength during shipping and handling (as shown on slide 1 after photo)

3

Molex Confidential Information
© Molex, LLC – All Rights Reserved. Unauthorized Reproduction/Distribution is Prohibited.

molex

RELEASED

You may address inquiries regarding this PCN by clicking on the below link
mailto:pcn_coordinator@molex.com?subject=PCN_Notification:511774
or contact your Local Sales Engineer.

Note: While responding, please retain " PCN Notification : **PCN Notification: 511774** " in the e-mail Subject line for faster response.

[Molex, LLC](#)
2222 Wellington Court
Lisle, IL 60532
TEL (800) 786-6539
www.molex.com

Updated Quantity Template

Molex Part Number	Current Standard Pack	Current	New Standard Pack	New Minimum
	Quantity (DU)	Minimum Order Quantity(MLQ)	Quantity (DU)	Order Quantity(MLQ)
428150019	2,500	2,500	5,000	5,000
428150031	2,500	2,500	5,000	5,000
428150134	2,500	2,500	5,000	5,000
428150041	2,500	2,500	5,000	5,000
428150044	2,500	2,500	5,000	5,000
428170011	2,500	2,500	5,000	5,000
428170014	2,500	2,500	5,000	5,000
428170021	2,500	2,500	5,000	5,000
428170034	2,500	2,500	5,000	5,000
428170041	2,500	2,500	5,000	5,000
428170044	2,500	2,500	5,000	5,000
428170111	2,500	2,500	5,000	5,000
428170114	2,500	2,500	5,000	5,000
428171114	2,500	2,500	5,000	5,000
428170134	2,500	2,500	5,000	5,000
428171134	2,500	2,500	5,000	5,000
428170141	2,500	2,500	5,000	5,000
428170142	2,500	2,500	5,000	5,000
428170144	2,500	2,500	5,000	5,000
428171144	2,500	2,500	5,000	5,000