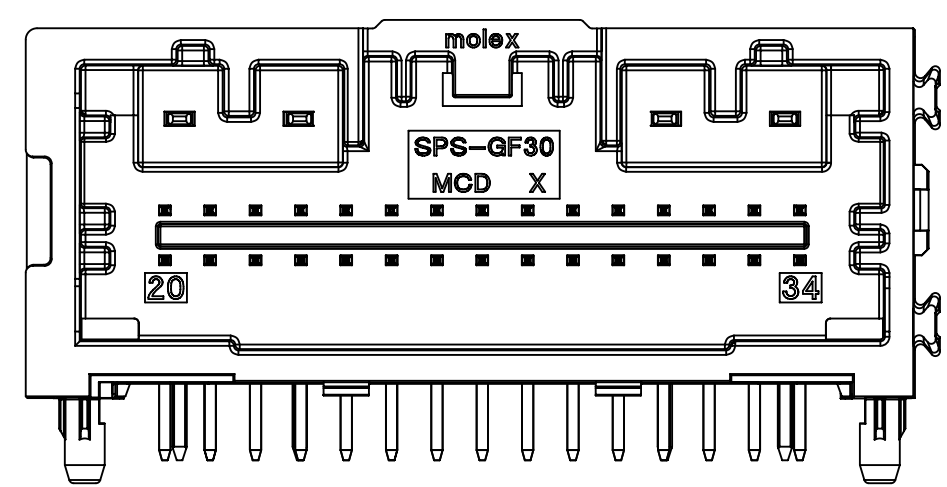
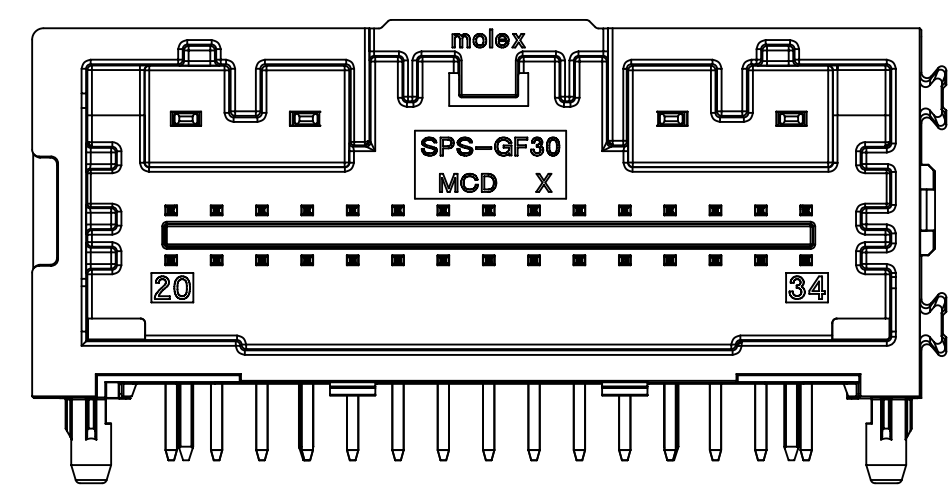


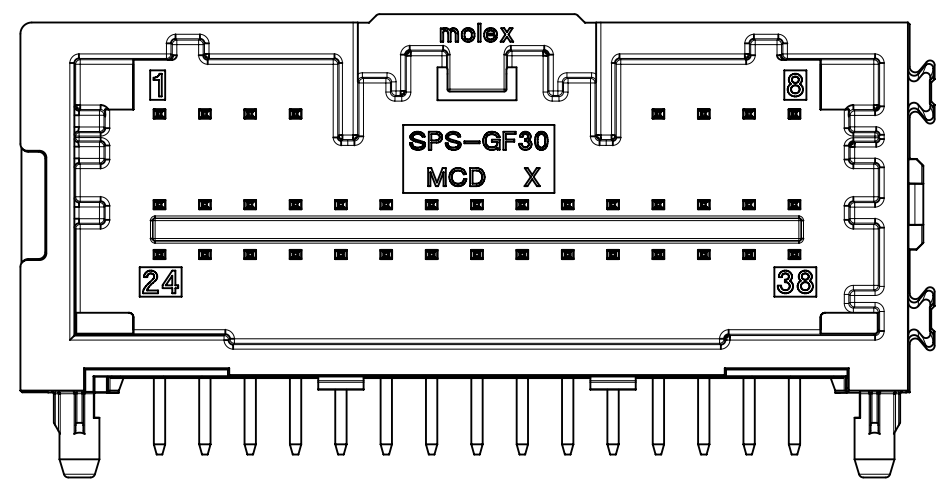
34WAY POLARIZATION OPTION 'A'
P/N: 34961-0340



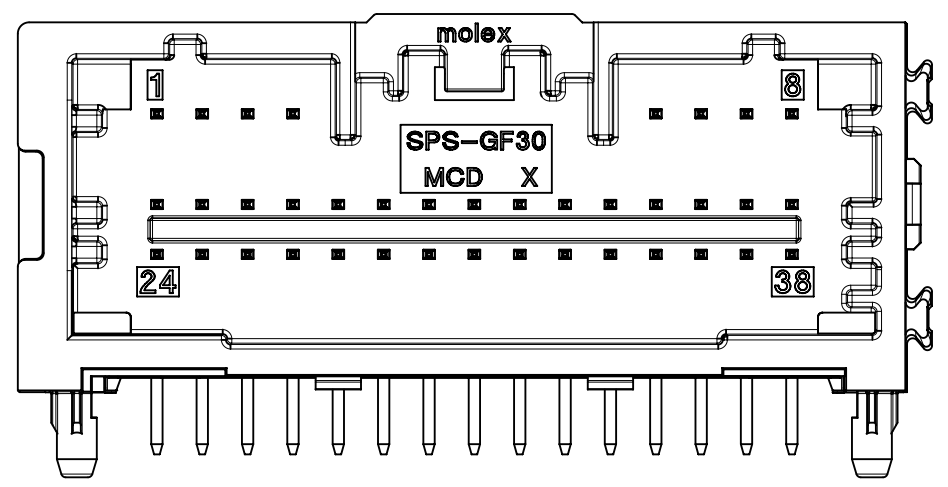
34WAY POLARIZATION OPTION 'B'
P/N: 34961-0341



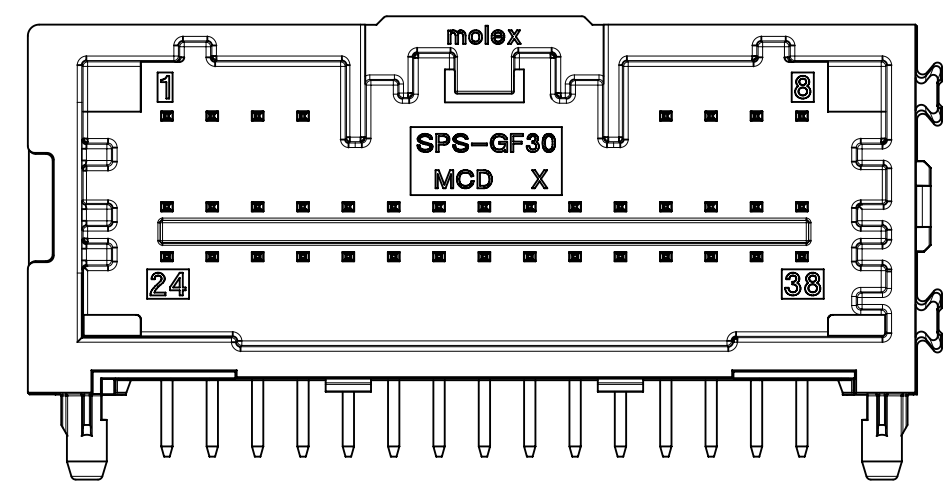
34WAY POLARIZATION OPTION 'C'
P/N: 34961-0342



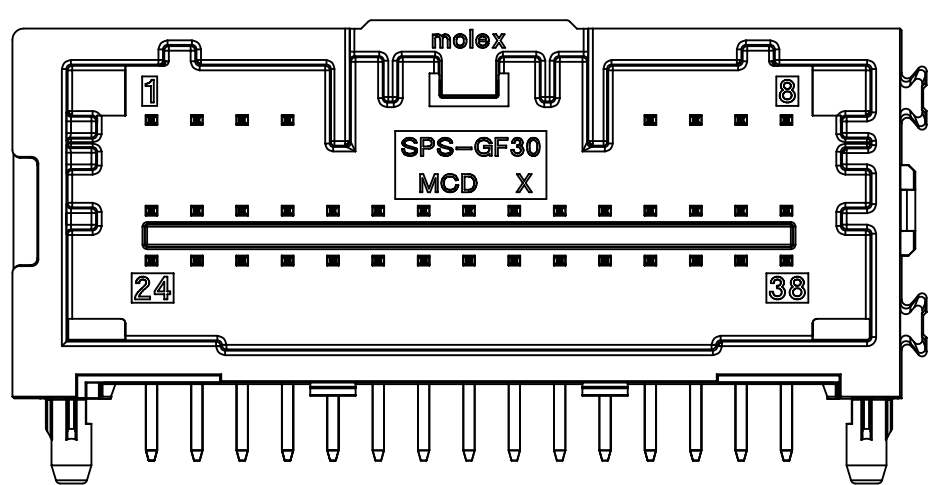
38WAY POLARIZATION OPTION UPDATED 'A' (H1)
P/N: 34961-0383



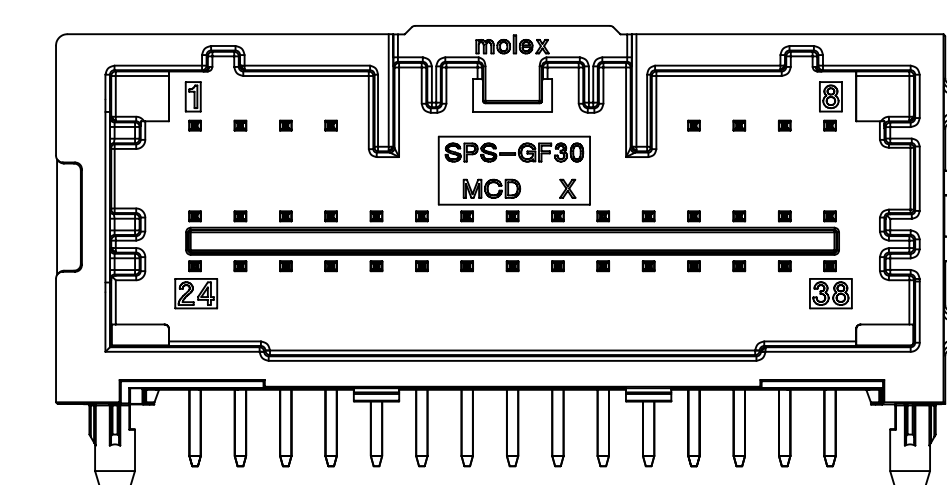
38WAY POLARIZATION OPTION UPDATED 'B' (H1)
P/N: 34961-0384



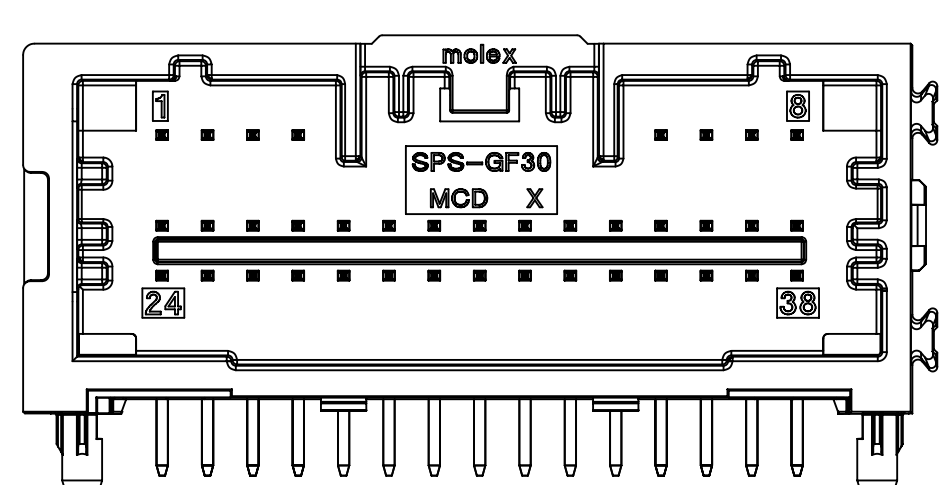
38WAY POLARIZATION OPTION UPDATED 'C' (H1)
P/N: 34961-0385



38WAY POLARIZATION OPTION 'A'
P/N: 34961-0380



38WAY POLARIZATION OPTION 'B'
P/N: 34961-0381



38WAY POLARIZATION OPTION 'C'
P/N: 34961-0382

NOTES: VALID UNLESS OTHERWISE SPECIFIED

1. GENERAL:

a. CONNECTOR HEADER MUST BE VALIDATED TO THE FOLLOWING FUNCTIONAL REQUIREMENTS:

VALIDATION SPECIFICATION: GMW3191 JUNE 2012

SOLDERABILITY: SMES-152

b. APPLICATION REQUIREMENTS (REFERENCE ONLY) FOR:

SEE APPLICATION SPECIFICATION: AS-34959-001

SEE PRODUCT SPECIFICATION: PS-34959-001

MATES WITH: SD-34959-030

c. PACKAGING SPECIFICATION PER MOLEX DRAWING PK-XXXXX-XXX

2. DESIGN: MATERIALS:

a. SHROUD (PLASTIC HOUSING):
RESIN - SPS 30%GF

b. PIN ALIGNMENT PLATE:
RESIN - SPS 30%GF

c. 0.50MM BLADES:
BASE MATERIAL: C26800
PLATING TYPE: AS NOTED

d. 1.20MM BLADES:
BASE MATERIAL: C26800
PLATING TYPE: AS NOTED

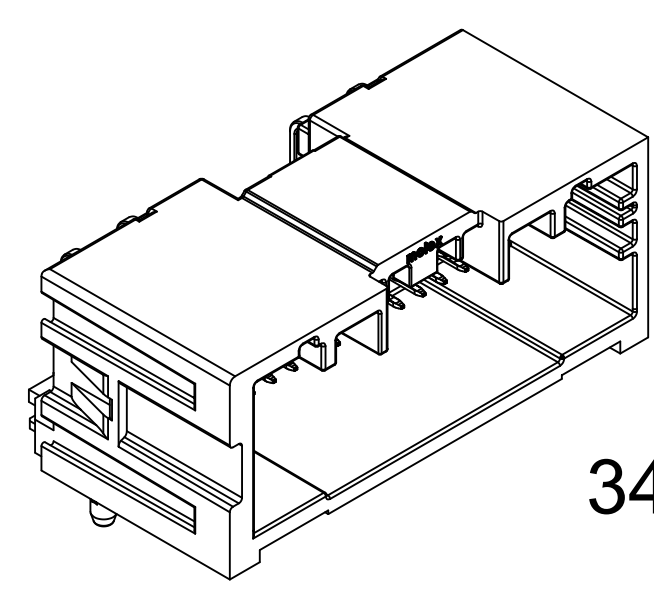
3. PLATING REQUIREMENTS:

a. UNDERPLATING - OVERALL NICKEL

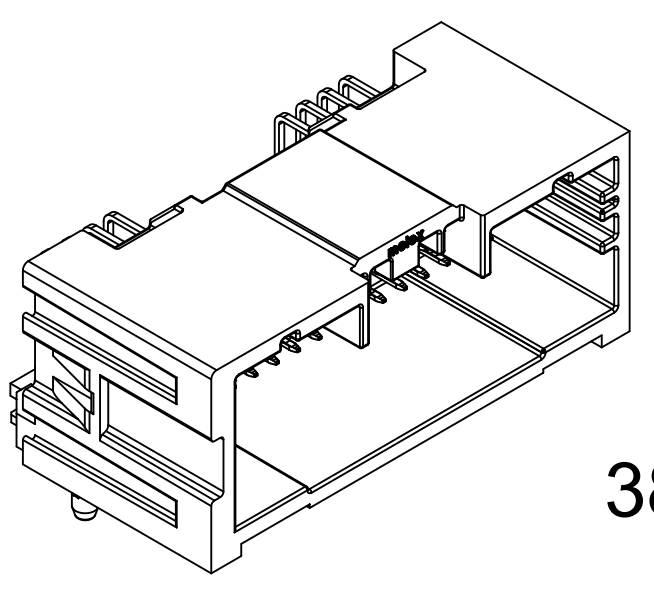
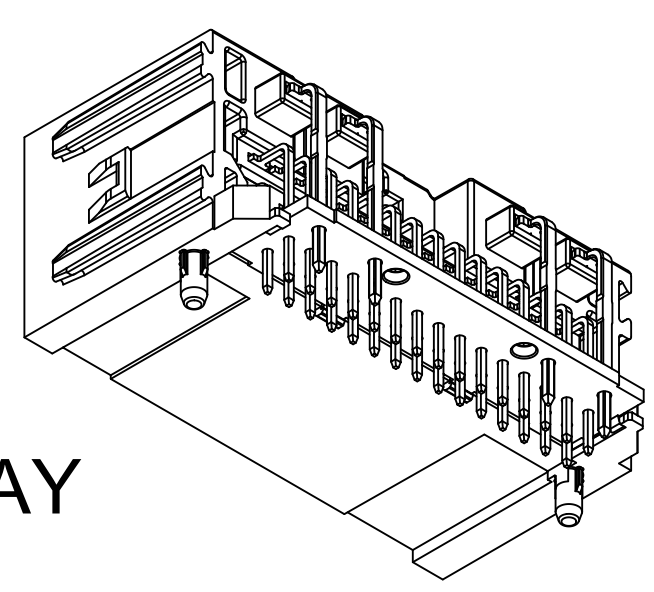
b. OVERPLATING - OVERALL TIN

MATERIAL NUMBER			CKT SIZE	DESCRIPTION	POL	COLOR	STATUS
TRAY PACKAGING PK-31302-070	TUBE PACKAGING PK-31301-688	TAPE AND REEL PK-47799-0001					
34961-0340	34961-7340	34961-8340	34	34CKT MINI50 RIGHT ANGLE HEADER ASSEMBLY	A	BLACK	SALEABLE
34961-0341	34961-7341	34961-8341	34	34CKT MINI50 RIGHT ANGLE HEADER ASSEMBLY	B	GREY	SALEABLE
34961-0342	34961-7342	34961-8342	34	34CKT MINI50 RIGHT ANGLE HEADER ASSEMBLY	C	DK GREY	SALEABLE
34961-0380	34961-7380	34961-8380	38	38CKT MINI50 RIGHT ANGLE HEADER ASSEMBLY	A	BLACK	WILL BE OBSOLETE IN 2019 (H1)
34961-0381	34961-7381	34961-8381	38	38CKT MINI50 RIGHT ANGLE HEADER ASSEMBLY	B	GREY	WILL BE OBSOLETE IN 2019 (H1)
34961-0382	34961-7382	34961-8382	38	38CKT MINI50 RIGHT ANGLE HEADER ASSEMBLY	C	DK GREY	WILL BE OBSOLETE IN 2019 (H1)
34961-0383	34961-7383	34961-8383	38	38CKT MINI50 RIGHT ANGLE HEADER ASSEMBLY	UPDATED A	BLACK	SALEABLE (H1)
34961-0384	34961-7384	34961-8384	38	38CKT MINI50 RIGHT ANGLE HEADER ASSEMBLY	UPDATED B	GREY	SALEABLE (H1)
34961-0385	34961-7385	34961-8385	38	38CKT MINI50 RIGHT ANGLE HEADER ASSEMBLY	UPDATED C	DK GREY	SALEABLE (H1)

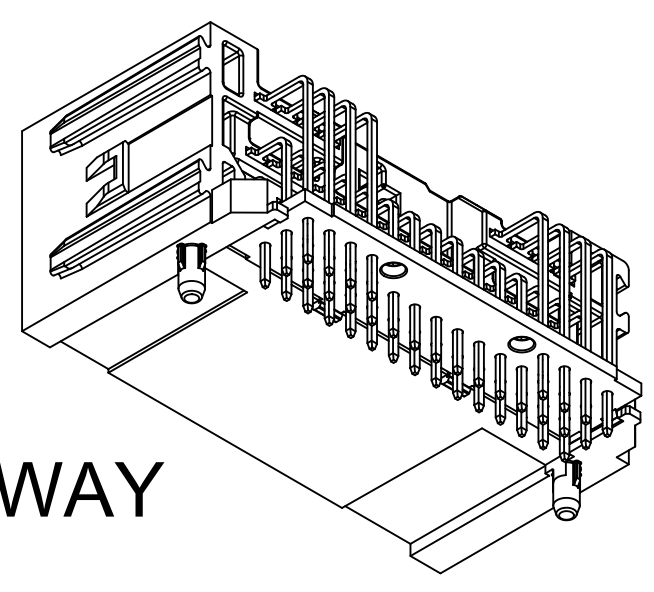
REV	REV DESCRIPTION	ECN SAP NO.
H1	1. UPDATED NEWEST VIEW OF THE POLARIZATION OPTION UPDATED A & B C. 2. ADDED DIM 1A, DIM 3A, DIM 6A, DIM 7A. 3. UPDATED PRODUCT STATUS. 4. UPDATED DIM 26: 0.4±0.03 WAS 0.4±0.10	609559
H	ADDED THE FOLLOW ITEMS TO CUSTOMER DRAWING: 1. ADDED DATUM F, DATUM G AND DATUM H, SEE SHEET 2 AND SHEET 3. 2. ADDED NEW UPWARD VIEW FOR 38WAY HEADER ASSEM, SEE SHEET 2. 3. ADDED NEW VIEW SECTION X-X, SECTION Y-Y, SECTION Z-Z AND SECTION W-W, SEE SHEET 3.	10904363
G	ADDED NEW VIEW OF UPDATED POL A & B C, SEE SHEET 1. ADDED NEW P/N: 34961-0383 \ 34961-0384 \ 34961-0385 \ 34961-7383 \ 34961-7384 \ 34961-7385 \ 34961-8383 \ 34961-8384 \ 34961-8385 IN THE BOM ON SHEET 1. ADDED PRODUCT STATUS IN BOM.	10885609



34 WAY



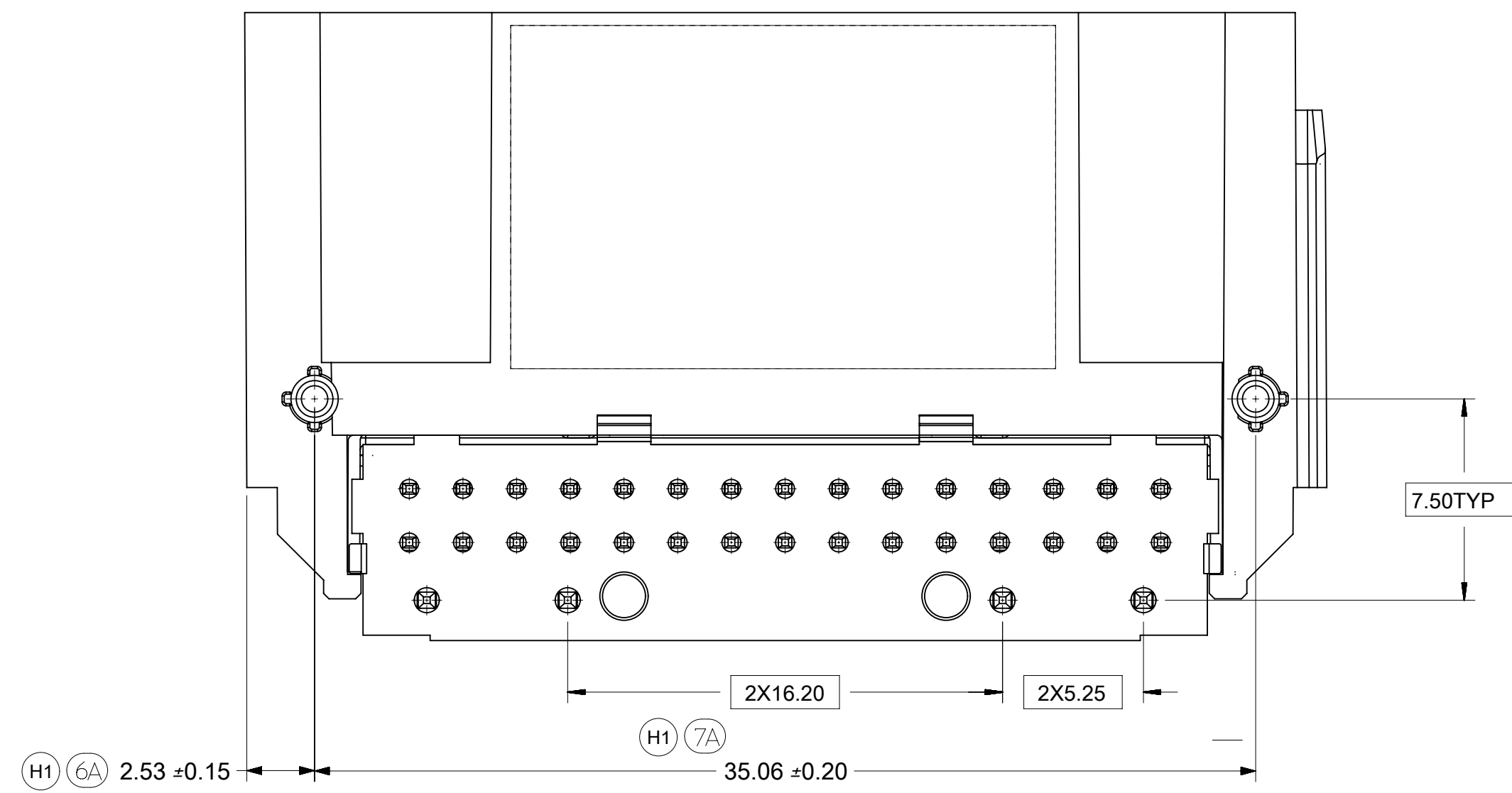
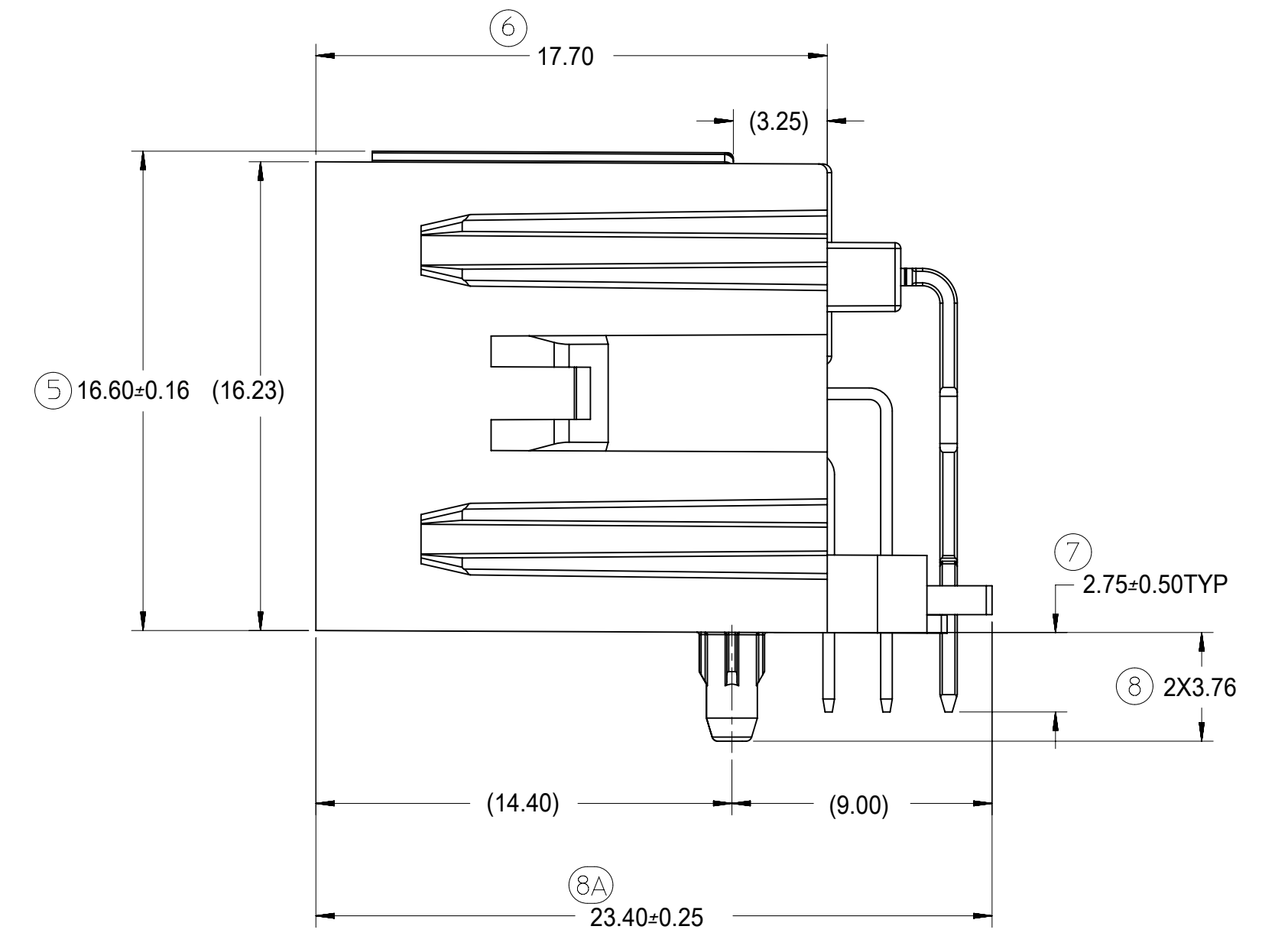
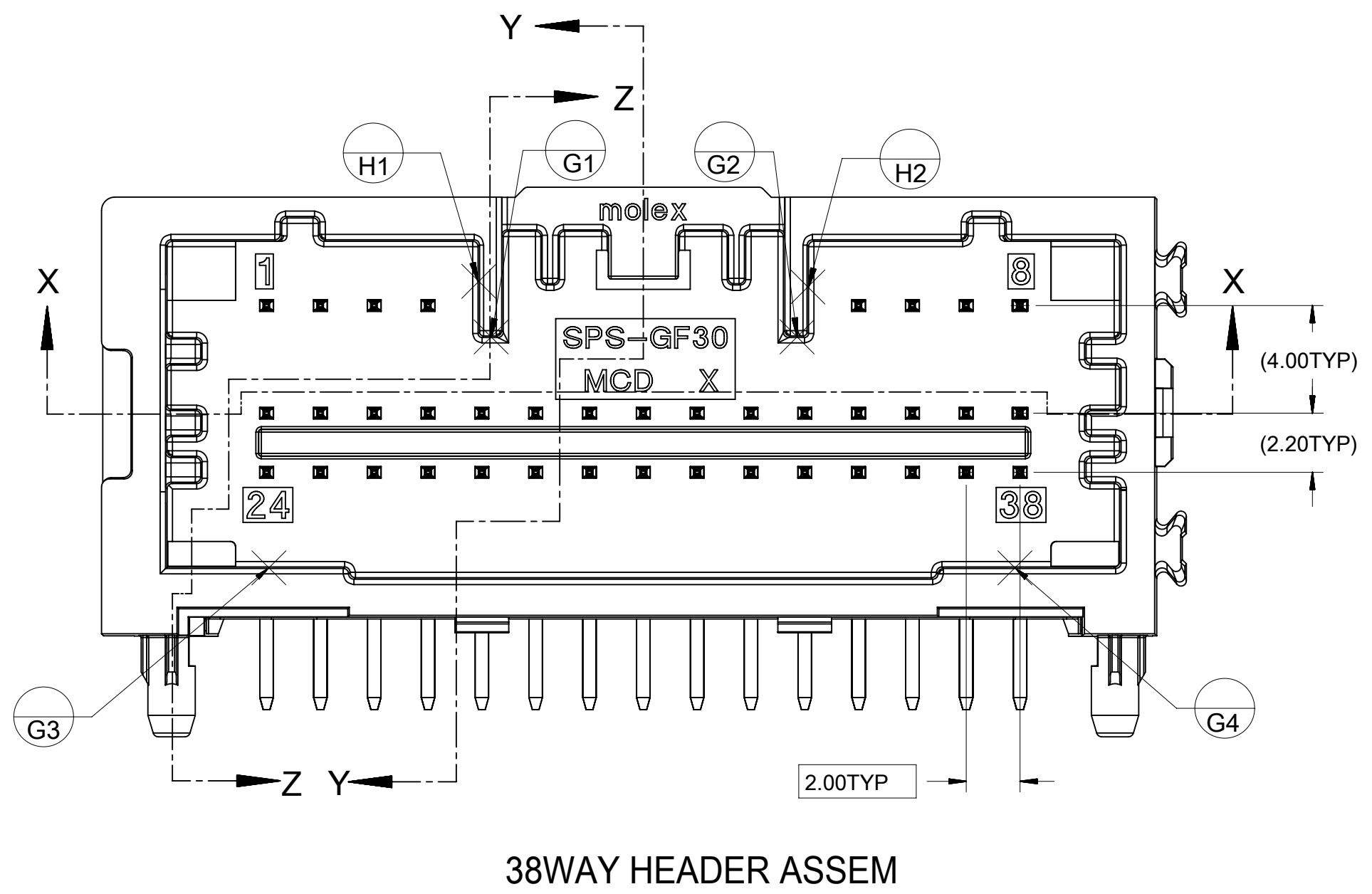
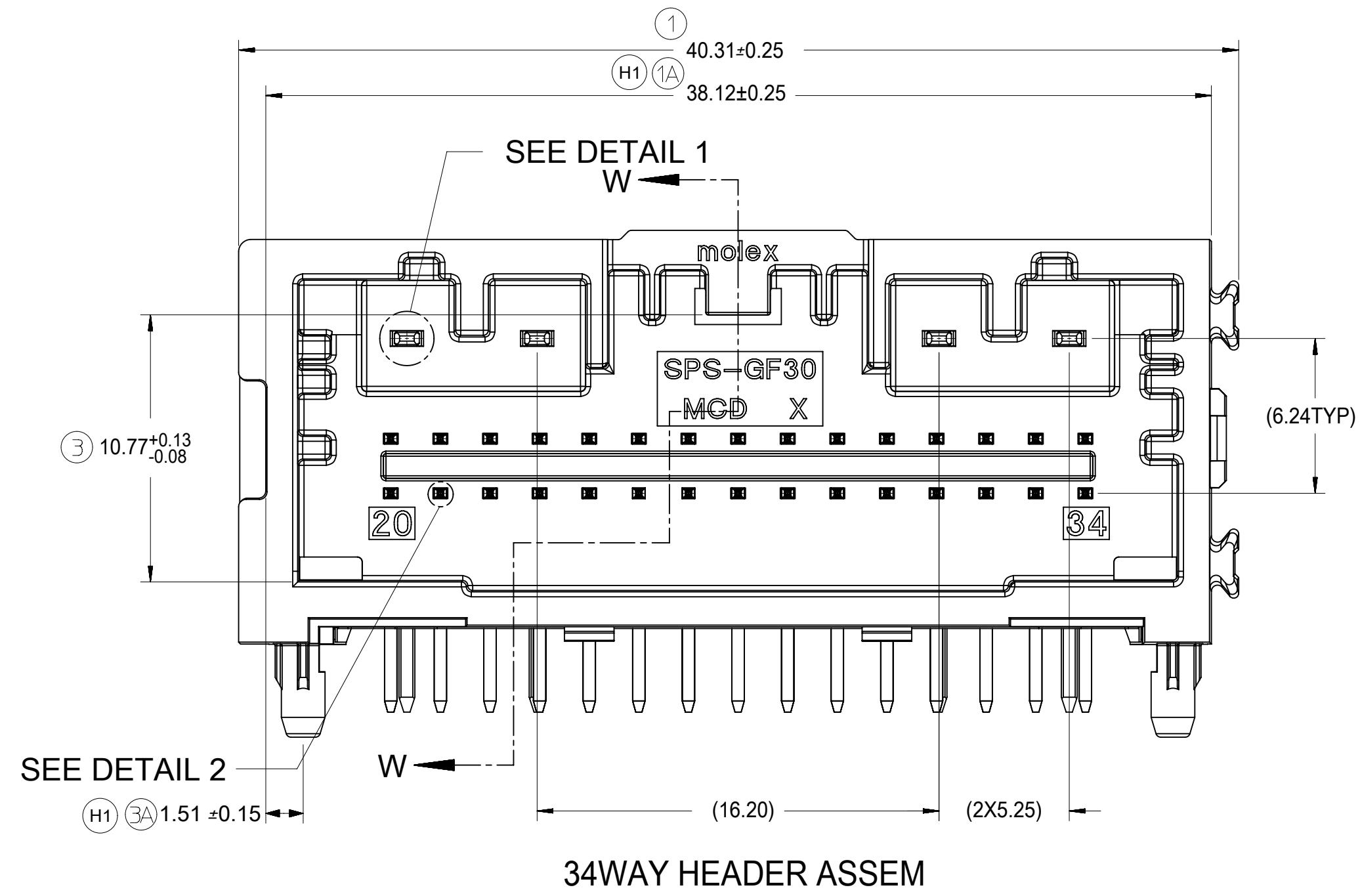
38 WAY



ISOMETRIC VIEW

SCALE 2:1

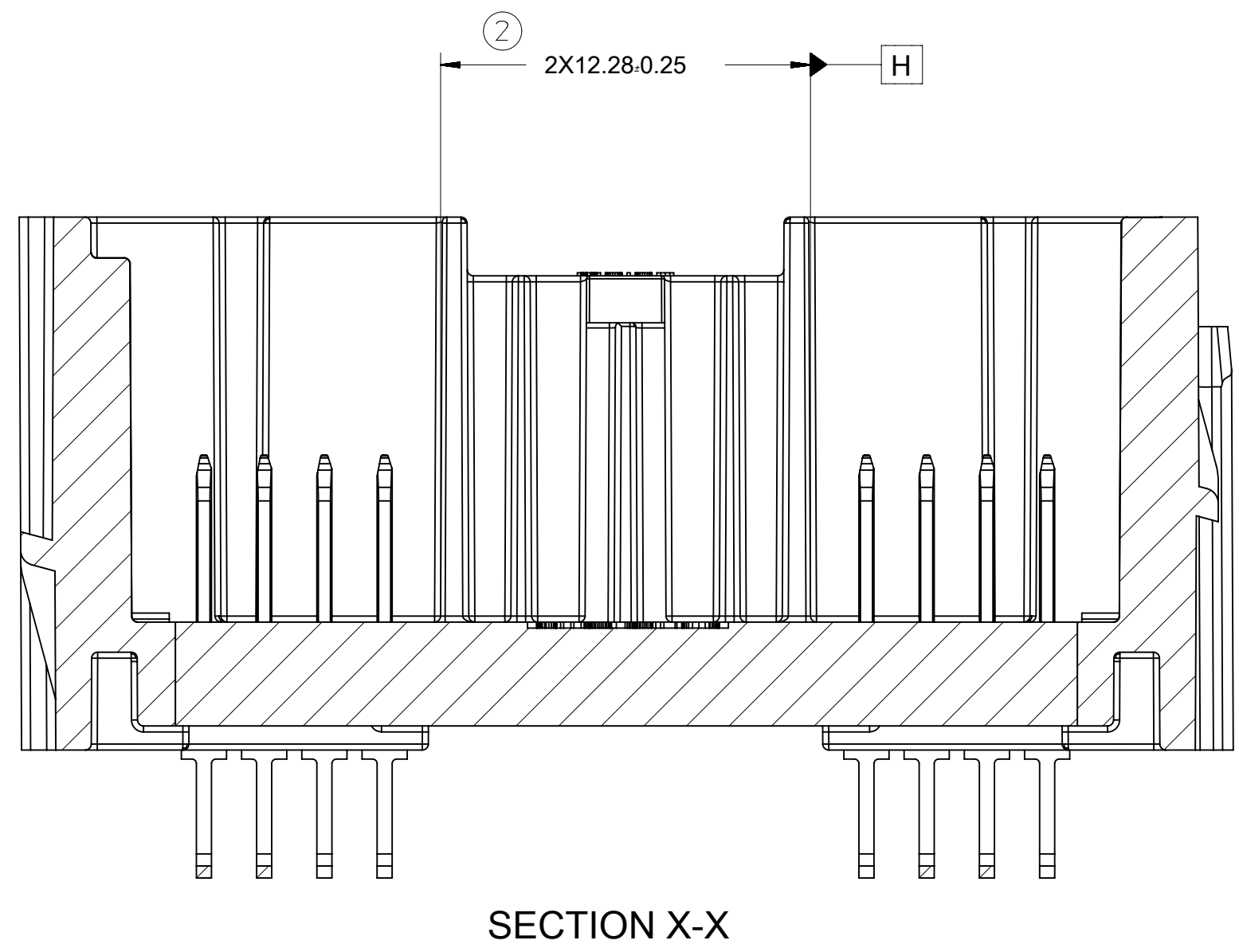
SYMBOLS	THIS DRAWING CONTAINS INFORMATION THAT IS PROPRIETARY TO MOLEX ELECTRONIC TECHNOLOGIES, LLC AND SHOULD NOT BE USED WITHOUT WRITTEN PERMISSION		CURRENT REV DESC:		
	DIMENSION UNITS	SCALE			
▽ = 0	mm	3:1			34 & 38 CKT MINI50 RIGHT ANGLE HEADER ASSEMBLY SALES DRAWING
▽ = 0	GENERAL TOLERANCES (UNLESS SPECIFIED)				
▽ = 0	ANGULAR TOL ± 1.0°				PRODUCT CUSTOMER DRAWING
▽ = 0	4 PLACES	±			
▽ = 0	3 PLACES	±			DOCUMENT NUMBER: SD-34961-030 DOC TYPE: PSD DOC PART: 001 REVISION: H1
▽ = 0	2 PLACES	±			
▽ = 0	1 PLACE	±			SHEET NUMBER: 1 OF 4
▽ = 0	0 PLACES	±			
■ = 0	DRAFT WHERE APPLICABLE MUST REMAIN WITHIN DIMENSIONS		THIRD ANGLE PROJECTION	DRAWING	SERIES
▽ = 0				D-SIZE	34961
EC NO: 609559 DRWN: SWU31 CHK'D: CDZHANG APPR: CDZHANG			2018/10/24 2018/12/31 2018/12/31		
INITIAL REVISION: DRWN: JFISCHER01 APPR: KDEKOSKI			2012/11/21 2012/12/21		
MATERIAL NUMBER: SD-34961-030			CUSTOMER: GENERAL MARKET		



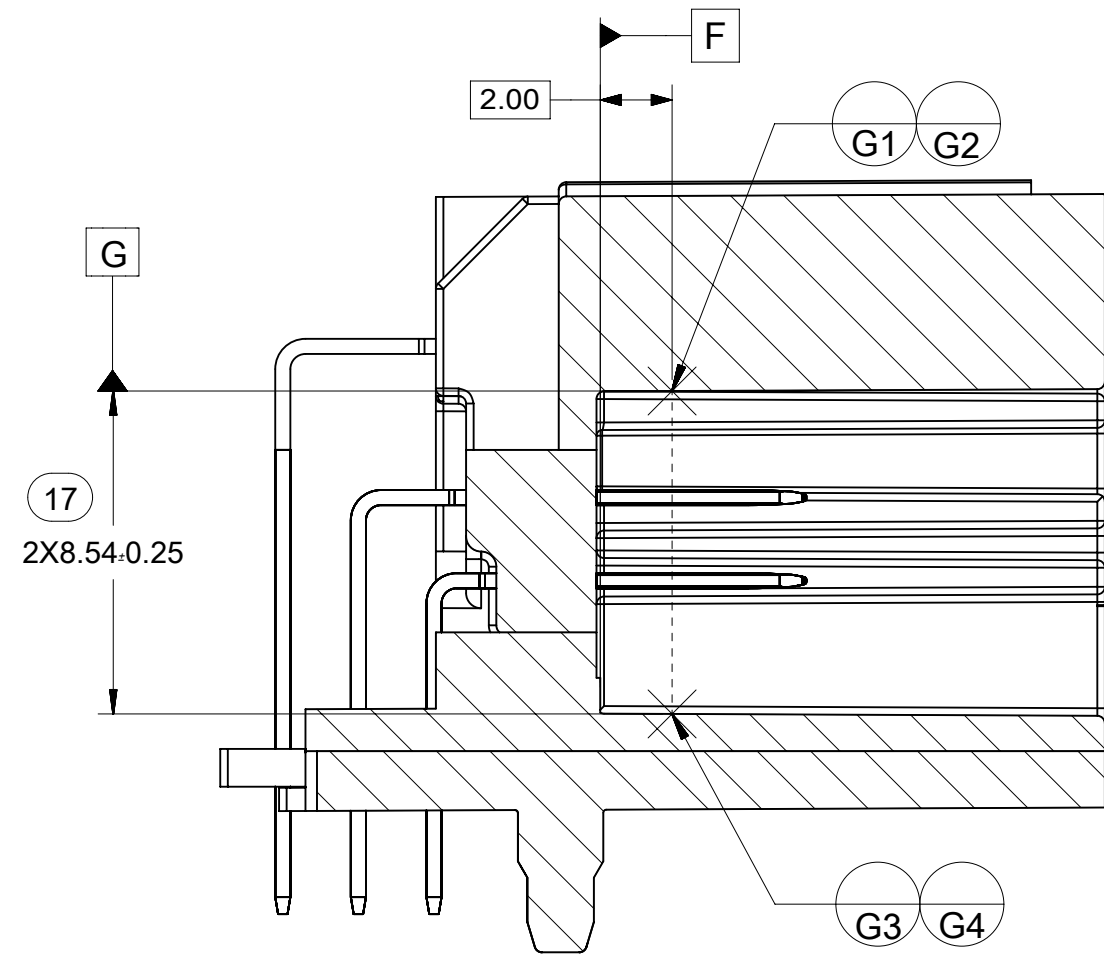
DIN 16901	CODE LETTER	NOMINAL DIMENSION RANGE													
		OVER UP TO	0	1	3	6	10	15	22	30	40	53	70	90	120
PRECISION	A		.10	.12	.14	.16	.20	.22	.24	.26	.28	.31	.35	.40	.50
ENGINEERING	B		.05	.06	.07	.08	.10	.12	.14	.16	.18	.21	.25	.30	.40

A: FOR NON-MOLD RELATED DIMENSIONS (ACROSS PARTING LINE)
 B: FOR MOLD RELATED DIMENSIONS (WITHIN MOLD COMPONENTS)

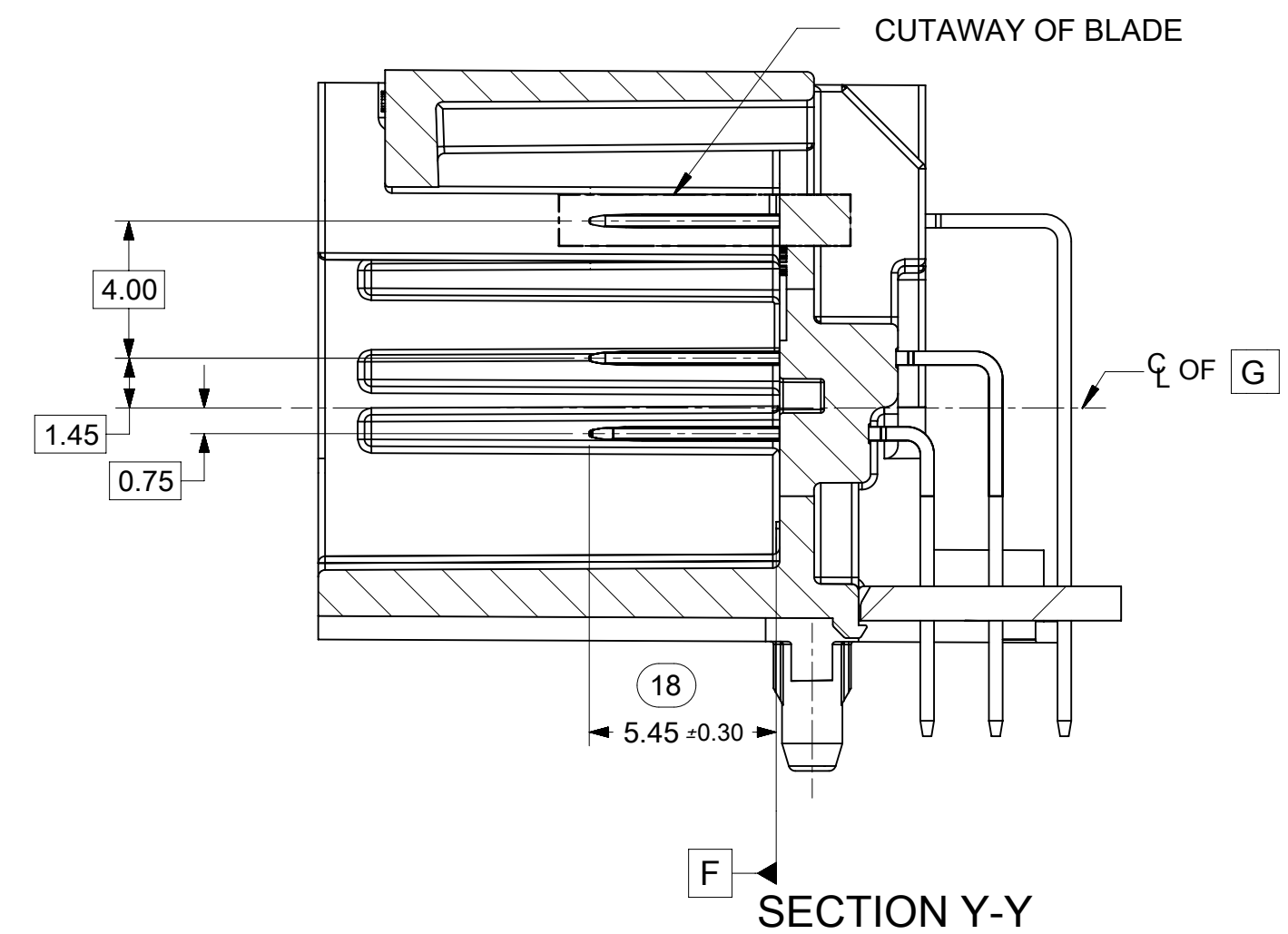
SYMBOLS	THIS DRAWING CONTAINS INFORMATION THAT IS PROPRIETARY TO MOLEX ELECTRONIC TECHNOLOGIES, LLC AND SHOULD NOT BE USED WITHOUT WRITTEN PERMISSION		CURRENT REV DESC:		
	$\nabla = 0$ $\nabla = 0$ $\nabla = 0$ $\nabla = 0$ $\nabla = 0$ $\nabla = 0$ $\nabla = 0$ $\nabla = 0$ $\nabla = 0$ $\nabla = 0$ $\nabla = 0$	DIMENSION UNITS: mm SCALE: 10:1 GENERAL TOLERANCES (UNLESS SPECIFIED) ANGULAR TOL ± 1.0° 4 PLACES ± 3 PLACES ± 2 PLACES ± 1 PLACE ± 0 PLACES ± DRAFT WHERE APPLICABLE MUST REMAIN WITHIN DIMENSIONS	EC NO: 609559 DRWN: SWU31 2018/10/24 CHK'D: CDZHANG 2018/12/31 APPR: CDZHANG 2018/12/31 INITIAL REVISION: DRWN: JFISCHER01 2012/11/21 APPR: KDEKOSKI 2012/12/21 THIRD ANGLE PROJECTION D-SIZE SERIES: 34961	PRODUCT CUSTOMER DRAWING DOCUMENT NUMBER: SD-34961-030 DOC TYPE: PSD DOC PART: 001 REVISION: H1 MATERIAL NUMBER: GENERAL MARKET CUSTOMER: GENERAL MARKET SHEET NUMBER: 2 OF 4	



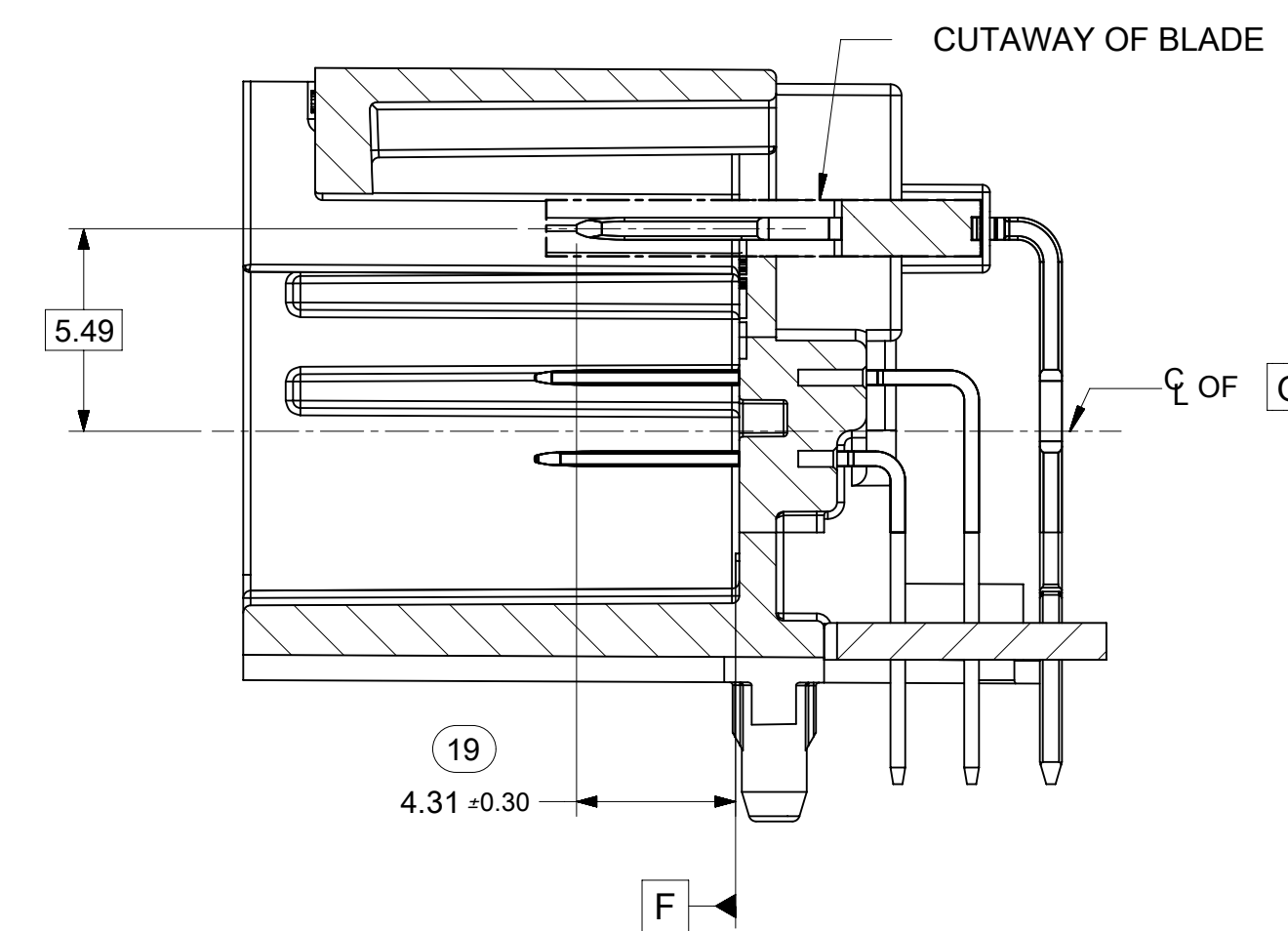
SECTION X-X



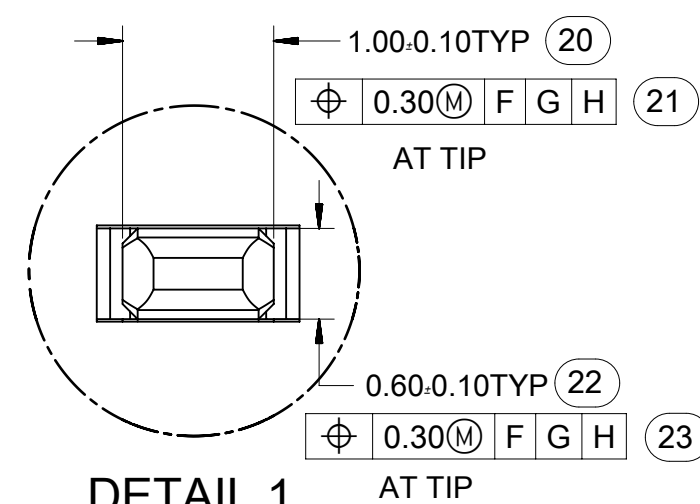
SECTION Z-Z



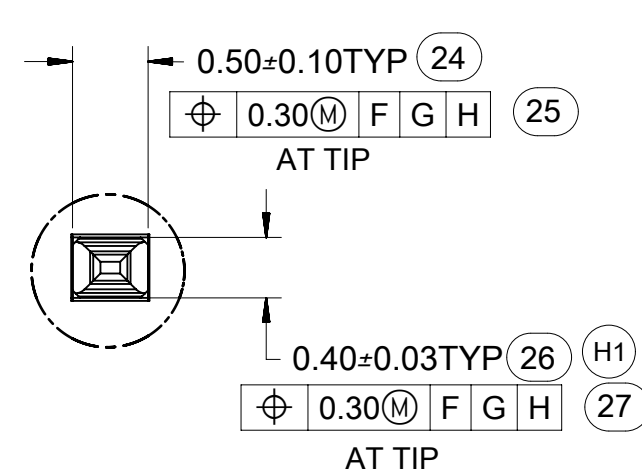
SECTION Y-Y



SECTION W-W



DETAIL 1
SCALE 20:1



DETAIL 2
SCALE 20:1

DIN 16901	CODE LETTER	NOMINAL DIMENSION RANGE														
		OVER UP TO	0	1	3	6	10	15	22	30	40	53	70	90	120	160
PRECISION ENGINEERING	A		±0.10	±0.12	±0.14	±0.16	±0.20	±0.22	±0.24	±0.26	±0.28	±0.31	±0.35	±0.40	±0.50	
	B		±0.05	±0.06	±0.07	±0.08	±0.10	±0.12	±0.14	±0.16	±0.18	±0.21	±0.25	±0.30	±0.40	

A: FOR NON-MOLD RELATED DIMENSIONS (ACROSS PARTING LINE)
B: FOR MOLD RELATED DIMENSIONS (WITHIN MOLD COMPONENTS)

SYMBOLS	THIS DRAWING CONTAINS INFORMATION THAT IS PROPRIETARY TO MOLEX ELECTRONIC TECHNOLOGIES, LLC AND SHOULD NOT BE USED WITHOUT WRITTEN PERMISSION		CURRENT REV DESC:						
▽ = 0	DIMENSION UNITS	SCALE	CURRENT REV DESC:						
▽ = 0	mm	1:1	CURRENT REV DESC:						
▽ = 0	GENERAL TOLERANCES (UNLESS SPECIFIED)		EC NO: 609559						
▽ = 0	ANGULAR TOL ± 1.0°		DRWN: SWU31 2018/10/24						
▽ = 0	4 PLACES ±		CHK'D: CDZHANG 2018/12/31						
▽ = 0	3 PLACES ±		APPR: CDZHANG 2018/12/31						
▽ = 0	2 PLACES ±		INITIAL REVISION:						
▽ = 0	1 PLACE ±		DRWN: JFISCHER01 2012/11/21						
▽ = 0	0 PLACES ±		APPR: KDEKOSKI 2012/12/21						
▽ = 0	DRAFT WHERE APPLICABLE MUST REMAIN WITHIN DIMENSIONS		THIRD ANGLE PROJECTION	DRAWING	SERIES	DOCUMENT NUMBER	DOC TYPE	DOC PART	REVISION
				D-SIZE	34961	SD-34961-030	PSD	001	H1
						MATERIAL NUMBER		CUSTOMER	SHEET NUMBER
								GENERAL MARKET	3 OF 4

molex

34 & 38 CKT MINI50
RIGHT ANGLE HEADER ASSEMBLY SALES DRAWING

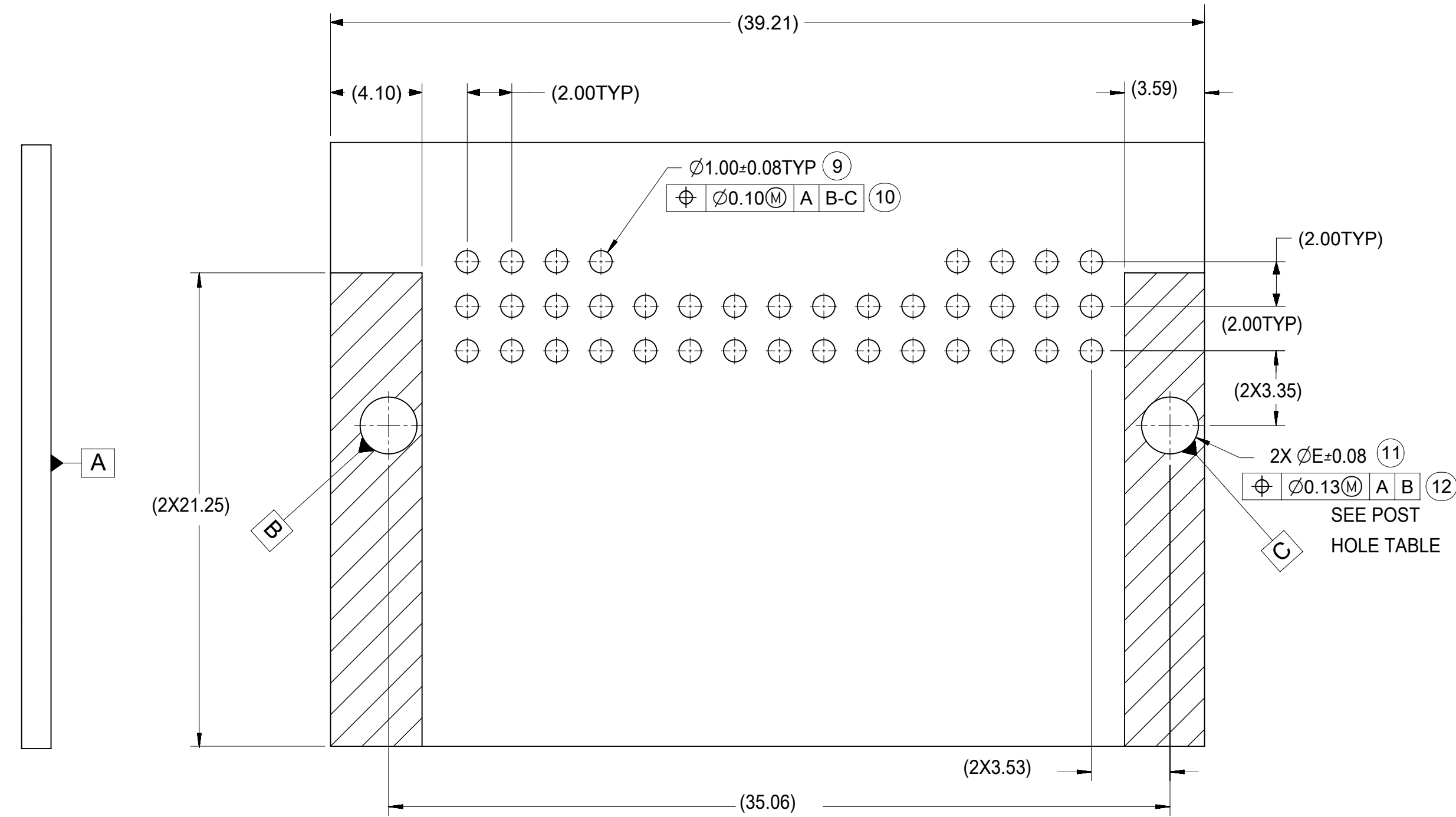
PRODUCT CUSTOMER DRAWING

DOCUMENT NUMBER DOC TYPE DOC PART REVISION

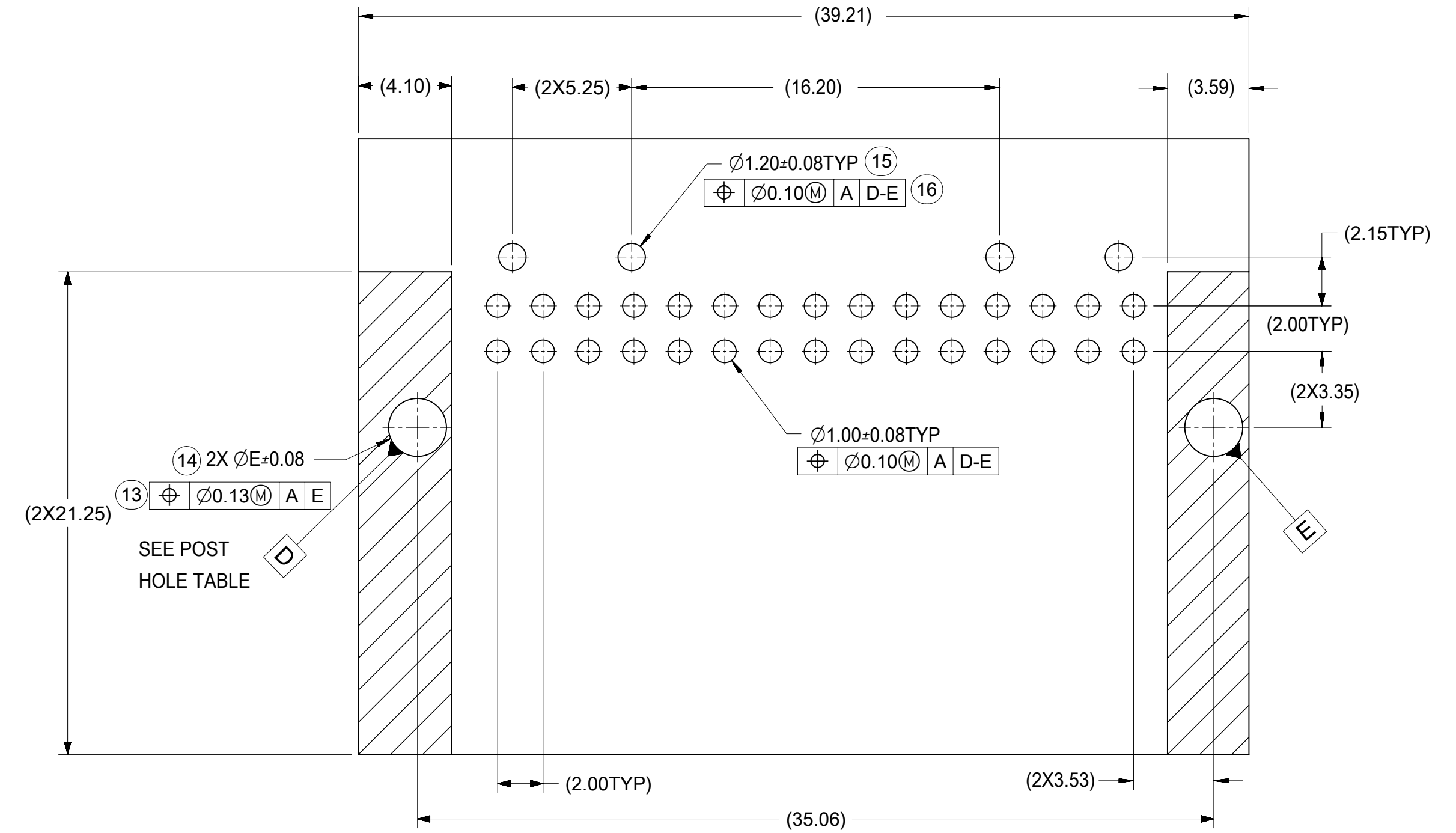
SD-34961-030 PSD 001 H1

MATERIAL NUMBER CUSTOMER SHEET NUMBER

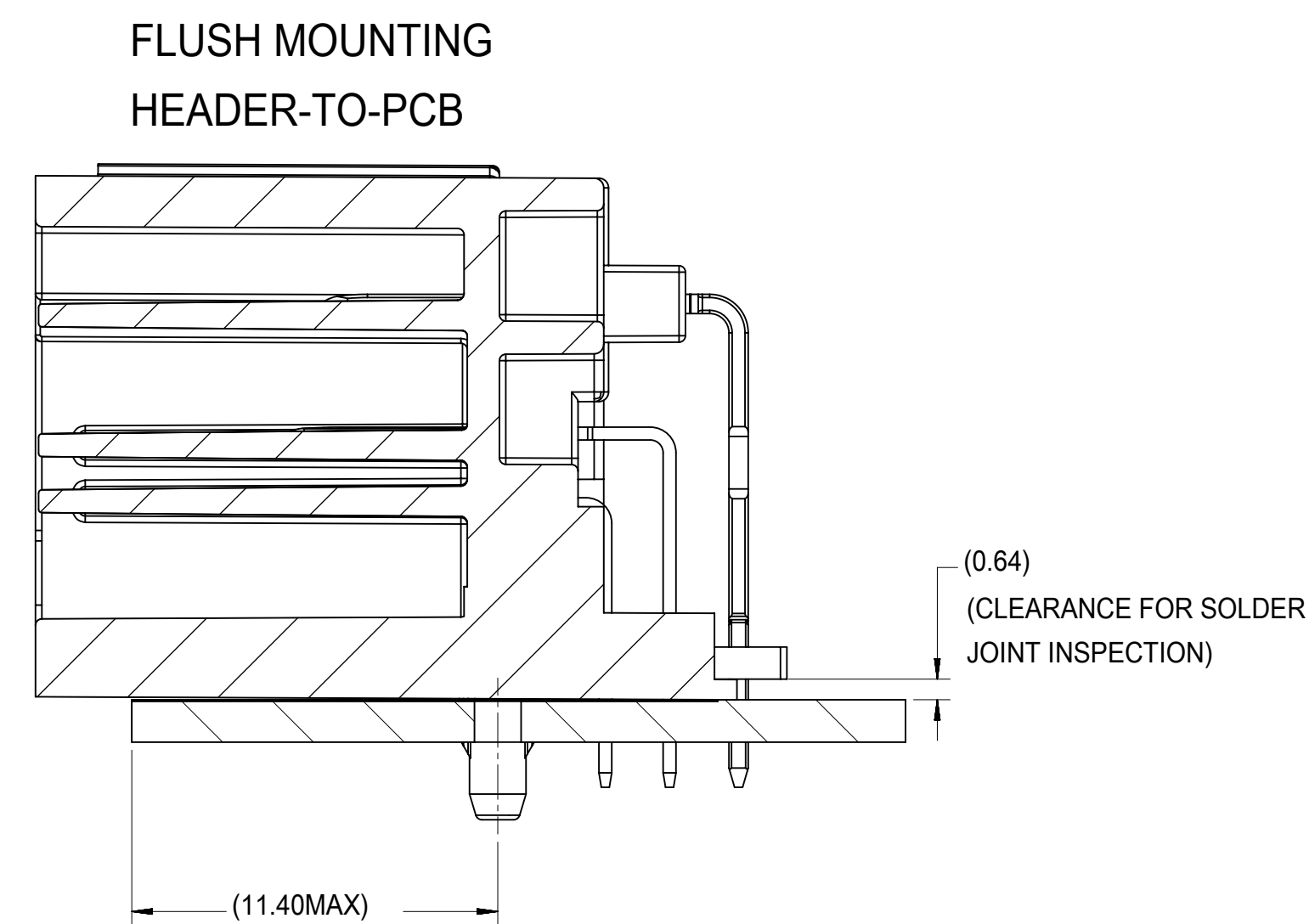
GENERAL MARKET 3 OF 4



REFERENCE 38WAY PCB LAYOUT



REFERENCE 34WAY PCB LAYOUT



POST HOLE TABLE:

FOR DIM E:	
PRESS FIT:	2.15
DROP IN:	2.55

SYMBOLS	THIS DRAWING CONTAINS INFORMATION THAT IS PROPRIETARY TO MOLEX ELECTRONIC TECHNOLOGIES, LLC AND SHOULD NOT BE USED WITHOUT WRITTEN PERMISSION		CURRENT REV DESC:		
	DIMENSION UNITS	SCALE			
▽ = 0	mm	1:1			34 & 38 CKT MINI50 RIGHT ANGLE HEADER ASSEMBLY SALES DRAWING
▽ = 0	GENERAL TOLERANCES (UNLESS SPECIFIED)				
▽ = 0	ANGULAR TOL ± 1.0°		EC NO: 609559		PRODUCT CUSTOMER DRAWING DOCUMENT NUMBER: SD-34961-030 DOC TYPE: PSD DOC PART: 001 REVISION: H1
▽ = 0	4 PLACES ±		DRWN: SWU31 2018/10/24		
▽ = 0	3 PLACES ±		CHK'D: CDZHANG 2018/12/31		
▽ = 0	2 PLACES ±		APPR: CDZHANG 2018/12/31		
▽ = 0	1 PLACE ±		INITIAL REVISION:		
▽ = 0	0 PLACES ±		DRWN: JFISCHER01 2012/11/21		
▽ = 0	DRAFT WHERE APPLICABLE MUST REMAIN WITHIN DIMENSIONS		APPR: KDEKOSKI 2012/12/21		
▽ = 0	THIRD ANGLE PROJECTION	DRAWING	SERIES	MATERIAL NUMBER	CUSTOMER
		D-SIZE	34961		GENERAL MARKET
					SHEET NUMBER: 4 OF 4