

TABLE OF CONTENTS	
SHEET NO.	SHEET DESCRIPTION
1	NOTES AND BOM
2	CONFIGURATIONS
3	BLADE CAVITY PLUG DETAIL
4	RECEPTACLE CAVITY PLUG DETAIL

BILL OF MATERIALS (BOM)				
DESCRIPTION	PART NUMBER	COLOR	STATUS	MATERIAL
MX150 BLADE, NATURAL	34345-0001	NATURAL	SALEABLE	PBT
MX150 BLADE, BLACK	34345-0002	BLACK	PLANNED OBSOLESCENCE	PBT
MX150 BLADE EXTENDED	34345-0003	BLACK	SALEABLE	PBT
MX150 RECEPTACLE	34345-4001	STONE GRAY	SALEABLE	SPS PA66

NOTES: VALID UNLESS OTHERWISE SPECIFIED

1. GENERAL:

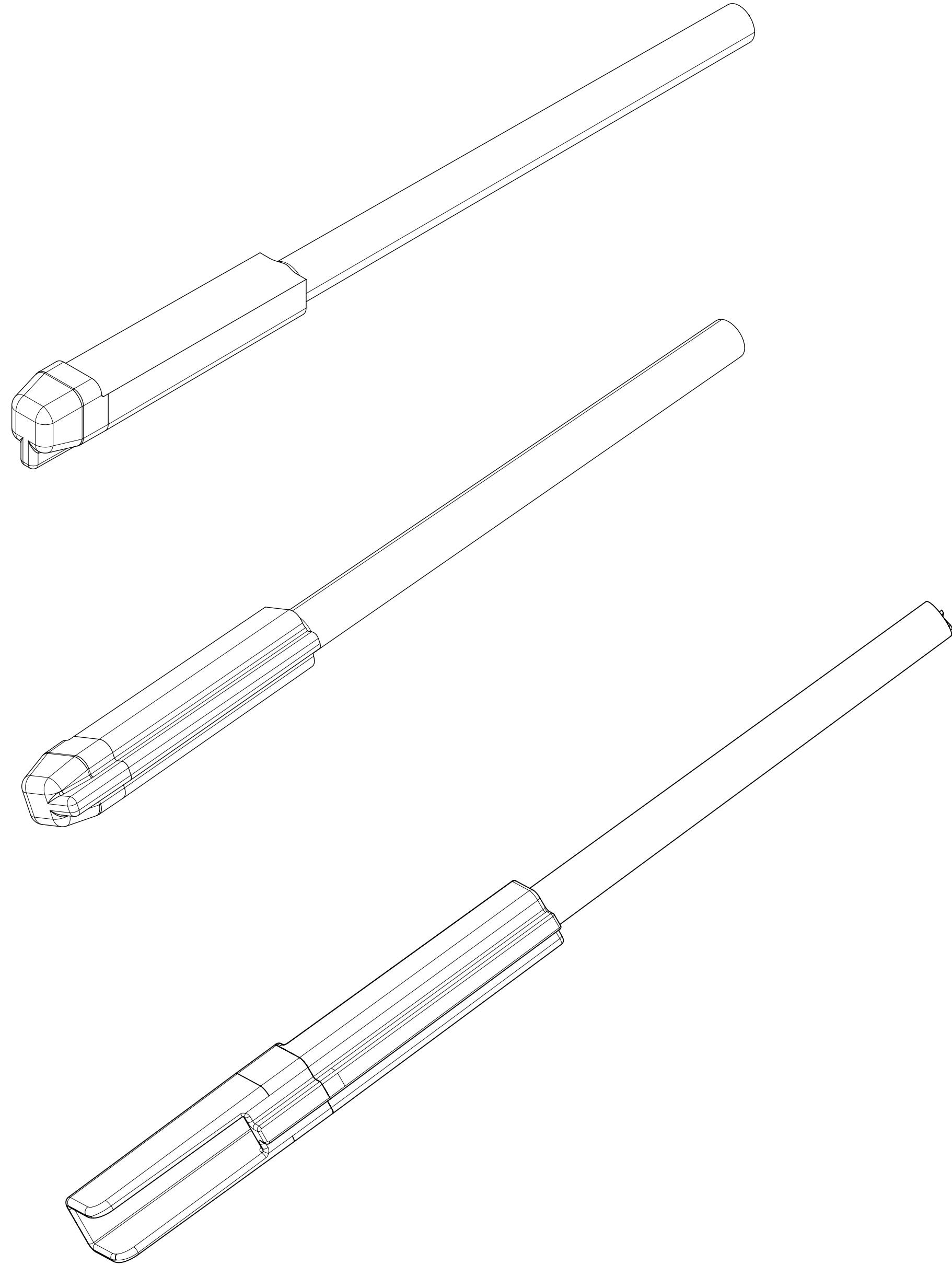
- a. APPLICATION SPECIFICATION SEE: AS-33472-100
 - COMPONENTS ARE OPTIONAL AND MUST BE PURCHASED SEPERATELY
 - FOR ASSEMBLY INSTRUCTIONS SEE THE APPLICATION SPECIFICATION
 - SEAL PLUGS ARE NOT TO BE USED TO REPLACE SHORTING BAR TERMINALS.
- b. PRODUCT SPECIFICATION SEE: N/A
- c. PACKAGING SPECIFICATION PER MOLEX DRAWING: PK-31300-438
- d. PARTS MUST BE IN COMPLIANCE TO MOLEX CHEMICAL SUBSTANCES FOR PRODUCTS AND PACKAGING SPECIFICATION: QEHS-699000-300
- e. DATA MUST BE SUBMITTED UNDER THE MOLEX PART NUMBER TO IMDS (COMPANY ID#13255)

2. DESIGN - MATERIALS:

- a. MATERIAL: SEE TABLE

3. DESIGN - GEOMETRY:

- a. ALL GRAPHIC DATA IS BASIC (NO TOLERANCE) AND MUST BE TAKEN FROM THE DATA FILE AT ITS LATEST REVISION.
- b. GEOMETRIC DIMENSIONS AND TOLERANCES PER ASME Y14.5M - 2009
- c. THE BASIC DIMENSIONS OF THE COMPONENT ARE DEFINED BY THE 3-D CAD DATA. THE CAD MATHEMATICAL DATA IS THE MASTER FOR ALL FEATURES AND IS TO BE USED TO ESTABLISH DIMENSIONAL INFORMATION NOT SHOWN ON THIS DRAWING.
- d. GENERAL TOLERANCES: SEE TITLE BLOCK
- e. EDGES AND UNDIMENSIONED DETAILS PER ISO13715
- f. CORNERS SHOWN AS SHARP TO BE R 0.2 MAX.
- g. LETTERING SHALL BE 0.15 MAX RAISED.
- h. FOR BLADE INSERTION DEPTH FOR RCPT CAVITY PLUG REFER SHEET 4



BALLOON NUMBERS	
REMOVED: 6	

D6	UPDATED RCPT CAVITY PLUG COLOR
D5	ADDED RCPT PLUG MAX. BLADE INSERTION DEPTH
D4	UPDATED BOM P/N DESCRIPTION
D3	UPDATED DIM 20 TOLERANCE
D2	RCPT CAV PLUG DIMS REMOVED
D1	CHANGE PARTS STATUS TO SALEABLE
D	ADDITION OF RECEPTACLE CAVITY PLUG DETAILS
C6	NX RE-MASTERING
REV	DESCRIPTION

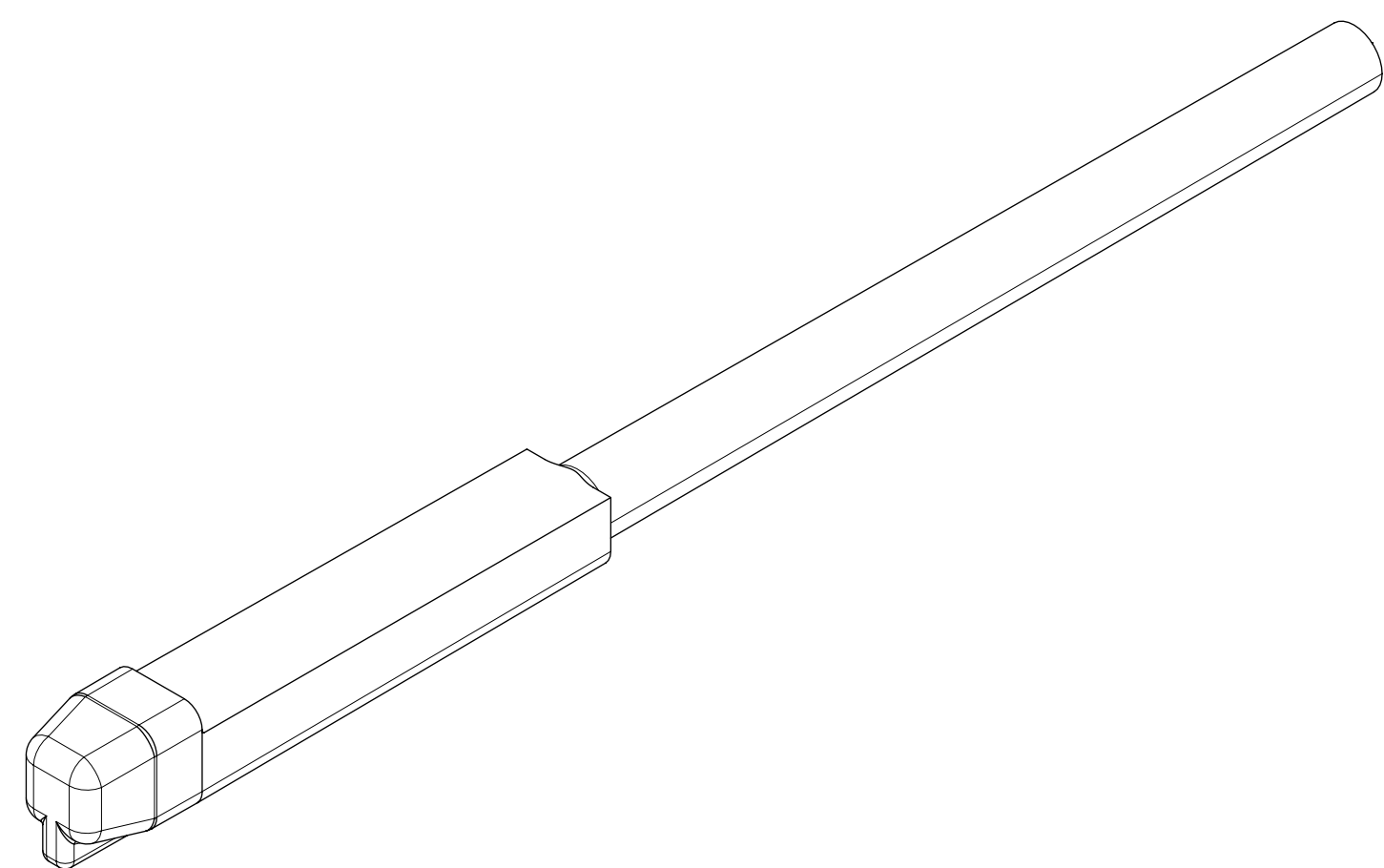
THIS DRAWING CONTAINS INFORMATION THAT IS PROPRIETARY TO MOLEX ELECTRONIC TECHNOLOGIES, LLC AND SHOULD NOT BE USED WITHOUT WRITTEN PERMISSION

EC NO: 681113 DRWN: PPALLAN CHKD: KBORUSZEWSKI REV: APPR: KBORUSZEWSKI	2021/10/12	GENERAL TOLERANCES (UNLESS SPECIFIED)	DIMENSION UNITS	SCALE	
	2021/10/14	ANGULAR TOL ± 3.0 °	MM ONLY	7:1	
	2021/10/14	4 PLACES ±	DRWN BY	DATE	
		3 PLACES ±	MVANSLAM	10/27/05	
	2 PLACES ± 0.1	CHKD BY	DATE		
	1 PLACE ± 0.3	ABUTCHER	10/27/05		
	0 PLACES ±	APPR BY	DATE		
		SMARCEAU	10/27/05		
	DRAFT WHERE APPLICABLE MUST REMAIN WITHIN DIMENSIONS	DRAWING SIZE	THIRD ANGLE PROJECTION		
		D			
D6		SERIES		CUSTOMER	
		34345		GENERAL MARKET	
		MATERIAL NUMBER		DOC PART	
		SEE BOM		000	
		DOCUMENT NUMBER		SHEET NUMBER	
		SD-34345-001		1 OF 4	
		DOC TYPE			
		PSD			

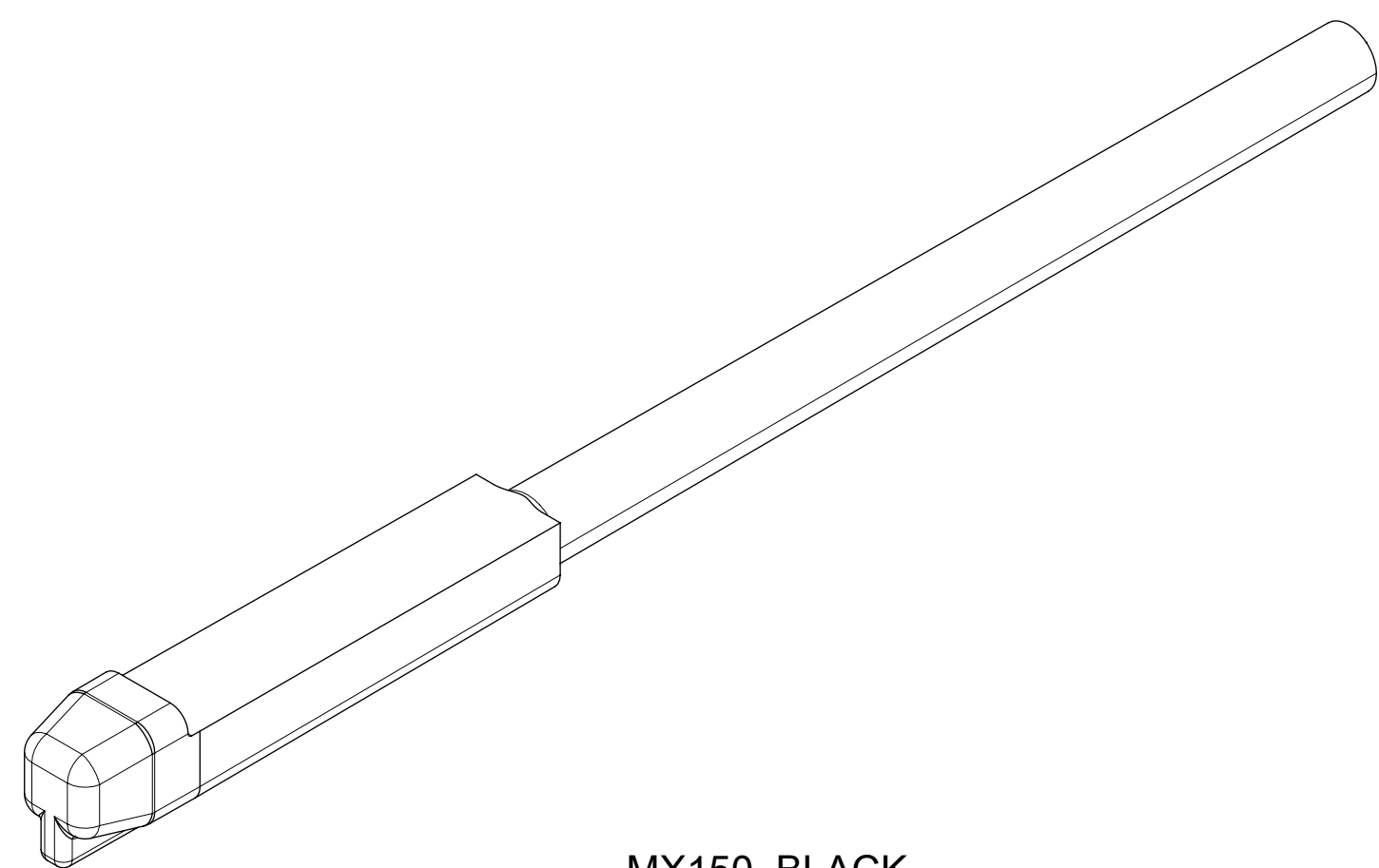
RELEASE STATUS	RELEASE DATE

SHEET DESCRIPTION

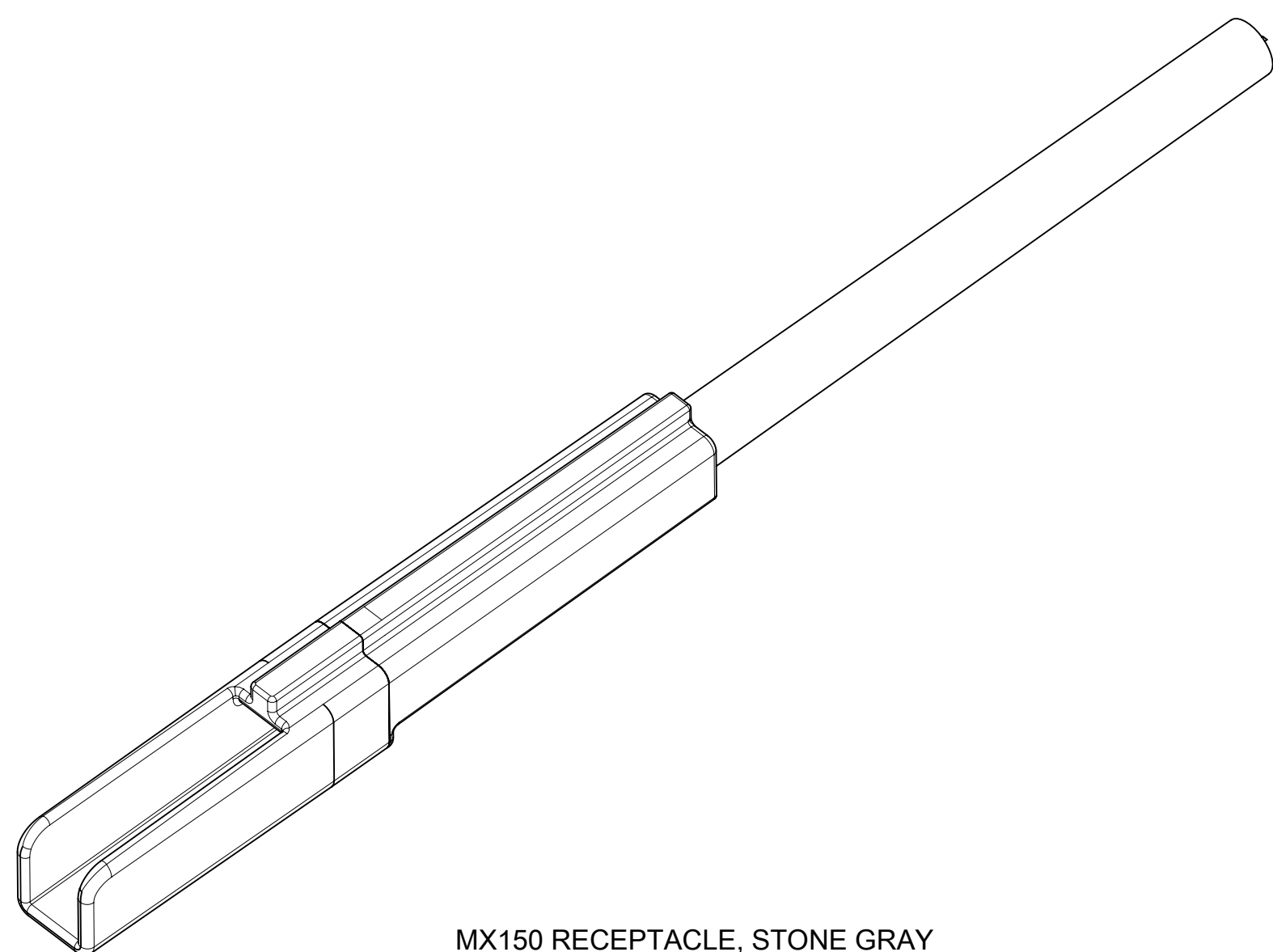
CONFIGURATIONS



MX150, NATURAL



MX150, BLACK

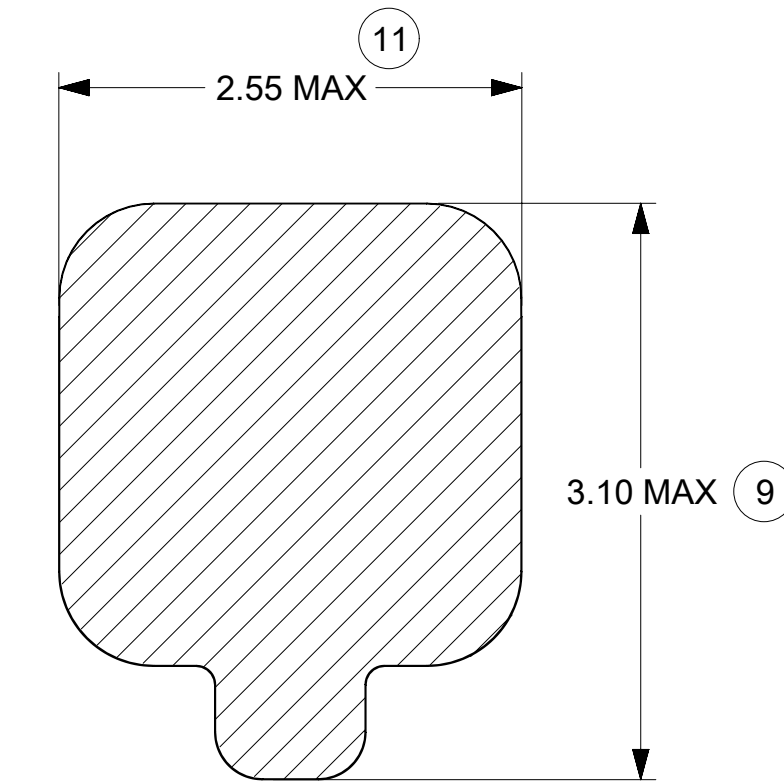
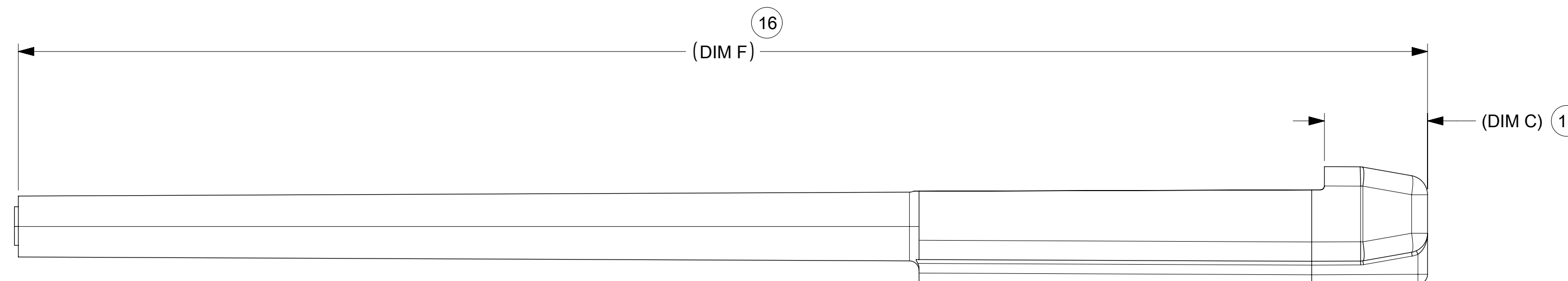
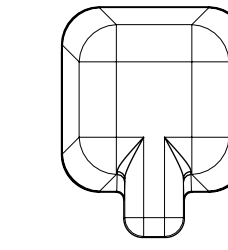
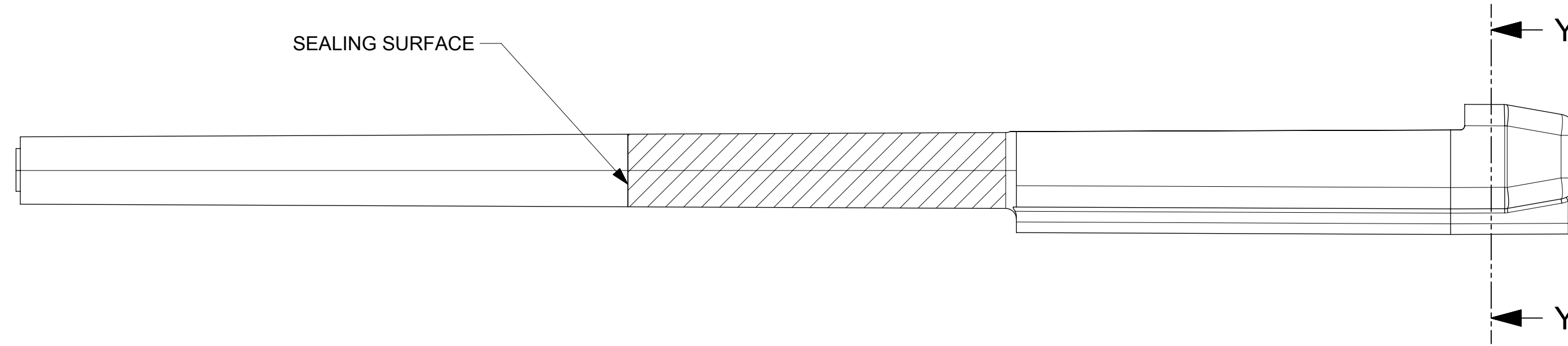
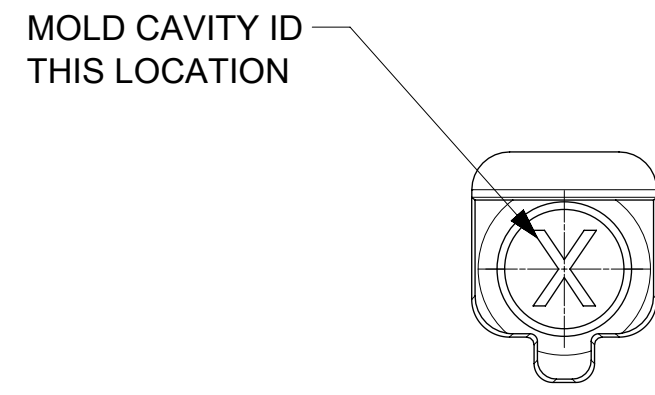


MX150 RECEPTACLE, STONE GRAY

THIS DRAWING CONTAINS INFORMATION THAT IS PROPRIETARY TO MOLEX ELECTRONIC TECHNOLOGIES, LLC AND SHOULD NOT BE USED WITHOUT WRITTEN PERMISSION

EC NO: 681113 DRWN: PPALLAN CHKD: KBORUSZEWSKI REV: APPR: KBORUSZEWSKI	2021/10/12	GENERAL TOLERANCES (UNLESS SPECIFIED)	DIMENSION UNITS	SCALE				
	2021/10/14	ANGULAR TOL ± 3.0 °	MM ONLY	7:1				
	2021/10/14	4 PLACES ±	DRWN BY	DATE	MX150 CAVITY PLUG SEALED			
		3 PLACES ±	MVANSLAM	10/27/05				
		2 PLACES ± 0.1	CHKD BY	DATE	PRODUCT CUSTOMER DRAWING			
		1 PLACE ± 0.3	ABUTCHER	10/27/05				
		0 PLACES ±	APPR BY	DATE	SERIES: 34345 MATERIAL NUMBER: SEE BOM CUSTOMER: GENERAL MARKET			
		DRAFT WHERE APPLICABLE MUST REMAIN WITHIN DIMENSIONS	SMARCEAU	10/27/05				
			DRAWING SIZE	THIRD ANGLE PROJECTION	DOCUMENT NUMBER: SD-34345-001 DOC TYPE: PSD DOC PART: 000 SHEET NUMBER: 2 OF 4			
			D					

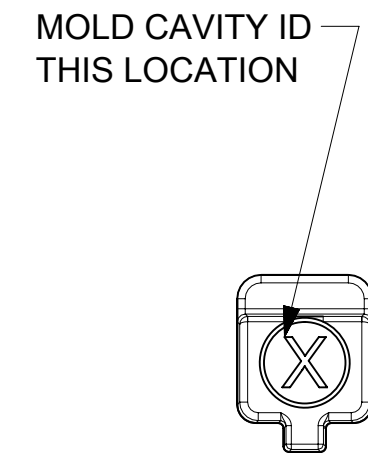
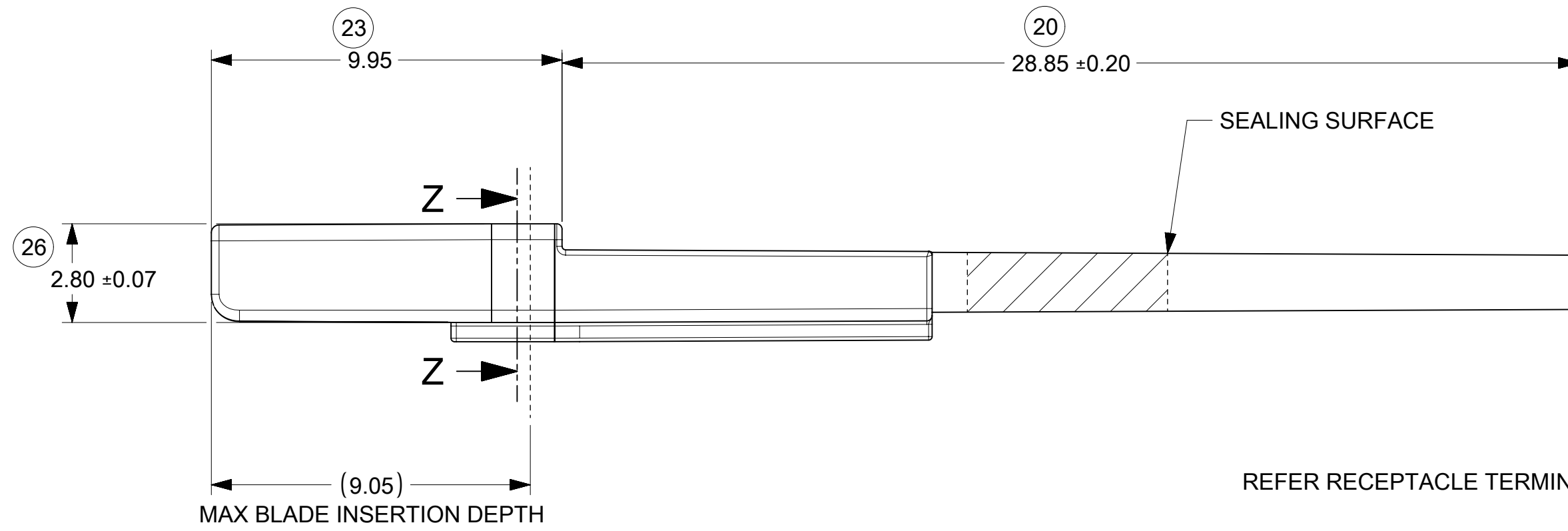
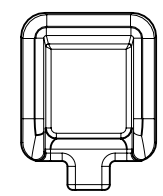
CHARTED DIMENSIONS		
DESCRIPTION	DIMENSIONS	
	C	F
MX150, NATURAL	3	36.8
MX150, BLACK	2.67	36.8
MX150 BLADE EXTENDED	2.67	40.8



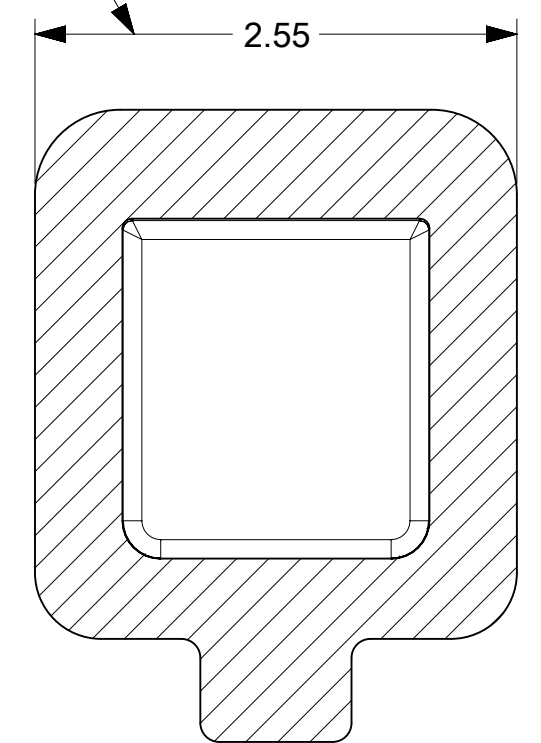
SECTION Y-Y
SCALE 25:1

THIS DRAWING CONTAINS INFORMATION THAT IS PROPRIETARY TO MOLEX ELECTRONIC TECHNOLOGIES, LLC AND SHOULD NOT BE USED WITHOUT WRITTEN PERMISSION

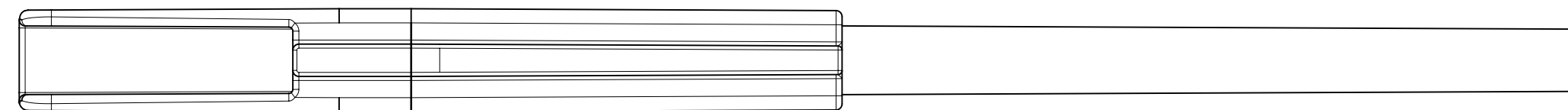
EC NO: 681113 DRWN: PPALLAN CHKD: KBORUSZEWSKI REV APPR: KBORUSZEWSKI	2021/10/12	GENERAL TOLERANCES (UNLESS SPECIFIED)	DIMENSION UNITS	SCALE		
	2021/10/14	ANGULAR TOL ± 3.0 °	MM ONLY	10:1		
	2021/10/14	4 PLACES ±	DRWN BY	DATE		
		3 PLACES ±	MVANSLAM	10/27/05		
		2 PLACES ± 0.1	CHKD BY	DATE		
		1 PLACE ± 0.3	ABUTCHER	10/27/05		
		0 PLACES ±	APPR BY	DATE		
		DRAFT WHERE APPLICABLE MUST REMAIN WITHIN DIMENSIONS	SMARCEAU	10/27/05		
			DRAWING SIZE	THIRD ANGLE PROJECTION		
			D			
D6		SERIES	MATERIAL NUMBER	CUSTOMER	PRODUCT CUSTOMER DRAWING MX150 CAVITY PLUG SEALED	
RELEASE STATUS		34345		SEE BOM		GENERAL MARKET
RELEASE DATE		DOCUMENT NUMBER SD-34345-001		DOC TYPE PSD		DOC PART SHEET NUMBER 000 3 OF 4



REFER RECEPTACLE TERMINAL DRAWING



SECTION Z-Z



THIS DRAWING CONTAINS INFORMATION THAT IS PROPRIETARY TO MOLEX ELECTRONIC TECHNOLOGIES, LLC AND SHOULD NOT BE USED WITHOUT WRITTEN PERMISSION

DIMENSION UNITS		SCALE	CURRENT REV DESC:			molex		
mm								
GENERAL TOLERANCES (UNLESS SPECIFIED)			EC NO: 681113			MX150 CAVITY PLUG SEALED		
ANGULAR TOL ± 3.0°			DRWN: PPALLAN 2021/10/12					
4 PLACES ±			CHK'D: KBORUSZEWSKI 2021/10/14			PRODUCT CUSTOMER DRAWING		
3 PLACES ±			APPR: KBORUSZEWSKI 2021/10/14					
2 PLACES ± 0.1			INITIAL REVISION:			DOCUMENT NUMBER		
1 PLACE ± 0.3			DRWN: MVANSLAMBROU 2005/12/01			SD-34345-001		
0 PLACES ±			APPR: SMARCEAU 2005/12/01			DOC TYPE DOC PART REVISION		
DRAFT WHERE APPLICABLE MUST REMAIN WITHIN DIMENSIONS			THIRD ANGLE PROJECTION		DRAWING	SERIES	MATERIAL NUMBER	
					C-SIZE	34345	CUSTOMER	
							GENERAL MARKET	
							SHEET NUMBER	
							4 OF 4	

DOCUMENT STATUS	P1	RELEASE DATE	2021/10/14	22:51:38
-----------------	----	--------------	------------	----------