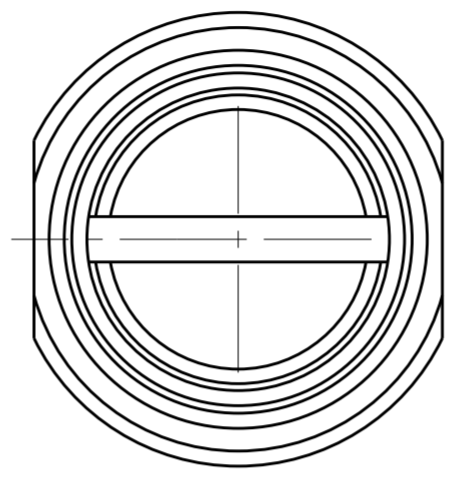
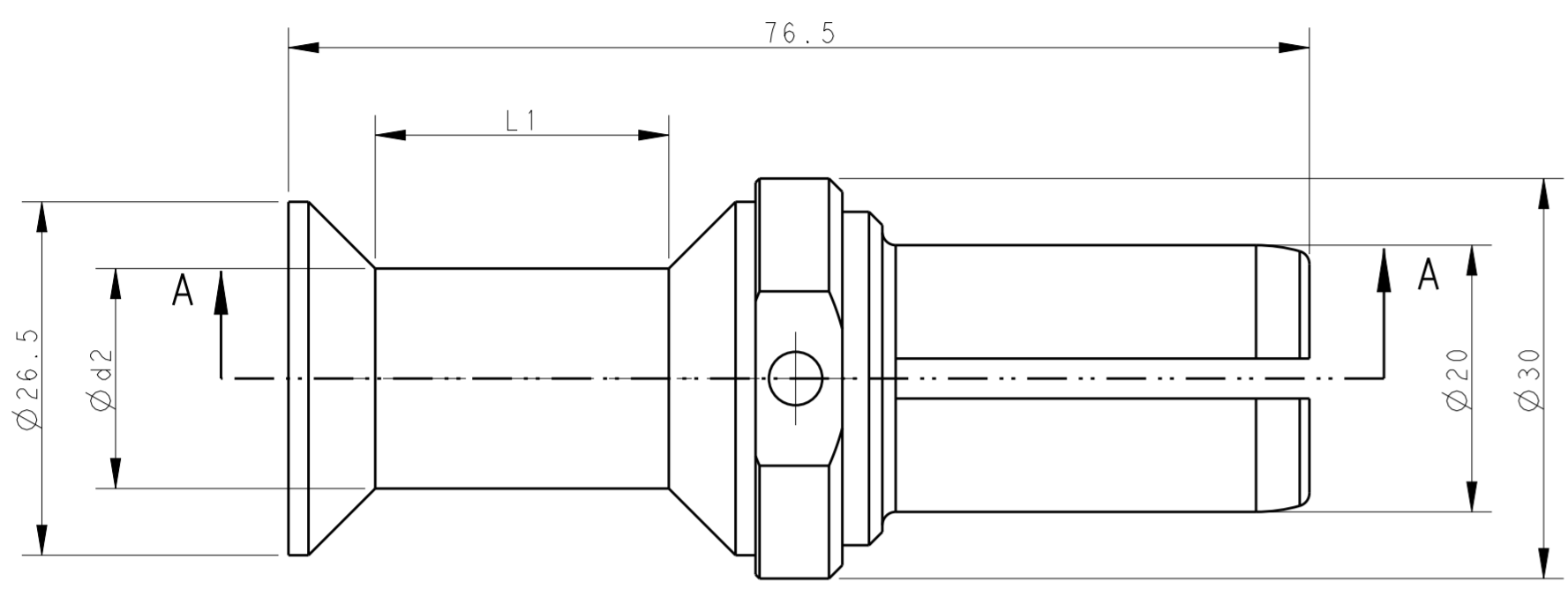


THIS DRAWING IS UNPUBLISHED. RELEASED FOR PUBLICATION 20
 © COPYRIGHT 20 BY - ALL RIGHTS RESERVED.

REVISIONS					
P	LTR	DESCRIPTION	DATE	DWN	APVD
	A	INITIAL	08FEB2018	GY	CW
	A1	ECR-20-007651	29MAY2020	GY	CW

TYPE 1: FOR WIRE GAUGE 70-185mm²
 类型 1: 适用于夹线范围 70-185mm²

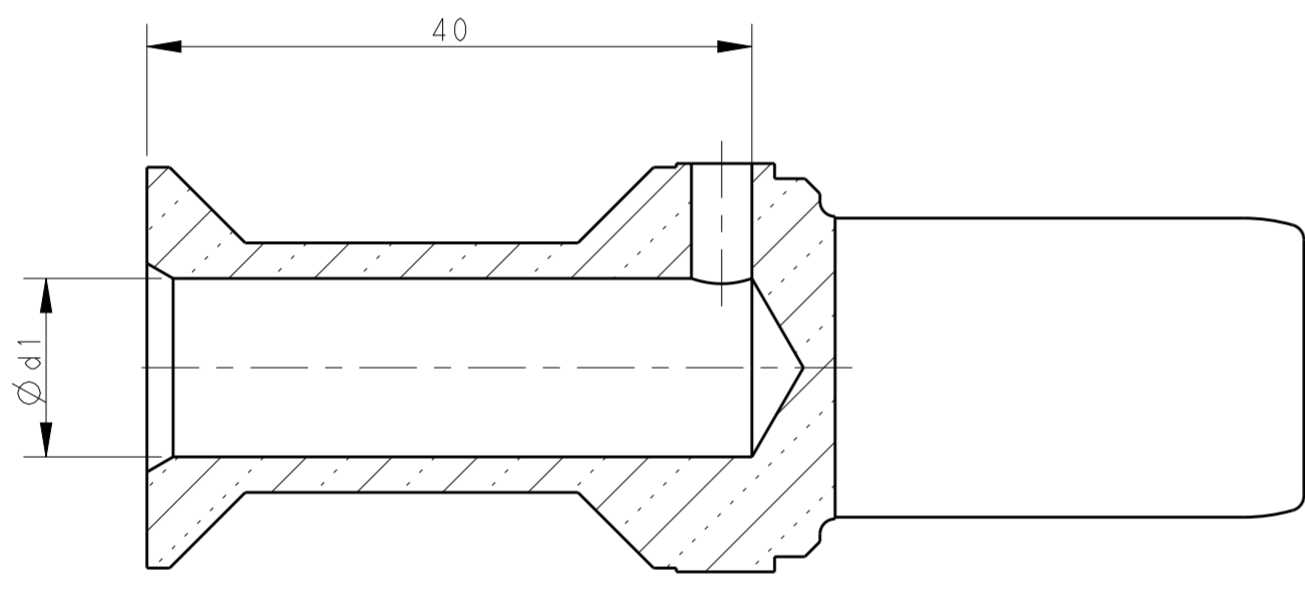


NOTES:

- TECHNICAL CHARACTERISTICS:
 CONTACT MATERIAL: COPPER
 SURFACE PLATING: SILVER PLATING >= 5µm
 CONTACT RESISTANCE: <=0.3mΩ
 WIRE RANGE: 70-240mm²

注释:

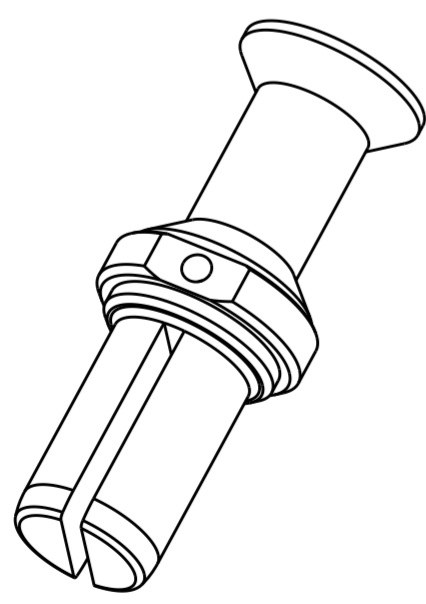
- 技术参数:
 针件材料: 纯铜
 表面电镀: 镀银 >= 5µm
 接触电阻: <=0.3 mΩ
 接线范围: 70-240mm²



SECTION A-A

CRIMP DIRECTION / 压接指导

PART NUMBER 料号	L2	L3	Number of crimps X 压接数 X
T2196501070-001	10	25	1
T2196501095-001	9	26	1
T2196501120-001	8	27	1
T2196501150-001	5	30	2
T2196501185-001	3	28	2



PART NUMBER 料号	PART DESCRIPTION 零件描述		Ød1	Ød2	L1	WIRE GAUGE 线规 (mm ²)	STRIPPING LENGTH 剥线长度 (mm)	TYPE 类型
T2196501070-001	HCM650-MC-70	HCM650 PIN CONTACT, CRIMP, 70mm ² , COPPER WIHT SILVER PLATING HCM650 公针, 冷压, 70mm ² , 铜镀银	11.75	16.5	22	70	42	TYPE 1 类型 1
T2196501095-001	HCM650-MC-95	HCM650 PIN CONTACT, CRIMP, 95mm ² , COPPER WIHT SILVER PLATING HCM650 公针, 冷压, 95mm ² , 铜镀银	13.5	19	24.5	95	42	
T2196501120-001	HCM650-MC-120	HCM650 PIN CONTACT, CRIMP, 120mm ² , COPPER WIHT SILVER PLATING HCM650 公针, 冷压, 120mm ² , 铜镀银	15.5	21	26.5	120	42	
T2196501150-001	HCM650-MC-150	HCM650 PIN CONTACT, CRIMP, 150mm ² , COPPER WIHT SILVER PLATING HCM650 公针, 冷压, 150mm ² , 铜镀银	17	23.5	29	150	42	
T2196501185-001	HCM650-MC-185	HCM650 PIN CONTACT, CRIMP, 185mm ² , COPPER WIHT SILVER PLATING HCM650 公针, 冷压, 185mm ² , 铜镀银	19	25.5	31	185	42	

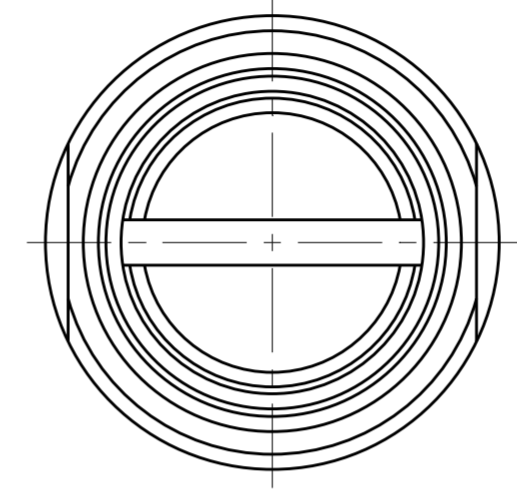
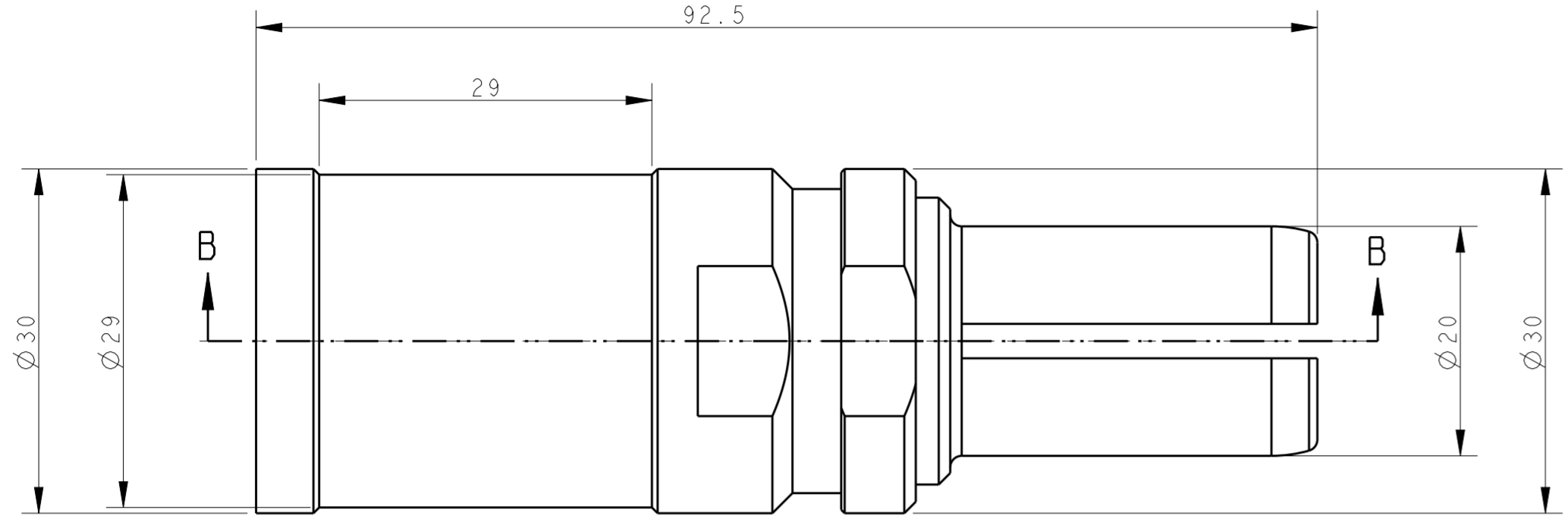
THIS DRAWING IS A CONTROLLED DOCUMENT.

DIMENSIONS: mm	TOLERANCES UNLESS OTHERWISE SPECIFIED: 0 PLC ± 1 PLC ± 2 PLC ± 3 PLC ± 4 PLC ± ANGLES ± FINISH	DWN GINO.YAO 30JAN2018 CHK CHRIS.WANG 30JAN2018 APVD CHRIS.WANG 30JAN2018	TE Connectivity	
MATERIAL		PRODUCT SPEC 108-137074 APPLICATION SPEC 114-137074	NAME HCM650 PIN CONTACT	
		WEIGHT	SIZE A2	CAGE CODE 00779
		CUSTOMER DRAWING	DRAWING NO. T2196501XXX00X	RESTRICTED TO
			SCALE 1:1	SHEET 1 OF 2 REV A1

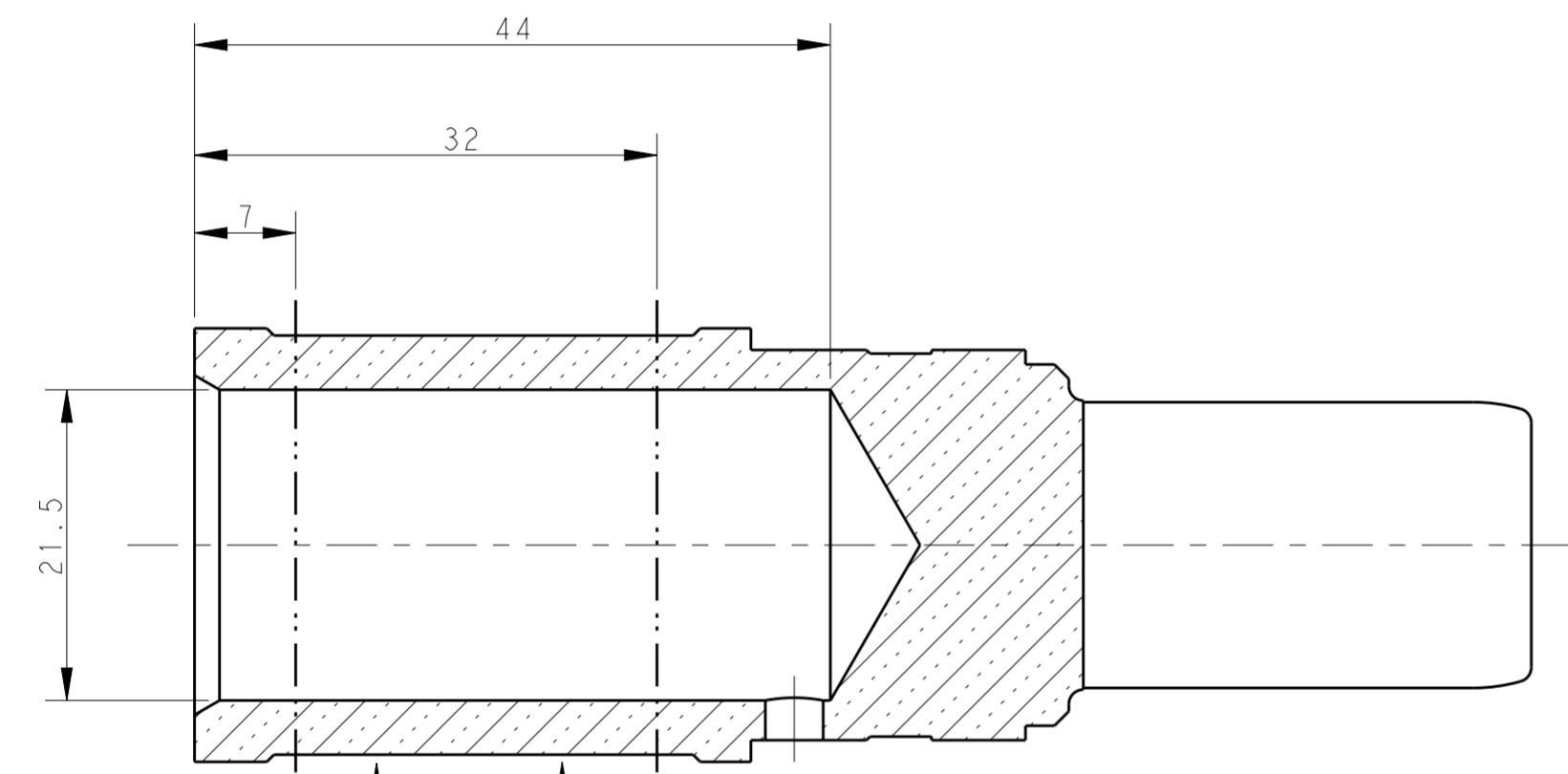
THIS DRAWING IS UNPUBLISHED. RELEASED FOR PUBLICATION 20
 © COPYRIGHT 20 BY - ALL RIGHTS RESERVED.

REVISIONS				
P	LTR	DESCRIPTION	DATE	APVD
		SEE SHEET 1		

TYPE II: FOR WIRE GAUGE 240mm², WITH HEAT-SHRINKABLE INSULATION TUBING
 类型 II: 适用于线规范围 240mm², 带热缩绝缘套管

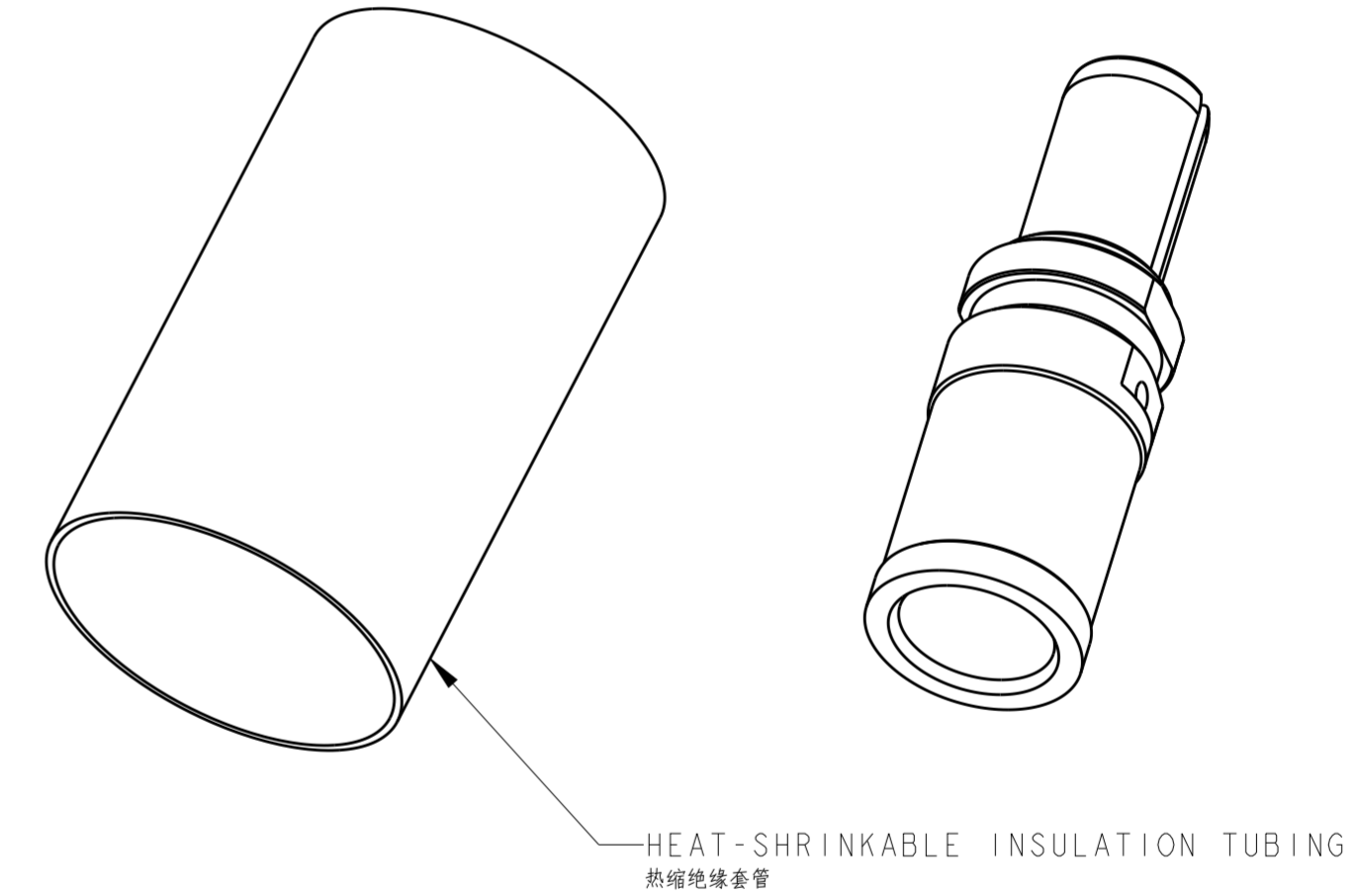


NOTES:
 SEE SHEET 1
 注释:
 见页面 1



1 2
 Crimp zone 压接区域
 Number of crimps/压接数

SECTION B-B



PART NUMBER 料号	PART DESCRIPTION 零件描述	∅ d1	∅ d2	L1	WIRE GAUGE 线规 (mm ²)	STRIPPING LENGTH 剥线长度 (mm)	TYPE 类型
Obsoleted PN T2196501240-101	HCM650-MC-240 HCM650 PIN CONTACT, CRIMP, 240mm ² , COPPER WITH SILVER PLATING, WITH HEAT-SHRINKABLE INSULATION TUBING HCM650 公针, 冷压, 240mm ² , 铜镀银, 带热缩绝缘套管	-	-	-	240	46	TYPE II 类型 II

THIS DRAWING IS A CONTROLLED DOCUMENT.

DWN GIMO.YAO 30 JAN 2018	TE Connectivity NAME HCM650 PIN CONTACT
CHK CHRIS.WANG 30 JAN 2018	
APVD CHRIS.WANG 30 JAN 2018	
PRODUCT SPEC 108-137074	
MATERIAL -	APPLICATION SPEC 114-137074
TOLERANCES UNLESS OTHERWISE SPECIFIED: 0 PLC ± 1 PLC ± 2 PLC ± 3 PLC ± 4 PLC ± ANGLES ± FINISH -	SIZE A200779
SCALE 1:1	DRAWING NO C-T2196501XXX00X
CUSTOMER DRAWING	RESTRICTED TO -
	SHEET 2 OF 2
	REV A1