

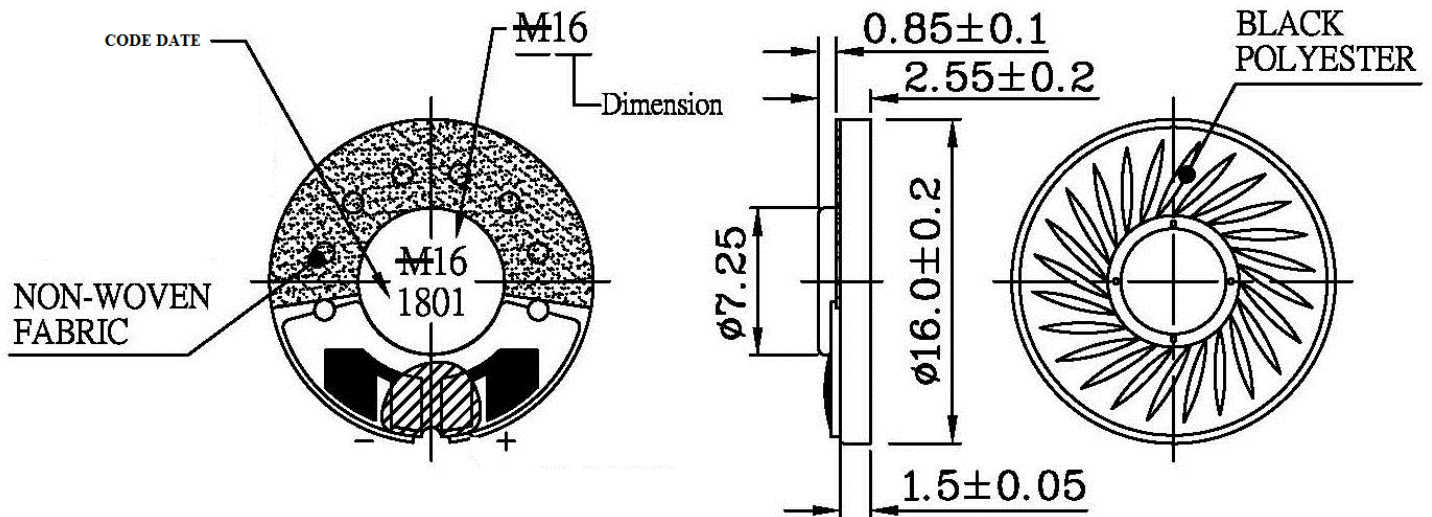
May not be suitable for all medical and aerospace applications.

Specifications: Contact Mallory Sonalert to discuss your application.

Impedance (Ω)	$8 \pm 15\%$ at 1000 Hz at 1.0 V
Rated Power (W)	0.3
Max Power (W)	0.5
Resonance Freq F_o (Hz)	$600 \pm 20\%$ at 1.0 V
Frequency Range (Hz)	$F_o \sim 20000$
Output S.P.L. (dB)	84 ± 3 at .3w/.1m 1.0k, 1.2k, 1.5k, 2.0kHz 69 ± 3 at 1w/1m 1.0k, 1.2k, 1.5k, 2.0kHz
Frame Material	Metal
Operating Temp	-20 to 55°C
Weight (g)	1.5
Options	For other options contact factory

Dimensions: ± 0.5 (units: mm)

ROHS Compliant



The mylar won't exceed the metal frame when input 0.3W.