



2.75W Compact Fixed Blade Charger with DC Cord



Features

- North America Fixed Blade AC Input
- CC & CV control
- Level VI Efficiency
- Class 2 Output per UL1310
- Limited Power Source
- Class B EMI
- No Y Caps
- Standard Barrel Connector or Micro-B

Applications

- MPEG Players
- PDAs
- Medical Test Device Charging
- Personal Electronics
- Digital Cameras
- Cordless Tools

Safety Approvals

- cUL/UL

Mechanical Characteristics

- Length: 39.4mm (1.65in)
- Width: 43mm (1.65in)
- Height: 21.0mm (0.87in)
- Weight: 45g (1.59oz)

Output Specifications

Model	DC Output Voltage	Load		Ripple ¹ P-P (max)	Regulation	
		Min.	Max.		Line	Load
PSM03A-050-R	5V	0A	0.55A	100mV	±5%	
PSM03A-050(M)-R ²	5V	0A	0.55A	100mV	±5%	
PSM03A-075-R	7.5V	0A	0.366A	150mV	±5%	
PSM03A-090-R	9V	0A	0.305A	120mV	±5%	
PSM03A-120-R	12V	0A	0.229A	200mV	±5%	

Notes:

(1) Measured with by-pass capacitors 10uF electrolytic // 0.1uF ceramic capacitors across connector terminal with oscilloscope set at 20 MHz bandwidth

(2) This unit is terminated with Micro-B connector in place of standard DC cable.

Phihong is not responsible for any error, and reserves the right to make changes without notice. Please visit our website at www.phihong.com for the most up-to-date specifications and contact information.

INPUT:**AC Input Voltage Rating**

100 to 240VAC

AC Input Voltage Range

90 to 264VAC

AC Input Current

100mA (RMS) max.

Leakage Current

0.25mA maximum

No-Load Power Saving

0.01W maximum at 115VAC

OUTPUT:**Power**

2.75W Maximum

Efficiency

DOE Level VI

ENVIRONMENTAL:**Temperature**

Operation 0 to +40°C

Non-operation -25 to +75°C

Humidity 10 to 90%

Immunity

ESD: EN61000-4-2. Level 4

Surge: EN61000-4-5. Level 4

Harmonic: EN61000-3-2

Flicker: EN61000-3-3

EMI

Complies with FCC Class B

Complies with EN55032 Class B

Dielectric Withstand (Hi-pot) Test

Primary to Secondary: 3000VAC, 10mA for 60s

Insulation Resistance

Primary to Secondary: DC500V >7MΩ

FEATURES**Over-voltage Protection**

10V max. Auto restart

Short-circuit Protection

The output can be shorted without damage.

DC Cord

1500mm

DC Output Connector5.5mm x 2.1mm x 9.5 center positive barrel
(M) Model - Micro USB

Pin1: +5V

Pin2: Short

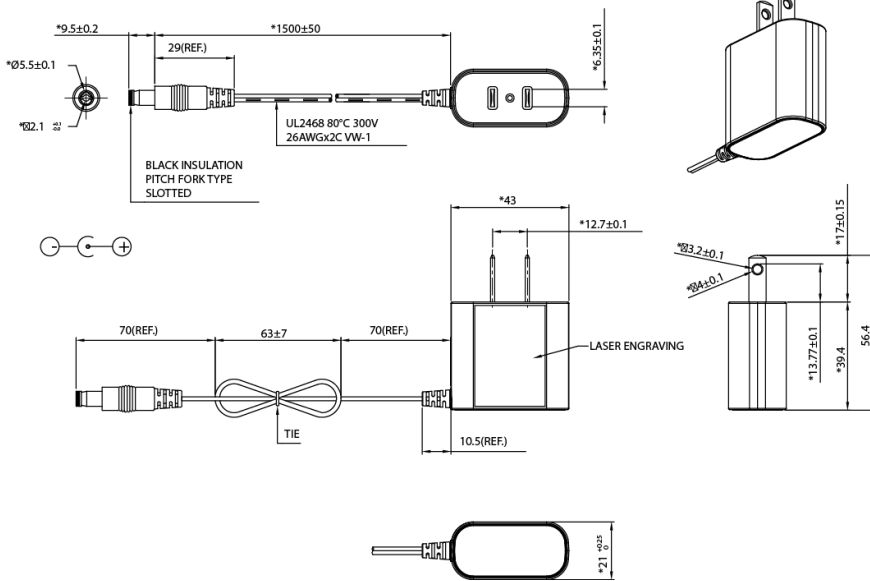
Pin3: Short

Pin4: N/C

Pin5: GND

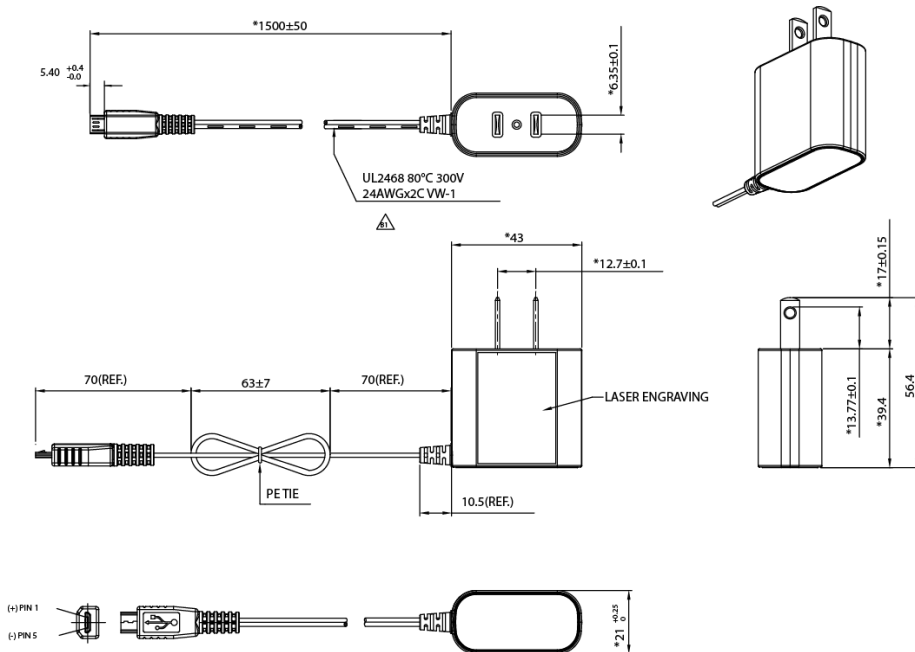
PSM03A-XXX-R

Dimension Diagram Unit: mm (inch)



PSM03A 050(M)-R

Dimension Diagram Unit: mm (inch)



Supplier's Declaration of Conformity
47 CFR § 2.1077 Compliance Information

Phihong USA Corporation
47800 Fremont Boulevard
Fremont, CA 94538
Telephone: (510) 445-0100
www.phihong.com

NOTE: This model has/The models in this products series have been tested and found to comply with the limits for a Class B digital device, pursuant to part 15 of the FCC Rules. These limits are designed to provide reasonable protection against harmful interference in a residential installation. This equipment generates, uses and can radiate radio frequency energy and, if not installed and used in accordance with the instructions, may cause harmful interference to radio communications. However, there is no guarantee that interference will not occur in a particular installation. If this equipment does cause harmful interference to radio or television reception, which can be determined by turning the equipment off and on, the user is encouraged to try to correct the interference by one or more of the following measures:

- Reorient or relocate the receiving antenna.
- Increase the separation between the equipment and receiver.
- Connect the equipment into an outlet on a circuit different from that to which the receiver is connected.
- Consult the dealer or an experienced radio/TV technician for help.

Changes or modifications to equipment not expressly approved by PHIHONG could void the user's authority to operate the equipment.