

Product Change Notice (PCN)

Date: 10/15/2019

PCN Number: PCN-0450216R-01

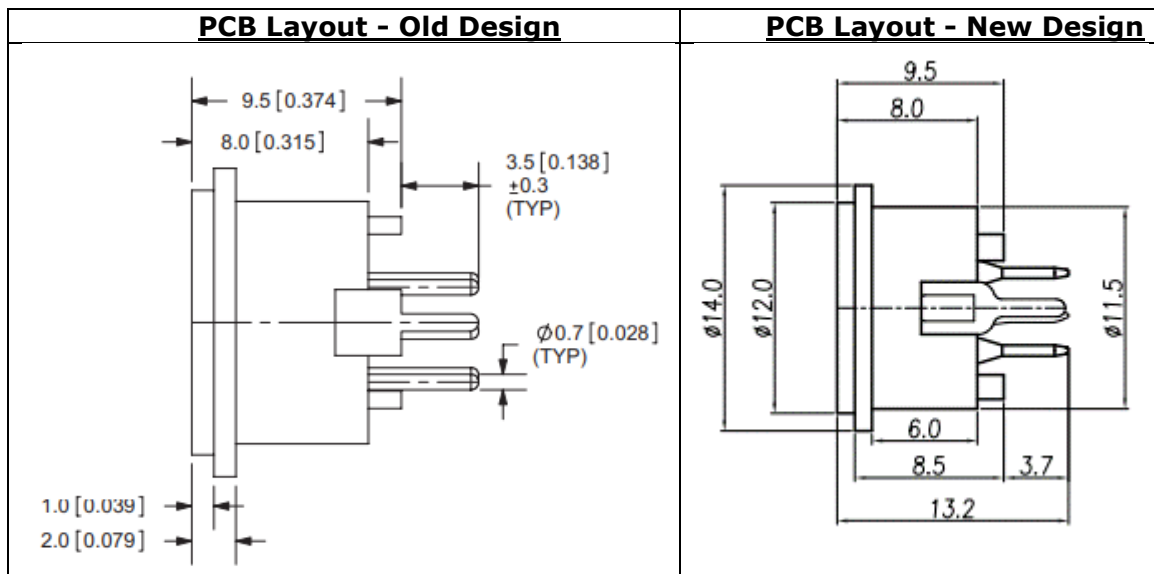
To Our Customers:

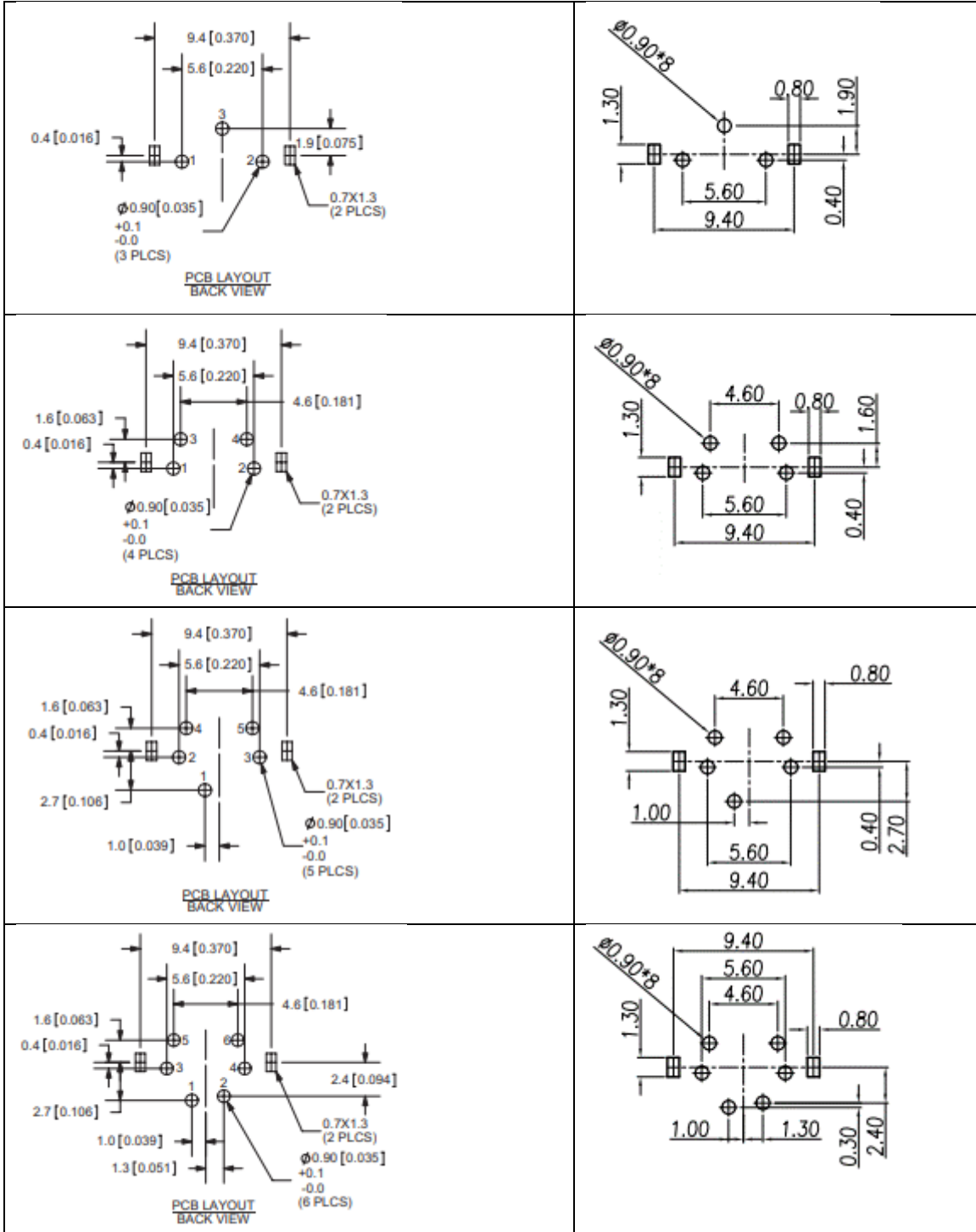
We appreciate your use of CUI Devices products. Our commitment in maintaining and improving processes is demonstrated by plans to enhance our product quality, reliability and manufacturability. The purpose of this notice is to inform you of a product change.

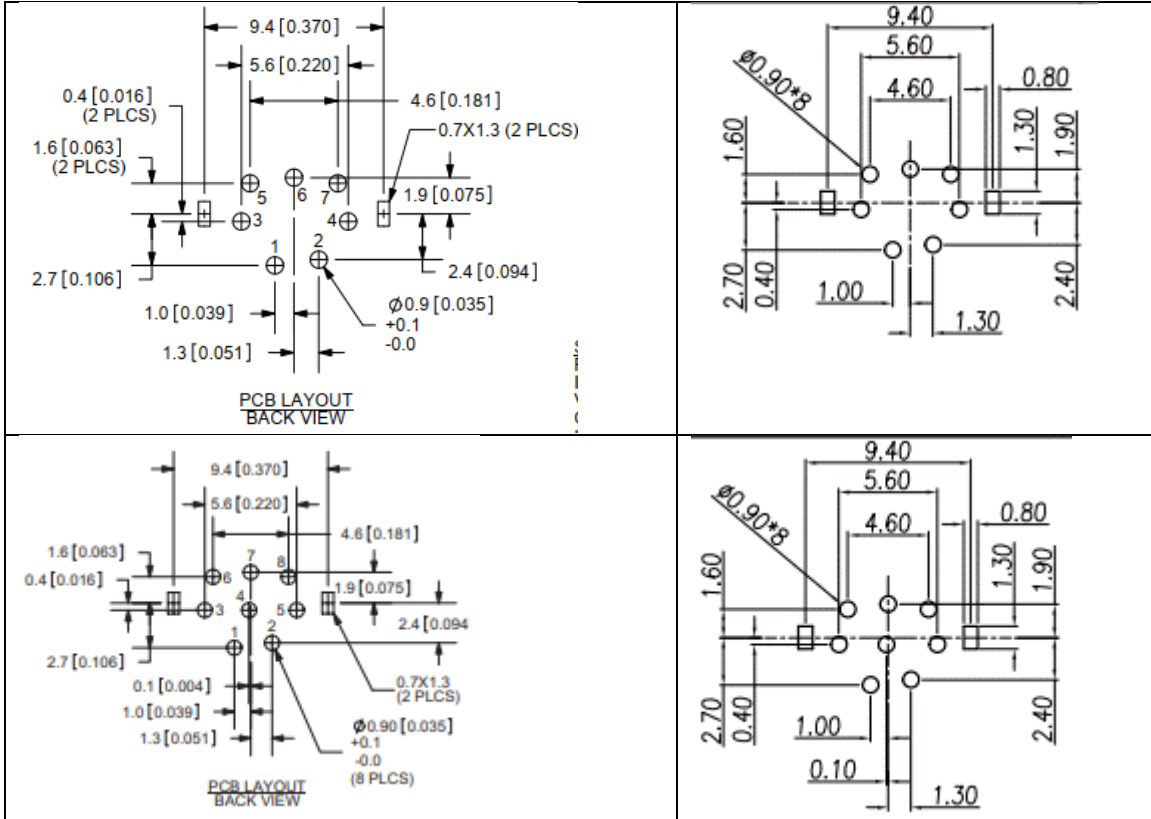
Product(s) Affected: MD-SV series (part numbers MD-30SV, MD-40SV, MD-50SV, MD-60SV, MD-70SV, MD-80SV).

Reason(s) for Change: Manufacturing build location change.

Description of Change: minor dimensional changes, such as pin length as shown below.







Affected Date Code: 11/1/2019

Product Availability: Currently available

Additional Information: none

PCN Approval:

Operations/Quality

Product Marketing

CUI DEVICES

20050 SW 112th Ave. Tualatin, Oregon 97062
phone: 800.275.4899 fax: 503.612.2383
www.cuidevices.com