

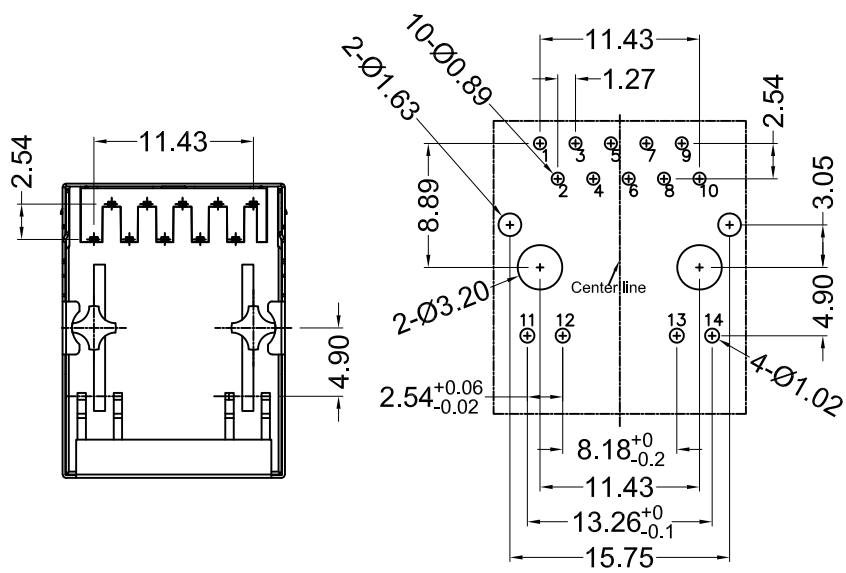
Housing: PBT Thermoplastic
 UL 94V-0 Rated
 Color: Black

Shield: Brass, Nickel Plated

Contact Material:
 Phosphor Bronze

Plating Options:
 Standard: Nickel Underplating,
 Gold Flash Plating on Contact Area,
 Tin Plated on Solder Area

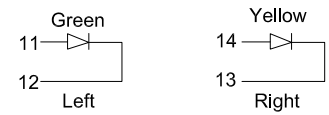
50 Option: Nickel Underplating,
 Contact Area Plated with 50u" Gold
 to Comply with ANSI/TIA-1096-A,
 Tin Plated on Solder Area



Recommended PCB Layout

SpecificationLED

Standard LED Color	LED Wavelength	Forward(V MAX)	Typical(V TYP)	Luminous Intensity
Green	560-580nm	2.5v	2.1-2.2v	9-25 MCD
Yellow	580-610nm	2.5v	2.1-2.2v	9-30 MCD



Electrical Characteristics

Insulation Resistance:
 500 Megohms Min.

Contact Resistance:
 20 milliohms Max.

Dielectric Withstanding Voltage:
 2250V AC for 1 Minute

Mechanical Characteristics

Durability Rating:
 750 Mating Cycles Min.

Mating Force:
 30N Max.

Operating Temperature:
 -40°C to +85°C

ELECTRICAL PROPERTIES OF MAGNETICS:

Insertion Loss (dB Max)	Return Loss (dB Min)			Cross Talk (dB Min)			CMR (dB Min)	OCL (uH Min)
	1~30 MHz	30~60 MHz	60~80 MHz	1~30 MHz	30~60 MHz	60~100 MHz		
-1.0	-16	-14	-10	-40	-35	-30	-35	@100 KHz & 100 mV, 8 mA
								350

Part Number	Contact Area Plating Finish
G8LX-188S1-QQ-G/Y	Gold Flash (Standard)
G8LX-188S1-QQ-G/Y-50	50u" Gold (-50 option)



Tolerances

X.X ± 0.30
X.XX ± 0.25
Unless Stated Otherwise

REV.	DATE	DESCRIPTION	REV. BY	CHK. BY	DRAWN BY	DATE
A0.1	01/14/20	New Drawing	G. Serrato	D. Shehan		
A0.2	01/16/20	Assign Part Number	G. Serrato	D. Shehan	G. Serrato	01/14/20
A1	06/01/20	Release Drawing	G. Serrato	D. Shehan		

G8LX-188S1-QQ-G/Y

Gigabit MagJack, Tab Down, LEDs
 Right Angle, Through Hole

