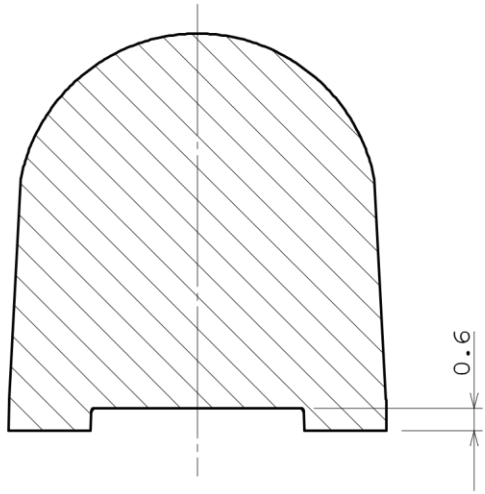
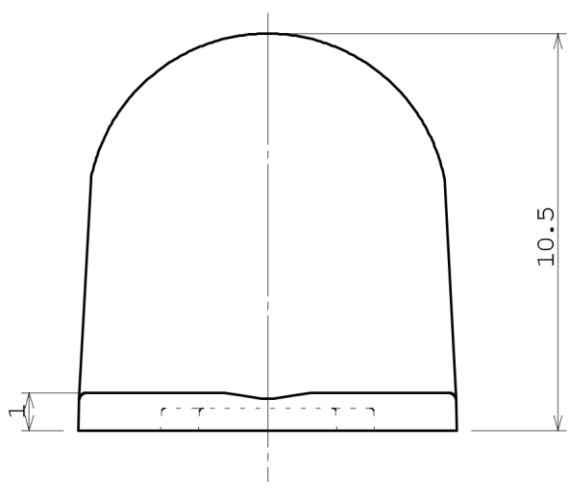
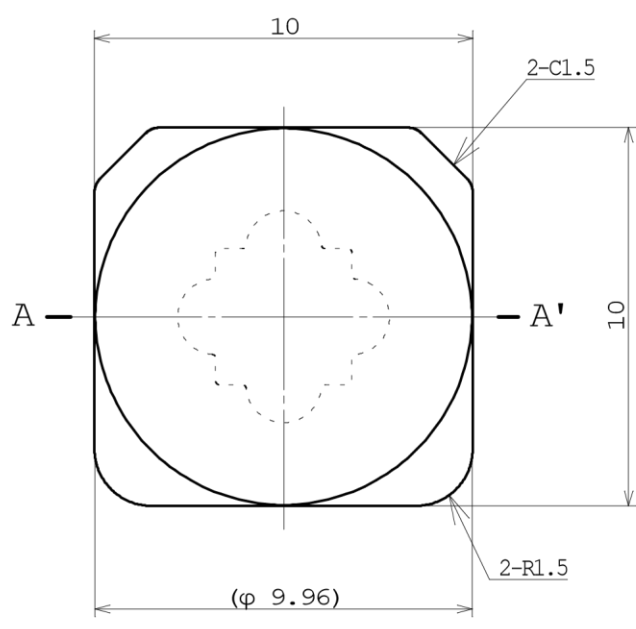
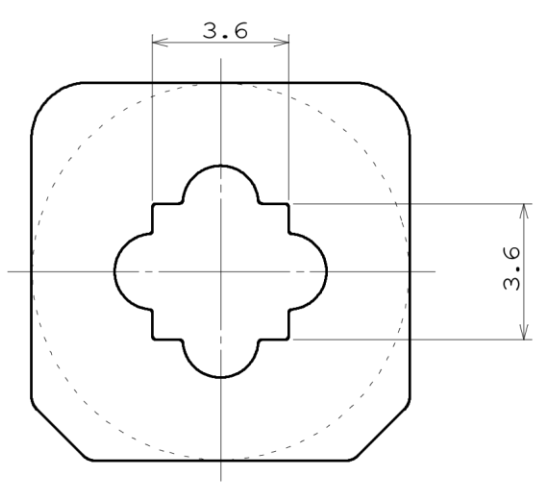


○	SPECIFICATIONS <仕様図>	SURFACE TREATMENT <表面処理>	SYM	DATE	REVISION	REVR	APPR
	REFERENCE <参考図>	HEAT TREATMENT <熱処理>	1*				
		FINISH <仕上げ>	2*				
			3*				



A-A'断面  
A-A' Section



NOTE)

・一般寸法公差：下記C公差を適用

General dimensional tolerance: Range C

TOLERANCE UNLESS SPECIFIED				ORIGINAL DATE 2021/07/07		MATERIAL (COMPOUND) Silicone rubber		TITLE DK-12M-233																															
<table border="1"> <tr> <th>RANGE</th> <th>A</th> <th>B</th> <th>C</th> </tr> <tr> <td>LESS THAN 6</td> <td>±0.2</td> <td>±0.1</td> <td>±0.1</td> </tr> <tr> <td>OVER 6 TO 20</td> <td>±0.3</td> <td>±0.2</td> <td>±0.1</td> </tr> <tr> <td>OVER 20 TO 50</td> <td>±0.5</td> <td>±0.3</td> <td>±0.2</td> </tr> <tr> <td>OVER 50 TO 100</td> <td>±1.0</td> <td>±0.5</td> <td>±0.3</td> </tr> <tr> <td>OVER 100 TO 300</td> <td>±2.0</td> <td>±1.0</td> <td>±0.5</td> </tr> <tr> <td>OVER 300 TO 500</td> <td>±5.0</td> <td>±2.5</td> <td>±1.0</td> </tr> </table>				RANGE	A	B	C	LESS THAN 6	±0.2	±0.1	±0.1	OVER 6 TO 20	±0.3	±0.2	±0.1	OVER 20 TO 50	±0.5	±0.3	±0.2	OVER 50 TO 100	±1.0	±0.5	±0.3	OVER 100 TO 300	±2.0	±1.0	±0.5	OVER 300 TO 500	±5.0	±2.5	±1.0	SCALE 5:1		UNIT mm		COLOR Clear		DRAWING NO. 21070706E	
RANGE	A	B	C																																				
LESS THAN 6	±0.2	±0.1	±0.1																																				
OVER 6 TO 20	±0.3	±0.2	±0.1																																				
OVER 20 TO 50	±0.5	±0.3	±0.2																																				
OVER 50 TO 100	±1.0	±0.5	±0.3																																				
OVER 100 TO 300	±2.0	±1.0	±0.5																																				
OVER 300 TO 500	±5.0	±2.5	±1.0																																				
ANGLE ±2°				SIZE A4		3RD ANGLE SYSTEM		HARDNESS A80		DESIGN T.Motoyanagi																													
								DRAWN T.Motoyanagi		CHECKED S.Endo																													
										APPROVED E.Ishiguro																													



# ◆ASA COLOR LENS

Part number : DK-12M-233 / DK-22M-233

## Initial Properties

### 1. Physical Properties

Items	Materials : ASR-A80MC
Color	Transparent
Hardness JIS Type A	A80/S±5
Total light transmittance(t=2mm)	90% and more
Refractive index (25°C) (D-line 589 nm)	1.41±0.03

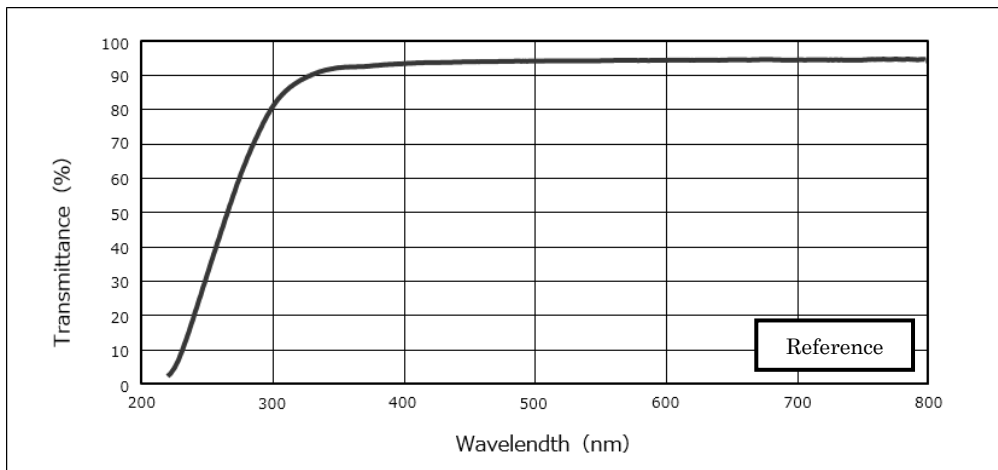


Figure1. Total light transmittance of ASR-A80MC (t=2mm)

### 2. Light Distribution Data

