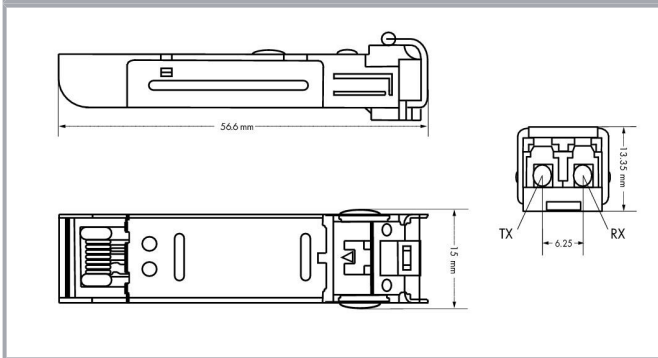
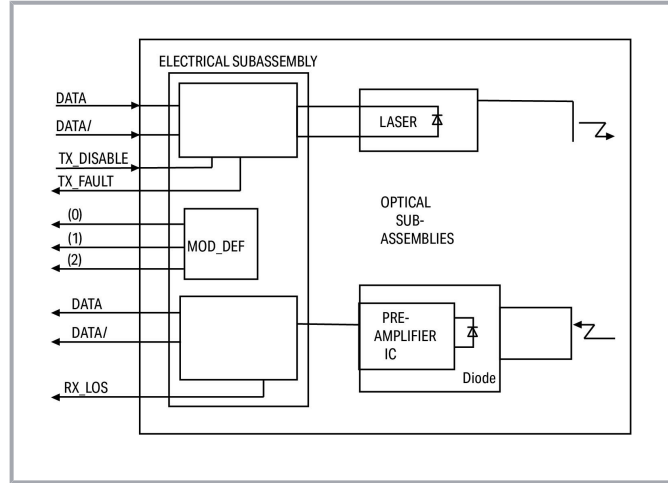


Picture differs from the item.

Color:



## Item description

### Features:

- Duplex LC optical connector
- Small Form-Factor Pluggable (SFP) industry-standard design
- Compliant with Fast ETHERNET standard
- Differential LVPECL inputs and outputs

Subject to changes. Please also observe the further product documentation!



- Power supply: 3.3 V
- TTL signal detect indicator
- Hot-pluggable capability

## Data

### Technical data

Optical fiber type	Single-mode
--------------------	-------------

### Connection data

Connection technology: communication/fieldbus	1 x SFP; LC fiber-optic connector
Connection requirement (permissible cable length)	30,000 m
Connection requirement (permissible cable type)	Single-mode fiber 9/125 µm; Wavelength: 1310 nm

### Physical data

Width	13.4 mm / 0.528 inches
Height	13.3 mm / 0.524 inches
Depth	56.6 mm / 2.228 inches

### Mechanical Data

Weight	25.5 g
Color	silver-colored

### Environmental requirements

Ambient temperature (operation)	0 ... +60 °C
Ambient temperature (storage)	-20 ... +80 °C

### Commercial data

eCl@ss 10.0	19-17-01-30
eCl@ss 9.0	19-17-01-06
ETIM 8.0	EC000309
ETIM 7.0	EC000309
PU (SPU)	1 pcs
Packaging type	box
Country of origin	TW
GTIN	4045454635411
Customs tariff number	85176200000



Subject to changes. Please also observe the further product documentation!

## Environmental Product Compliance


RoHS Compliance Status Compliant, No Exemption

## Approvals / Certificates

### General approvals

Logo	Approval	Additional Approval Text	Certificate name
	EAC Brjansker Zertifizierungsstelle	TP TC 020/2011	EAC RU C-DE.AM02.B.00087/19
	KC National Radio Research Agency	Article 58-2, Clause 3	MSIP-REM-W43-SFP852

### Declarations of conformity and manufacturer's declarations

Logo	Approval	Additional Approval Text	Certificate name
	EU-Declaration of Conformity WAGO GmbH & Co. KG	-	-

## Downloads

### Documentation

#### Bid Text

852-201/107-030 X81 - Datei	2019 Feb 19	xml 3.9 kB	Download
852-201/107-030 doc - Datei	2018 Mar 9	doc 27.1 kB	Download
ausschreiben.de 852-201/107-030		URL	Download

#### Additional Information

Disposal and Recycling Electrical and electronic equipment, Batteries, Packaging	V 1.1.0 2022 Aug 18	pdf 2.2 MB	Download
-------------------------------------------------------------------------------------	------------------------	---------------	----------

Subject to changes. Please also observe the further product documentation!



## System Description

Industrial Switches – General Product Information	pdf 1.9 MB	Download
---------------------------------------------------	---------------	----------

---

## CAD/CAE-Data

### CAE data

EPLAN Data Portal 852-201/107-030	URL	Download
WSCAD Universe 852-201/107-030	URL	Download
WSCAD Universe 852-201/107-030	URL	Download
EPLAN Data Portal 852-201/107-030	URL	Download

---

## Environmental Product Compliance

### Compliance Search

Environmental Product Compliance 852-201/107-030 SFP Module 100BASE; LX Single-Mode 1310 nm LC; 30 km; silver-colored	URL	Download
--------------------------------------------------------------------------------------------------------------------------	-----	----------

---

## Installation Notes

Subject to changes. Please also observe the further product documentation!