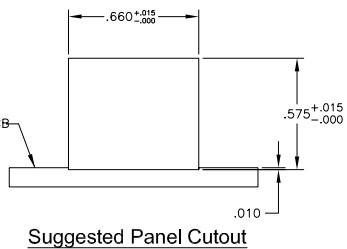
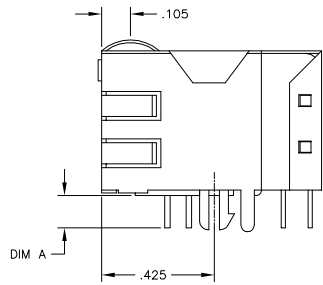
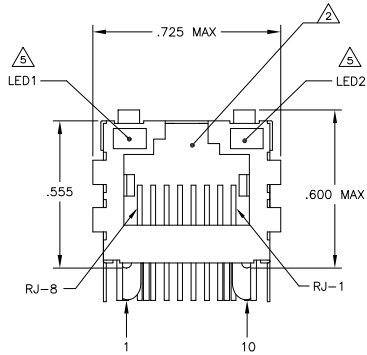
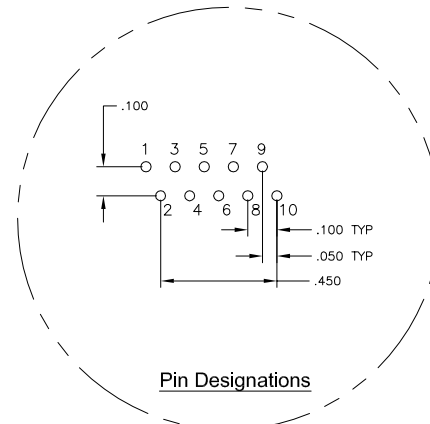
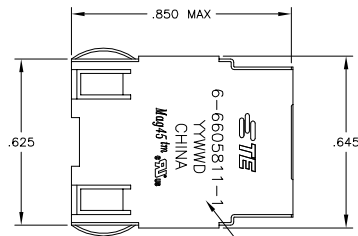
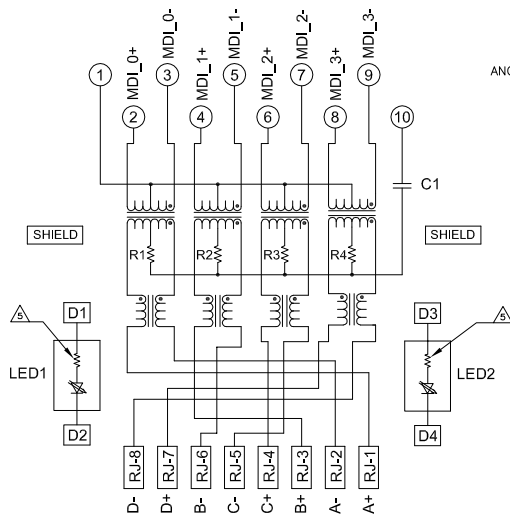


LOC	DATE	REVISIONS	DATE	BY	APP
AA	22				
C	REV PER ECO-09-022155		09OCT2009	VL	LR
C1	REV PER ECO-10-000444		20JAN2010	KK	HMR
D	ECO-11-013430		30MAY2011	EL	LR

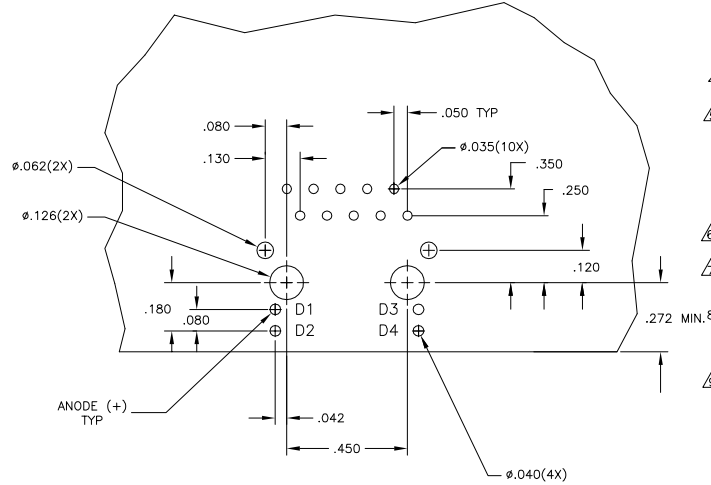
MECHANICAL:



7G01P1 SERIES GIGABIT CIRCUIT



C1=1000pF, 2kV CAPACITOR
R1-R4 = 75 OHMS, 1/16 W RESISTORS



Suggested PCB Layout
(Component Side)

- △ MATERIALS:
 - HOUSING - THERMOPLASTIC PET POLYESTER FLAMMABILITY RATING UL 94V-0.
 - SHIELD - .010" THICK, C26800 BRASS PREPLATED WITH 30μINCH MIN SEMI-BRIGHT NICKEL, SOLDER TABS POST DIPPED WITH 100μINCH MIN SAC SOLDER.
 - MOD JACK CONTACTS - 0.0157" x 0.018" PHOSPHOR BRONZE, 50μINCH MIN OVERALL NICKEL UNDERPLATE, WITH SELECT 50μINCH MIN HARD GOLD FINISH PLATE. SOLDERTAILS WITH 100μINCH MIN MATTE TIN AND/OR SAC SOLDER DIP.
 - LIGHT EMITTING DIODE(LED) - DIFFUSED EPOXY LENS, .020" x .020" CARBON STEEL WIREFRAME LEADS PRE-PLATED WITH 80μINCH SILVER OVER 4.0μINCH NICKEL UNDERPLATE OVER 4.0μINCH COPPER UNDERPLATE, POST-PLATED WITH 100μINCH MIN MATTE TIN AND/OR SAC SOLDER DIP OR PURE TIN SOLDER DIP.

- △ RJ45 JACK CAVITY CONFORMS TO FCC RULES AND REGULATIONS PART 68, SUB PART F.

- △ MAGNETICS
 - IMPEDANCE: 100 OHMS
 - TURNS RATIO (CHIP: CABLE): 1:1 ALL FOUR PAIRS
 - OPEN CIRCUIT INDUCTANCE (OCL): 350nH MIN @100kHz, 0.1VRMS, 8mADC BIAS FROM 0°C TO 70°C, ALL FOUR PAIRS
 - ALL FOUR PAIRS BI-DIRECTIONAL
 - PERFORMANCE @ 25°C:
 - INSERTION LOSS (IL): 1.1dB MAX FROM 0.5MHZ TO 100MHZ
 - RETURN LOSS (RL): 18dB MIN FROM 0.5MHZ TO 40MHZ
 - 12-20LOG(f/80)dB MIN FROM 4.0.1MHZ TO 100MHZ
 - CROSSTALK ATTENUATION: 35dB MIN FROM 0.5MHZ TO 40MHZ
 - 33-20xLOG(f/50)dB MIN FROM 4.0.1MHZ TO 100MHZ
 - COMMON MODE REJECTION RATIO (CMRR): 30dB MIN FROM 0.5MHZ TO 100MHZ
 - ISOLATION VOLTAGE: 2250VDC (MAX) FOR 60 SECONDS WITH A RISE TIME OF 500V/SEC.

- 4. OPERATING TEMPERATURE: FROM 0°C - +70°C.

- △ LED WITH 250 OHM RESISTORS, LED IS DRIVEN WITH 5V VOLTAGE AND THE MAX OPERATING CURRENT IS 20mA.
 - LED COLOR : DOMINANT WAVELENGTH (AD): GREEN 568 nm TYP @ VF=5V
 - FORWARD CURRENT (IF): GREEN 12 mA TYP @ VF=5V
 - DOMINANT WAVELENGTH (AD): YELLOW 588 nm TYP @ VF=5V
 - FORWARD CURRENT (IF): YELLOW 13 mA TYP @ VF=5V

- △ THE MAGNETICS ARE SYMMETRICAL AND SUPPORT AUTO-MDX.
- △ TE CONNECTIVITY LOGO, PART NUMBER, DATE CODE, COUNTRY OF ORIGIN AND AGENCY APPROVAL MARKING IN APPROXIMATE LOCATION SHOWN.

- △ THESE PARTS ARE RECOMMENDED FOR WAVE SOLDERING PROCESS, PREHEAT TEMPERATURE IS 120°C TO 160°C, 120 SECONDS TO 180 SECONDS, PEAK WAVE SOLDERING TEMPERATURE IS 260°C MAX, 10 SECONDS MAX.

- △ OBSOLETE PARTS: OBSOLETE CIS STREAMLINING PER D.RENAUD/D.SINISI

INCHES	TO MM	TO METERS	TO KILOMETERS	TO MILES
.145±.010	YES	GREEN	GREEN	6-6605811-1
.145±.010	YES	YELLOW	GREEN	5-6605811-2
.145±.010	YES	GREEN	YELLOW	5-6605811-1
.165±.010	YES	GREEN	GREEN	2-6605811-1

DIMENSIONS:		DRAWING NO.		REV	
INCHES	MM	100779	6605811	1	1
0.100	2.54				
0.200	5.08				
0.300	7.62				
0.400	10.16				
0.500	12.70				
0.600	15.24				
0.700	17.78				
0.800	20.32				
0.900	22.86				
1.000	25.40				
1.100	27.94				
1.200	30.48				
1.300	33.02				
1.400	35.56				
1.500	38.10				
1.600	40.64				
1.700	43.18				
1.800	45.72				
1.900	48.26				
2.000	50.80				
2.100	53.34				
2.200	55.88				
2.300	58.42				
2.400	60.96				
2.500	63.50				
2.600	66.04				
2.700	68.58				
2.800	71.12				
2.900	73.66				
3.000	76.20				
3.100	78.74				
3.200	81.28				
3.300	83.82				
3.400	86.36				
3.500	88.90				
3.600	91.44				
3.700	93.98				
3.800	96.52				
3.900	99.06				
4.000	101.60				
4.100	104.14				
4.200	106.68				
4.300	109.22				
4.400	111.76				
4.500	114.30				
4.600	116.84				
4.700	119.38				
4.800	121.92				
4.900	124.46				
5.000	127.00				
5.100	129.54				
5.200	132.08				
5.300	134.62				
5.400	137.16				
5.500	139.70				
5.600	142.24				
5.700	144.78				
5.800	147.32				
5.900	149.86				
6.000	152.40				
6.100	154.94				
6.200	157.48				
6.300	160.02				
6.400	162.56				
6.500	165.10				
6.600	167.64				
6.700	170.18				
6.800	172.72				
6.900	175.26				
7.000	177.80				
7.100	180.34				
7.200	182.88				
7.300	185.42				
7.400	187.96				
7.500	190.50				
7.600	193.04				
7.700	195.58				
7.800	198.12				
7.900	200.66				
8.000	203.20				
8.100	205.74				
8.200	208.28				
8.300	210.82				
8.400	213.36				
8.500	215.90				
8.600	218.44				
8.700	220.98				
8.800	223.52				
8.900	226.06				
9.000	228.60				
9.100	231.14				
9.200	233.68				
9.300	236.22				
9.400	238.76				
9.500	241.30				
9.600	243.84				
9.700	246.38				
9.800	248.92				
9.900	251.46				
10.000	254.00				