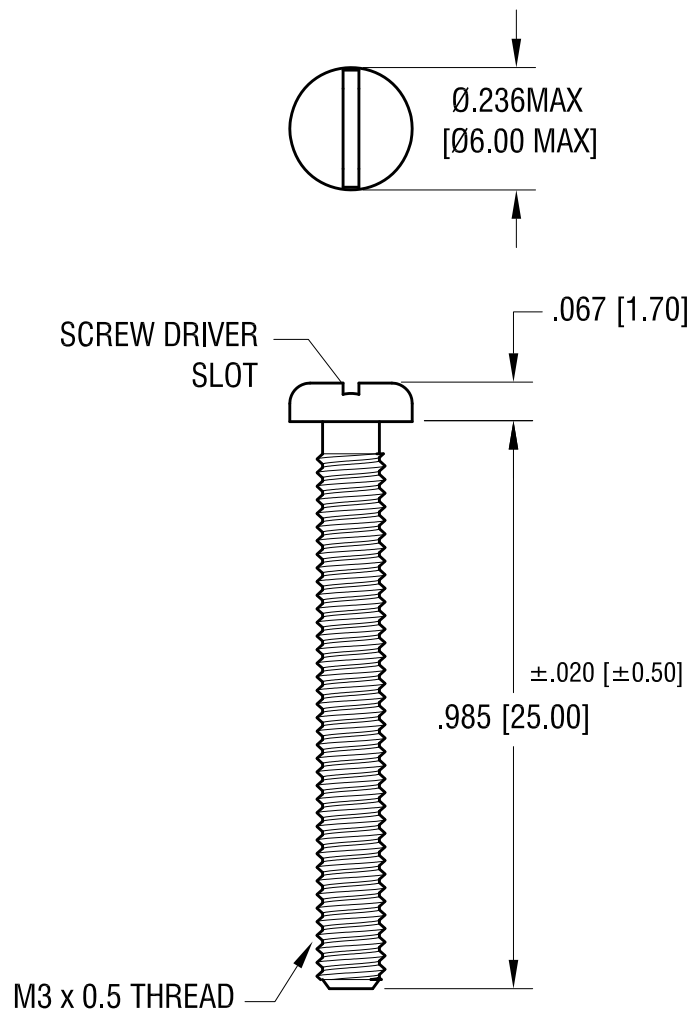


THIS DOCUMENT IS THE PROPERTY OF  
KEYSTONE ELECTRONICS CORP. AND  
SHALL NOT BE REPRODUCED, DISTRIBUTED  
OR USED AS A BASIS FOR MANUFACTURE  
WITHOUT PRIOR WRITTEN PERMISSION  
FROM KEYSTONE ELECTRONICS CORP.

ACTUAL SIZE



**KEYSTONE ELECTRONICS CORP.**

www.keyelco.com • NEW HYDE PARK NY 11040 • Tel (516)328-7500

PART NAME		M3 PAN HEAD SCREW	
MATERIAL		STEEL	
FINISH	ZINC PLATE CLEAR CHROMATE	DRN BY BOONE	DATE 10.16.06
		APP'D RH	SCALE 3X
TOLERANCES	INCH [MM]	CODE	DWG NO.
DECIMAL	± .010 [± 0.25]	C	29318
ANGULAR	± 1°		
UNLESS OTHERWISE SPECIFIED			

3.01.22	CHANGE AS PER ECN 22-041	A
DATE	DESCRIPTION	REV.