

THIS DRAWING IS UNPUBLISHED. RELEASED FOR PUBLICATION

PART NUMBER	REV	TERMINATOR	FEED TYPE	DESCRIPTION
2114124-1	1	LEADMAKER	MECH POST FEED	CUTS CARRIER
2114124-2	1	BENCH	MECH PRE FEED	CUTS CARRIER
2114124-6	1	LEADMAKER	MECH POST FEED	CONTINUOUS CARRIER
7-2114124-1	1	LEADMAKER	MECH POST FEED	-1 AND SPARE PARTS
7-2114124-2	1	BENCH	MECH PRE FEED	-2 AND SPARE PARTS
7-2114124-6	1	LEADMAKER	MECH POST FEED	-6 AND SPARE PARTS
7-2114124-7	1	-	-	SPARE PARTS KIT

CRIMP DATA TE TERMINAL TE CRIMP SPECS

TERMINAL NAME: RECEPTACLE CRIMPING CONTACT ROCKET

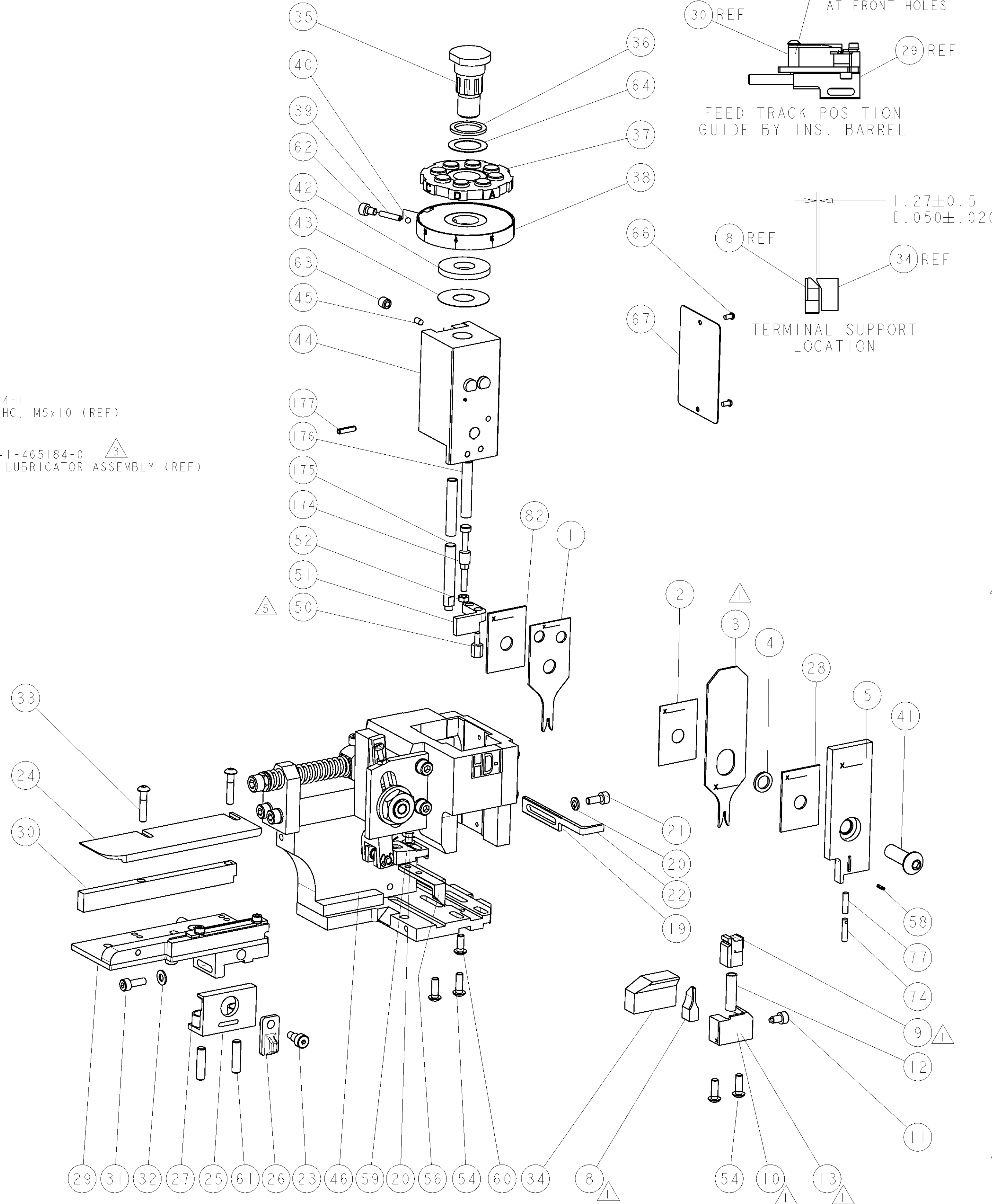
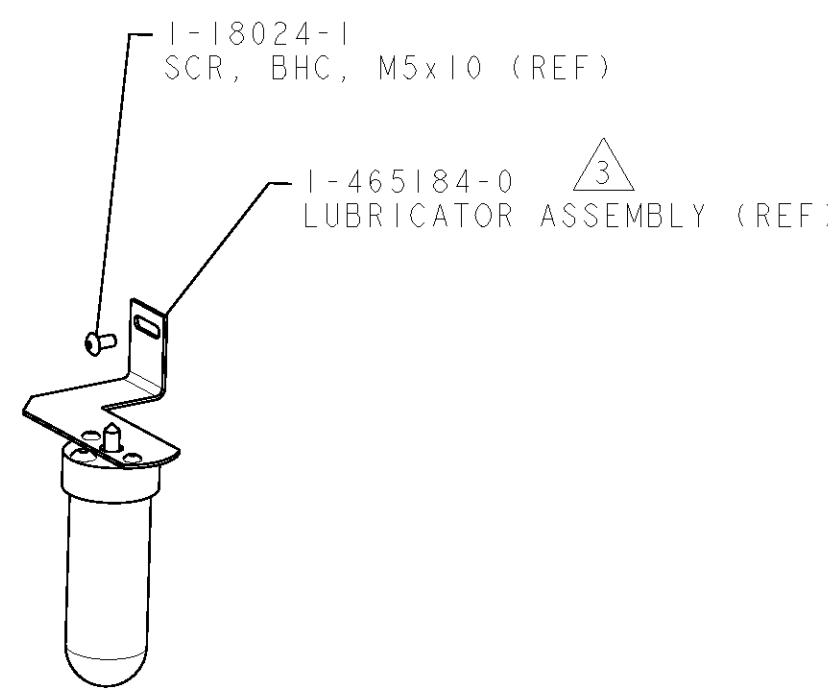
CRIMP	SIZE	TYPE	RANGE
WIRE	1.16 [.046 IN]	F	28-22 AWG
INSUL	1.45 [.057 IN]	F	Ø0.6-1.2mm [.024-.047 IN]

WIRE STRIP LENGTH 1.70-2.30 [.067-.091 IN] APPL INSTRUCTIONS 408-8322

TERMINAL APPL SPEC 114-106072 FEED 6.00 [.236 IN]

TERMINALS APPLIED

WIRE SIZE	CRIMP HEIGHT	PIN PN & LENGTH [IN]
22AWG	.80 ±0.03 [.032 ±.001 IN]	2-354779-8 [.3130]
24AWG	.73 ±0.03 [.029 ±.001 IN]	3-354779-3 [.3155]
26AWG	.67 ±0.03 [.026 ±.001 IN]	3-354779-8 [.3180]
28AWG	.64 ±0.03 [.025 ±.001 IN]	4-354779-0 [.3190]

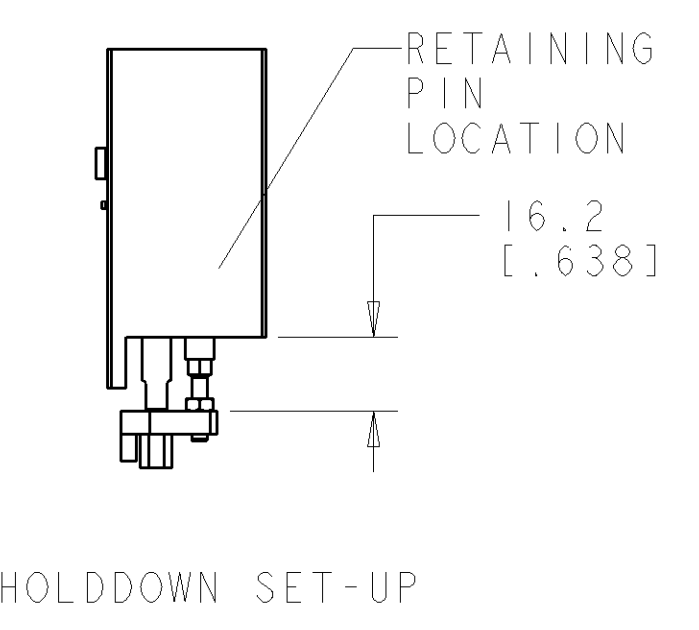
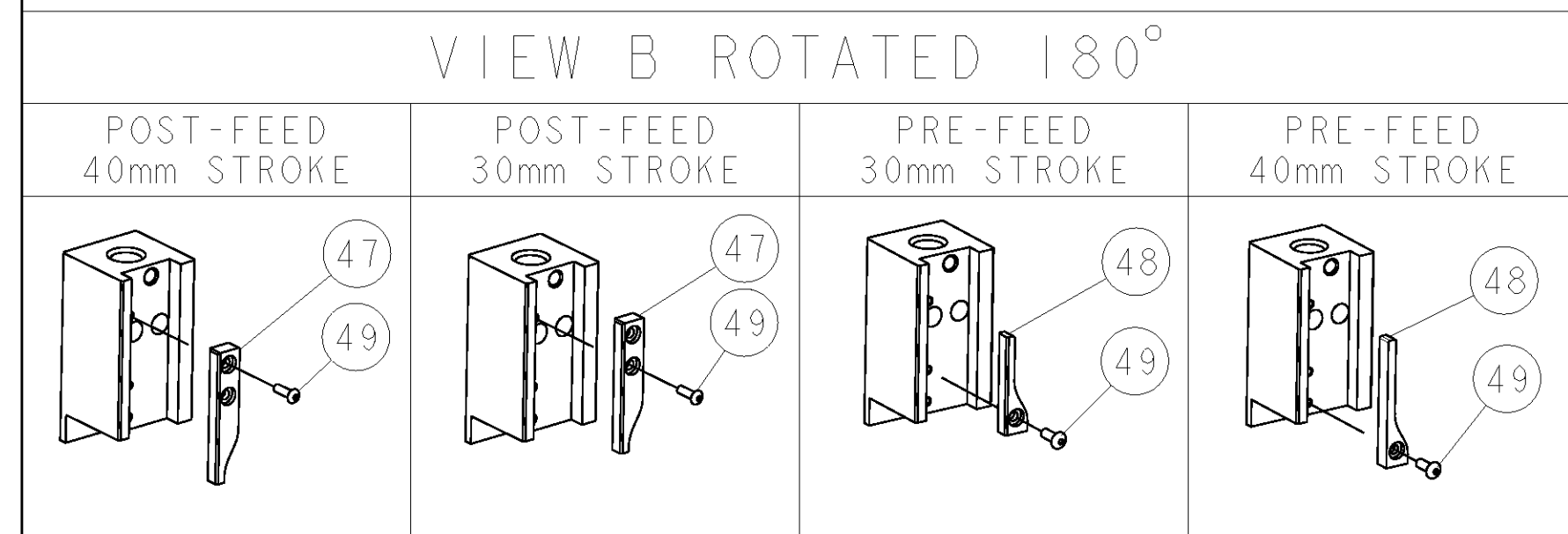


SET UP GAGE 458637-3

REV	DESCRIPTION	DATE	DWN	APPD
1	DEVELOPMENT	31MAY2011	D.L	S.X

REV	DESCRIPTION	DATE	DWN	APPD	ITEM NO
1	993111-8				177
2	3-22280-7				176
1	1752353-1				175
1	1901680-1				174
1	1-455888-1				82
1	1-22278-0				77
1	854769-1				74
1	1338705-1				71
1	461264-1				67
2	21017-2				66
1	986950-1				64
1	3-18031-0				63
1	18023-9				62
2	2-18032-5				61
1	18024-7				60
1	5-18022-2				59
1	21028-2				58
1	1338685-1				56
4	18024-8				54
1	1-18030-0				52
1	1-1901681-8				51
1	1-1752354-4				50
1	18024-3				49
1	1338675-1				48
1	1338676-1				47
1	1320999-3				46
1	690191-1				45
1	1633724-1				44
1	690125-1				43
1	690124-4				42
1	2-18024-6				41
1	23241-1				40
1	2-22278-7				39
1	1320922-1				38
1	354777-1				37
1	22480-5				36
1	690212-1				35
1	2-1752356-4				34
2	1-18024-0				33
1	18027-2				32
1	1-18023-2				31
1	1-1320908-7				30
1	1633073-1				29
1	1-455888-0				28
2	1-22284-0				27
1	356835-1				26
1	240792-1				25
1	1320928-1				24
1	980371-4				23
1	690472-2				22
1	1-18023-1				21
2	18025-2				20
1	690472-1				19
1	1338684-2				13
1	3-22280-3				12
1	356885-5				11
1	1-1320921-0				10
1	462006-6				9
1	9-1633703-6				8
1	-				7
1	-				6
1	854772-1				5
1	2-238011-0				4
1	7-1633511-3				3
1	455888-3				2
1	7-1633588-6				1

- RECOMMENDED SPARE PARTS.
- GREASE RAM, CAM, CAM FOLLOWER AND FEED ROD LIGHTLY.
- CERTAIN TERMINALS REQUIRE LUBRICATION. REFER TO THE APPLICATOR INSTRUCTION SHEET FOR MORE INFORMATION.
- LUBRICATE DAILY PER THE APPLICATOR INSTRUCTION SHEET SUPPLIED WITH THE APPLICATOR.
- APPLY MILD LOCTITE #222 P/N 1-23419-5 TO ITEM 50



PROTOTYPE DESIGN NOT RELEASED FOR PRODUCTION