

(DUAL ENDWALL SHOWN)

- NOTES:**
1. MATERIALS: HOUSING - LIQUID CRYSTAL POLYMER (LCP)
GLASS-FILLED, UL94V-0
TERMINALS - HIGH PERFORMANCE COPPER ALLOY
 2. FINISH: 30μ MIN GOLD IN CONTACT AREA.
SELECTIVE TIN OR TIN-LEAD ON PCB TAILS.
NICKEL OVERALL.
 3. REFER TO MOLEX PRODUCT SPECIFICATION PS-76060-999
FOR PERFORMANCE SPECIFICATIONS AND ADDITIONAL PCB INFORMATION.
 4. THIS PART CONFORMS TO CLASS B REQUIREMENTS OF
COSMETIC SPEC PS-45499-002.
 5. PRODUCT IS PACKAGED PER PK-70873-7706.
 6. SEE SHEETS 2 AND 3 FOR PART NUMBERS AND ORTHOGONAL PIN MAPPING.
 7. REFER TO MOLEX SALES DRAWING SD-76850-001 FOR THE MATING RECEPTACLES.
 8. REFER TO MOLEX ROUTING GUIDE AS-76850-990 FOR ADDITIONAL PCB LAYOUT
AND ROUTING RECOMMENDATIONS.

QUALITY SYMBOLS	THIS DRAWING CONTAINS INFORMATION THAT IS PROPRIETARY TO MOLEX ELECTRONIC TECHNOLOGIES, LLC AND SHOULD NOT BE USED WITHOUT WRITTEN PERMISSION		DIMENSION UNITS	SCALE	molex			
			mm	4:1				
▽ = 0	MIGRATED TO NX EC NO: 123322 DRWN: NSRVATSAHS CHKD: PRAMASWAMY REV / APPR: PRAMASWAMY	2017/10/06 2017/10/17 2017/10/18	GENERAL TOLERANCES (UNLESS SPECIFIED)		IMPACT 4 PAIR HEADER ORTHOGONAL ASSEMBLY UNGUIDED SALES DRAWING			
▽ = 0			ANGULAR TOL ± 0.5 °					
▽ = 0			4 PLACES ±	DRWN BY		DATE		
▼ = 0			3 PLACES ±	CHKD BY		DATE		
▽ = 0			2 PLACES ± 0.13	PRAMASWAMY		2017/10/17		
▽ = 0			1 PLACE ± 0.25	APPR BY		DATE		
⊠ = 0	0 PLACES ±	TELO	2012/06/05	PRODUCT CUSTOMER DRAWING				
■ = 0	DRAFT WHERE APPLICABLE MUST REMAIN WITHIN DIMENSIONS		DRAWING SIZE	THIRD ANGLE PROJECTION	SERIES	MATERIAL NUMBER	CUSTOMER	
▽ = 0	A2	REV	C	⊕	171348	SEE CHART	GENERAL MARKET	
					DOCUMENT NUMBER	DOC TYPE	DOC PART	SHEET NUMBER
					SD-171348-0001	PSD	001	1 OF 3

ORTHO OPTION 270

NEAR SIDE PIN A1 MAPS
TO FAR SIDE PIN A1

MATERIAL NUMBER	# OF COLUMNS	# OF DIFF PAIR	DIM "A"	DIM "B"	DIM "C"
171348-160*	6	24	12.00	10.00	10.40
171348-161*	6	24	13.40	10.00	10.40
171348-162*	6	24	14.80	10.00	10.40
171348-163*	6	24	13.40	10.00	10.40
171348-180*	8	32	16.05	14.05	14.45
76845-181*	8	32	17.45	14.05	14.45
171348-182*	8	32	18.85	14.05	14.45
171348-183*	8	32	17.45	14.05	14.45
171348-110*	10	40	20.10	18.10	18.50
171348-111*	10	40	21.50	18.10	18.50
171348-112*	10	40	22.90	18.10	18.50
171348-113*	10	40	21.50	18.10	18.50

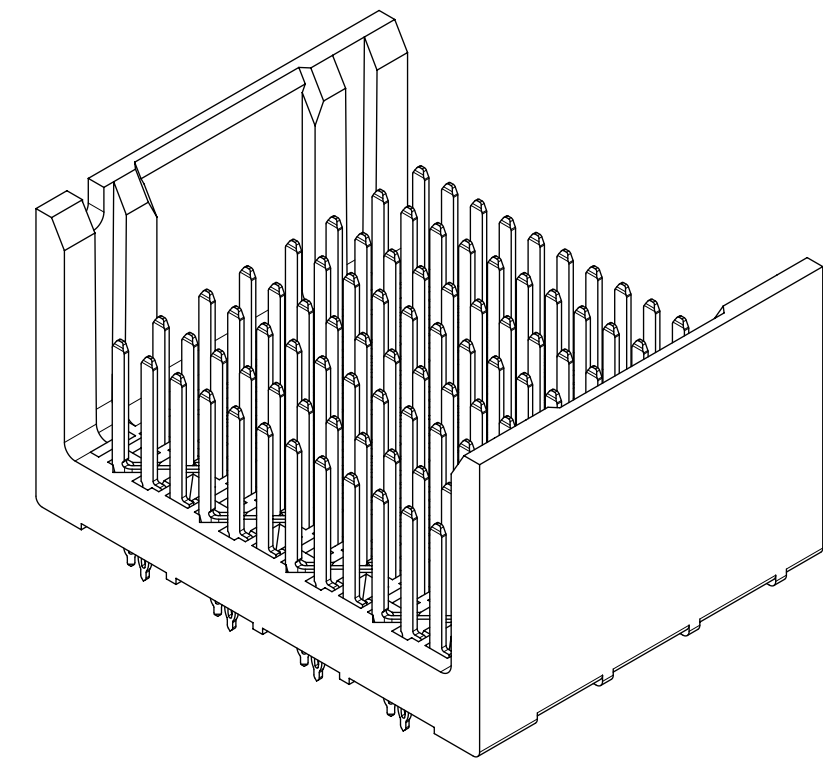
171348-1***

MODULE & TAIL PLATING TYPE
1 = UNGUIDED, MATTE TIN (LEAD-FREE)

PIN LENGTH (P)
4 = 4.90, (0.46 PTH)
5 = 5.50, (0.46 PTH)
7 = 4.90, (0.39 PTH)
8 = 5.50, (0.39 PTH)

OF COLUMNS
6 = 6 COLUMN
8 = 8 COLUMN
1 = 10 COLUMN

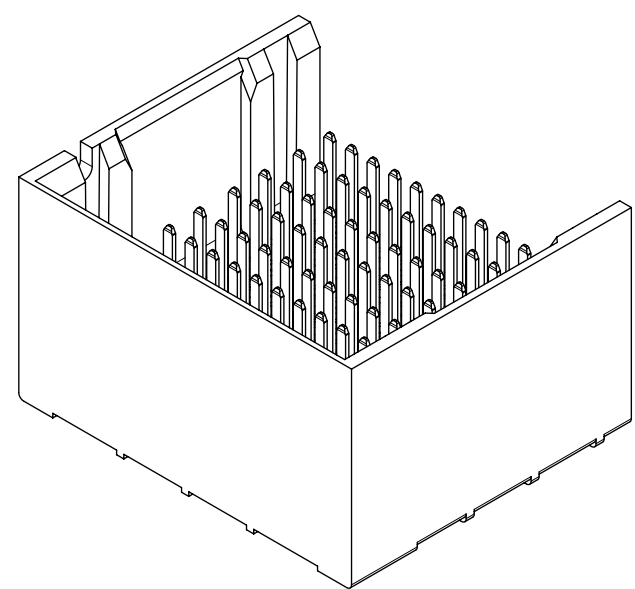
ENDWALL OPTIONS
0 = OPEN ENDS
1 = LEFT ENDWALL
2 = DUAL ENDWALL
3 = RIGHT ENDWALL



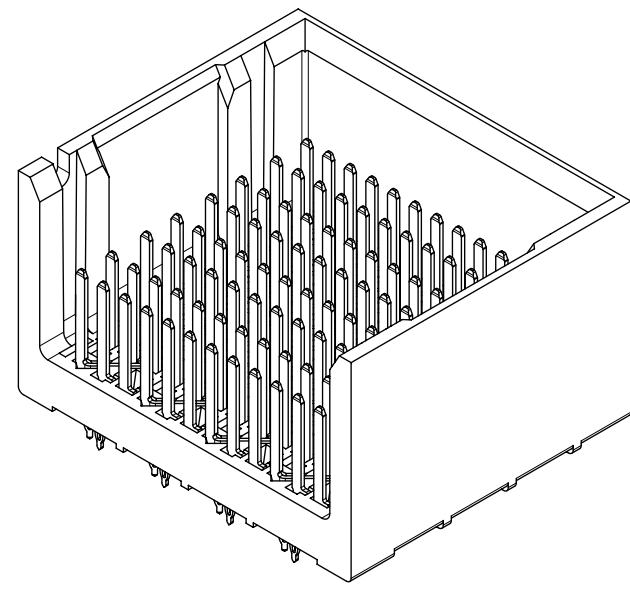
(OPEN END OPTION SHOWN)

ORTHO OPTION 90

NEAR SIDE PIN A1 MAPS
TO FAR SIDE PIN M8
(FOR SQUARE PATTERN)

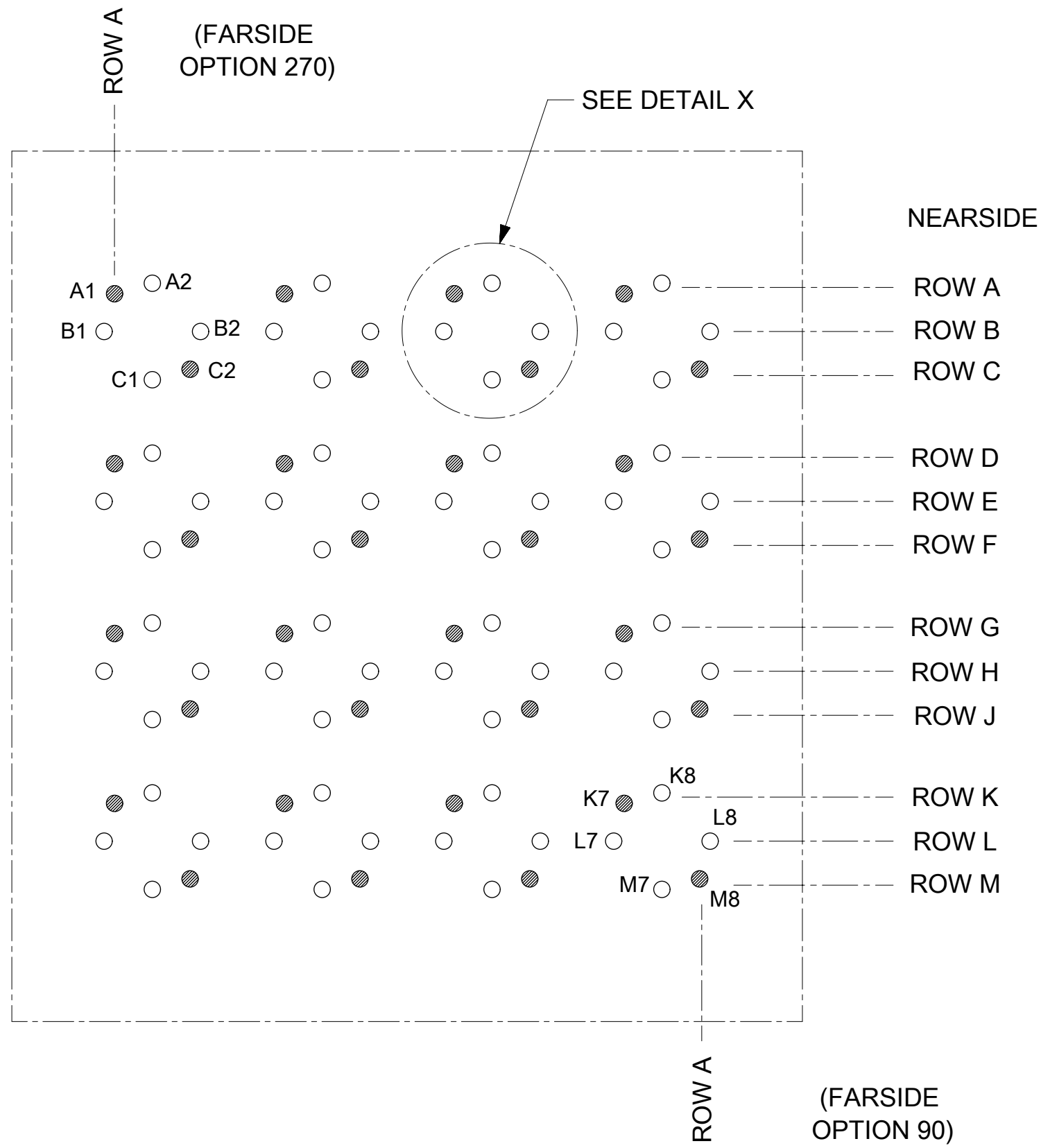


(LEFT END WALL SHOWN)

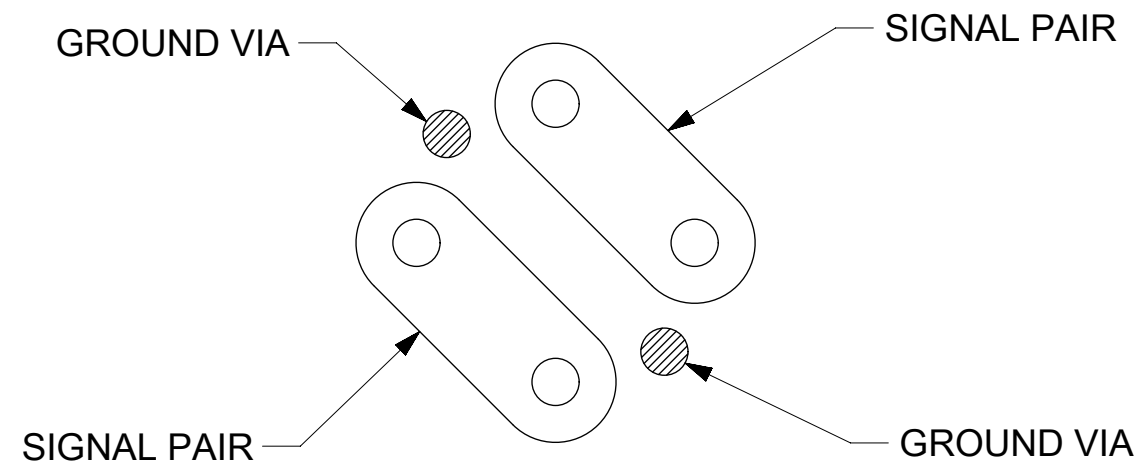


(RIGHT END WALL SHOWN)

QUALITY SYMBOLS ▽ = 0 ▽ = 0 ▽ = 0 ▼ = 0 ▽ = 0 ⊠ = 0 ■ = 0 ▽ = 0	THIS DRAWING CONTAINS INFORMATION THAT IS PROPRIETARY TO MOLEX ELECTRONIC TECHNOLOGIES, LLC AND SHOULD NOT BE USED WITHOUT WRITTEN PERMISSION	EC NO: 123322 DRWN: NSRVATSAHS CHKD: PRAMASWAMY REV: APPR: PRAMASWAMY	2017/10/06 2017/10/17 2017/10/18	GENERAL TOLERANCES (UNLESS SPECIFIED) ANGULAR TOL ± 0.5 ° 4 PLACES ± 3 PLACES ± 2 PLACES ± 0.13 1 PLACE ± 0.25 0 PLACES ±	DIMENSION UNITS: mm SCALE: 1:1 DRWN BY: JMENDOZA DATE: 2012/06/04 CHKD BY: PRAMASWAMY DATE: 2017/10/17 APPR BY: TELO DATE: 2012/06/05	DIMENSION UNITS: mm SCALE: 1:1 DRWN BY: JMENDOZA DATE: 2012/06/04 CHKD BY: PRAMASWAMY DATE: 2017/10/17 APPR BY: TELO DATE: 2012/06/05	molex IMPACT 4 PAIR HEADER ORTHOGONAL ASSEMBLY UNGUIDED SALES DRAWING	PRODUCT CUSTOMER DRAWING	SERIES: 171348 MATERIAL NUMBER: SEE CHART CUSTOMER: GENERAL MARKET



MIDPLANE PCB LAYOUT



ORTHO PIN MAPPING

OPTION 270 (NEARSIDE - FAR SIDE)

A1-A1	A2-B1	A3-D1	A4-E1	A5-G1	A6-H1	A7-K1	A8-L1
B1-A2	B2-C1	B3-D2	B4-F1	B5-G2	B6-J1	B7-K2	B8-M1
C1-B2	C2-C2	C3-E2	C4-F2	C5-H2	C6-J2	C7-L2	C8-M2
D1-A3	D2-B3	D3-D3	D4-E3	D5-G3	D6-H3	D7-K3	D8-L3
E1-A4	E2-C3	E3-D4	E4-F3	E5-G4	E6-J3	E7-K4	E8-M3
F1-B4	F2-C4	F3-E4	F4-F4	F5-H4	F6-J4	F7-L4	F8-M4
G1-A5	G2-B5	G3-D5	G4-E5	G5-G5	G6-H5	G7-K5	G8-L5
H1-A6	H2-C5	H3-D6	H4-F5	H5-G6	H6-J5	H7-K6	H8-M5
J1-B6	J2-C6	J3-E6	J4-F6	J5-H6	J6-J6	J7-L6	J8-M6
K1-A7	K2-B7	K3-D7	K4-E7	K5-G7	K6-H7	K7-K7	K8-L7
L1-A8	L2-C7	L3-D8	L4-F7	L5-G8	L6-J7	L7-K8	L8-M7
M1-B8	M2-C8	M3-E8	M4-F8	M5-H8	M6-J8	M7-L8	M8-M8

ORTHO PIN MAPPING

OPTION 90 (NEARSIDE - FAR SIDE)

A1-M8	A2-L8	A3-J8	A4-H8	A5-F8	A6-E8	A7-C8	A8-B8
B1-M7	B2-K8	B3-J7	B4-G8	B5-F7	B6-D8	B7-C7	B8-A8
C1-L7	C2-K7	C3-H7	C4-G7	C5-E7	C6-D7	C7-B7	C8-A7
D1-M6	D2-L6	D3-J6	D4-H6	D5-F6	D6-E6	D7-C6	D8-B6
E1-M5	E2-K6	E3-J5	E4-G6	E5-F5	E6-D6	E7-C5	E8-A6
F1-L5	F2-K5	F3-H5	F4-G5	F5-E5	F6-D5	F7-B5	F8-A5
G1-M4	G2-L4	G3-J4	G4-H4	G5-F4	G6-E4	G7-C4	G8-B4
H1-M3	H2-K4	H3-J3	H4-G4	H5-F3	H6-D4	H7-C3	H8-A4
J1-L3	J2-K3	J3-H3	J4-G3	J5-E3	J6-D3	J7-B3	J8-A3
K1-M2	K2-L2	K3-J2	K4-H2	K5-F2	K6-E2	K7-C2	K8-B2
L1-M1	L2-K2	L3-J1	L4-G2	L5-F1	L6-D2	L7-C1	L8-A2
M1-L1	M2-K1	M3-H1	M4-G1	M5-E1	M6-D1	M7-B1	M8-A1

NOTE: PINOUTS SHOWN IN BALLOONS ARE GROUNDS.
PINOUTS SHOWN ARE FOR SQUARE (8 COLUMN) PATTERN ONLY.

QUALITY SYMBOLS	THIS DRAWING CONTAINS INFORMATION THAT IS PROPRIETARY TO MOLEX ELECTRONIC TECHNOLOGIES, LLC AND SHOULD NOT BE USED WITHOUT WRITTEN PERMISSION		GENERAL TOLERANCES (UNLESS SPECIFIED)		DIMENSION UNITS	SCALE	molex		
▽ = 0	MIGRATED TO NX		ANGULAR TOL ± 0.5 °		mm	4:1			
▽ = 0	EC NO: 123922	DRWN: NSRVATSAHS	2017/10/06	4 PLACES ±	DRWN BY	DATE	PRODUCT CUSTOMER DRAWING		
▽ = 0	CHKD: PRAMASWAMY	2017/10/17	3 PLACES ±	3 PLACES ±	CHKD BY	DATE			
▽ = 0	APP: PRAMASWAMY	2017/10/18	2 PLACES ± 0.13	2 PLACES ± 0.13	APPR BY	DATE	171348 SEE CHART GENERAL MARKET		
▽ = 0	REV: PRAMASWAMY	2017/10/18	1 PLACE ± 0.25	1 PLACE ± 0.25	TELO	2012/06/05			
□ = 0			0 PLACES ±	0 PLACES ±	DRAWING SIZE	THIRD ANGLE PROJECTION	SD-171348-0001 PSD 001 3 OF 3		
■ = 0	DRAFT WHERE APPLICABLE MUST REMAIN WITHIN DIMENSIONS				C				
▽ = 0									