

## Sensor/actuator cable - SAC-4P-M 8MR/ 3,0-600 FB - 1406843

Please be informed that the data shown in this PDF Document is generated from our Online Catalog. Please find the complete data in the user's documentation. Our General Terms of Use for Downloads are valid (<http://phoenixcontact.com/download>)



Sensor/actuator cable, 4-position, PP-EPDM halogen-free, gray RAL 7035, Plug angled M8, on free cable end, cable length: 3 m, Hygienic design, with plastic knurl

### Your advantages

- ✓ Easy and safe: 100% electrically tested plug-in components
- ✓ Easy to clean, thanks to the special hygienic design
- ✓ Contamination can be detected quickly – thanks to the light color

### Key Commercial Data

|              |               |
|--------------|---------------|
| Packing unit | 1 pc          |
| GTIN         |               |
| GTIN         | 4046356781640 |

### Technical data

#### Dimensions

|                 |     |
|-----------------|-----|
| Length of cable | 3 m |
|-----------------|-----|

#### Ambient conditions

|                                 |                                   |
|---------------------------------|-----------------------------------|
| Ambient temperature (operation) | -40 °C ... 105 °C (Plug / socket) |
| Degree of protection            | IP65/IP68/IP69K                   |

#### General

|                       |                              |
|-----------------------|------------------------------|
| Rated current at 40°C | 4 A                          |
| Rated voltage         | 48 V AC                      |
|                       | 60 V DC                      |
| Number of positions   | 4                            |
| Insulation resistance | ≥ 100 MΩ                     |
| Coding                | A - standard                 |
| Standards/regulations | M8 connector IEC 61076-2-104 |

# Sensor/actuator cable - SAC-4P-M 8MR/ 3,0-600 FB - 1406843

## Technical data

### General

|                              |  |
|------------------------------|--|
|                              | Material conformance FDA 21 CFR 177.2600 |
| Status display               | No                                       |
| Protective circuit/component | unwired                                  |
| Insertion/withdrawal cycles  | ≥ 100                                    |
| Torque                       | 0.2 Nm (M8 connectors)                   |

### Material

|                          |               |
|--------------------------|---------------|
| Contact material         | CuSn          |
| Contact surface material | Ni/Au         |
| Contact carrier material | PP            |
| Material of grip body    | PP            |
| Material, knurts         | Polypropylene |

### Standards and Regulations

|                       |                      |
|-----------------------|----------------------|
| Standard designation  | M8 connector         |
| Standards/regulations | IEC 61076-2-104      |
| Standard designation  | Material conformance |
| Standards/regulations | FDA 21 CFR 177.2600  |

### Cable

|   |  |
|---|--|
| Cable type                                      | Halogen-free PP gray   |
| Cable type (abbreviation)                       | 600  |
| Cable abbreviation                              | Li9Y14Y  |
| Conductor cross section                         | 4x 0.25 mm <sup>2</sup> (Signal line)                            |
| AWG signal line                                 | 24   |
| Conductor structure signal line                 | 32x 0.10 mm  |
| Core diameter including insulation              | 1.17 mm ±0.02 mm (Signal line)                                   |
| Thickness, insulation                           | ≥ 0.21 mm (Core insulation)                                      |
| Wire colors                                     | brown, white, blue, black  |
| Overall twist                                   | 4 wires, twisted   |
| Length of twist, overall twist                  | 44 mm  |
| External sheath, color                          | gray RAL 7035  |
| Outer sheath thickness                          | approx. 0.8 mm   |
| External cable diameter D                       | 4.5 mm ±0.15 mm  |
| Minimum bending radius, fixed installation      | 5 x D  |
| Minimum bending radius, flexible installation   | 10 x D   |
| Number of bending cycles                        | 4000000  |
| Minimum bending radius, drag chain applications | 10 x D   |
| Traversing path                                 | 10 m   |
| Traversing rate                                 | 3 m/s  |
| Acceleration                                    | 10 m/s <sup>2</sup>  |
| Torsion force                                   | ± 270 °/m (4,000,000 torsion cycles, max. 25 torsion cycles/min) |

## Sensor/actuator cable - SAC-4P-M 8MR/ 3,0-600 FB - 1406843

### Technical data

#### Cable

|                                 |   |
|---------------------------------|---|
| Cable weight                    | 23 kg/km  |
| Outer sheath, material          | PP-EPDM   |
| Material conductor insulation   | PP  |
| Conductor material              | Bare Cu litz wires  |
| Insulation resistance           | ≥ 1 GΩ*km (at 20 °C)  |
| Conductor resistance            | 78 Ω/km (at 20 °C)  |
| Nominal voltage, cable          | ≤ 300 V AC  |
| Test voltage, cable             | ≥ 3000 V AC (Spark test)  |
| Special properties              | FDA compliant according to FDA 21 CFR 177.2600                                    |
|                                 | highly flexible   |
|                                 | Flexible cable conduit capable  |
| Halogen-free                    | in accordance with DIN VDE 0472 part 815  |
|                                 | in accordance with DIN EN 50267-2-1   |
| Other resistance                | Resistant to cold bending and cold impacts According to DIN EN 60811-1-4 (-40 °C) |
| Ambient temperature (operation) | -40 °C ... 105 °C (cable, fixed installation)                                     |
|                                 | -25 °C ... 105 °C (cable, flexible installation)                                  |

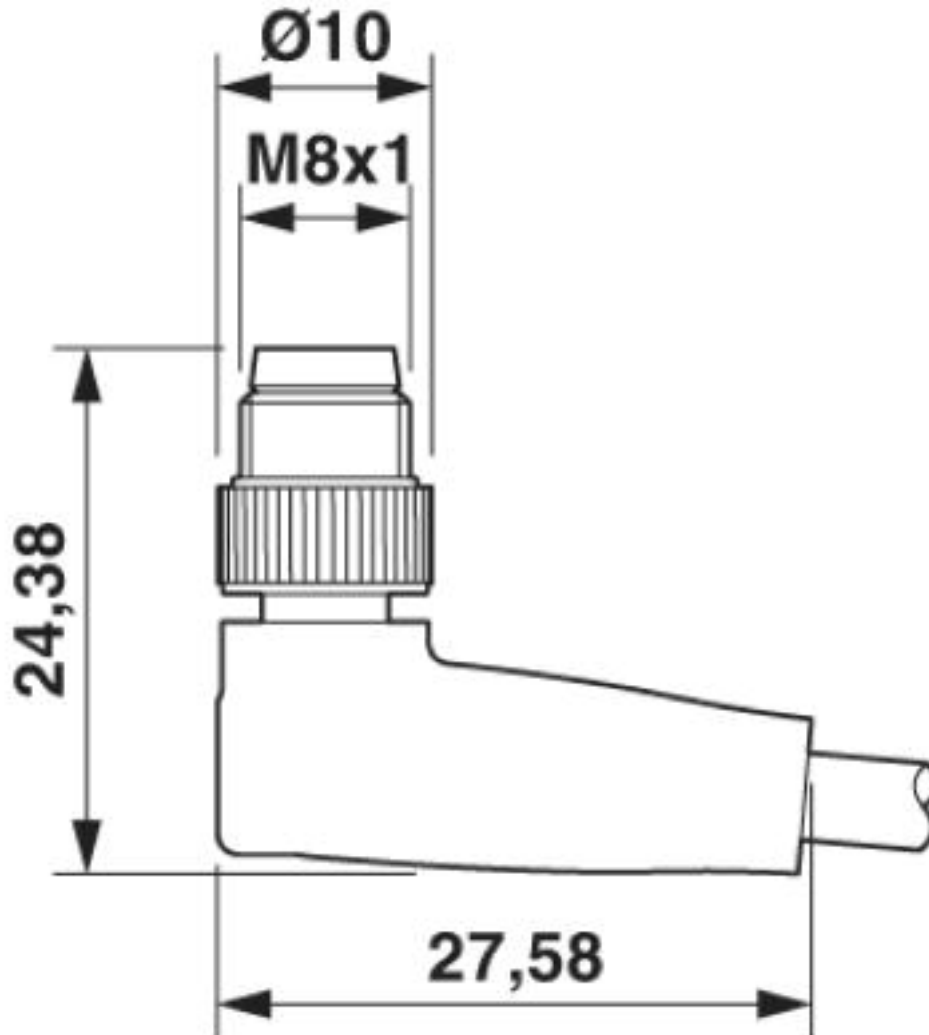
#### Environmental Product Compliance

|            |   |
|------------|---|
| China RoHS | Environmentally friendly use period: unlimited = EFUP-e |
|            | No hazardous substances above threshold values          |

#### Drawings

# Sensor/actuator cable - SAC-4P-M 8MR/ 3,0-600 FB - 1406843

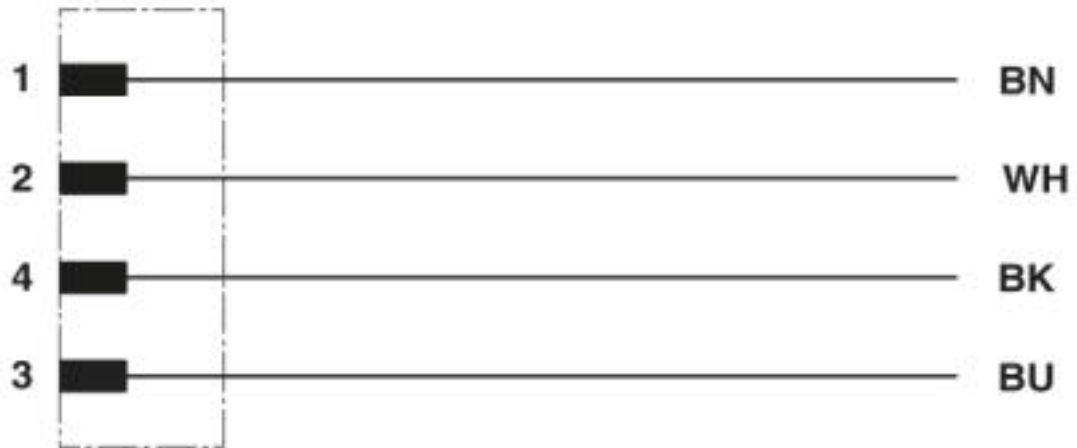
Dimensional drawing



M8 x 1 male plug, angled version

## Sensor/actuator cable - SAC-4P-M 8MR/ 3,0-600 FB - 1406843

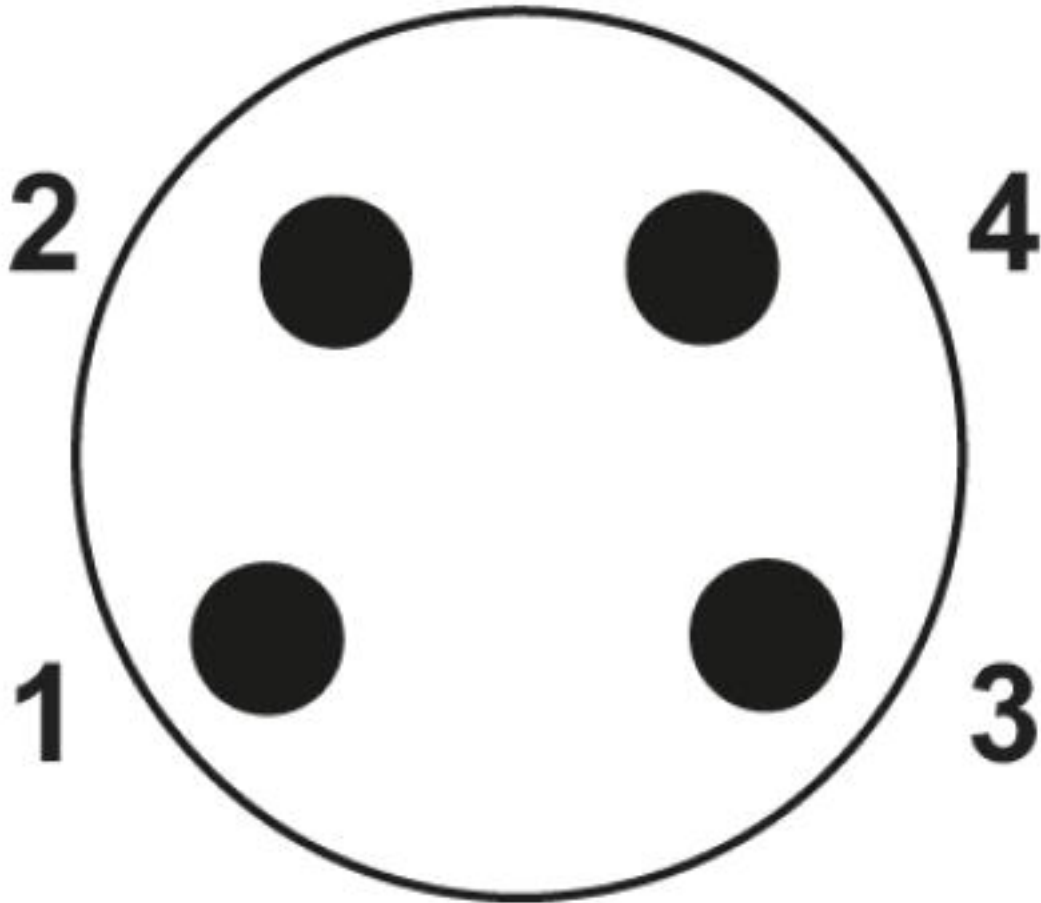
Circuit diagram



Contact assignment of the M8 plug

## Sensor/actuator cable - SAC-4P-M 8MR/ 3,0-600 FB - 1406843

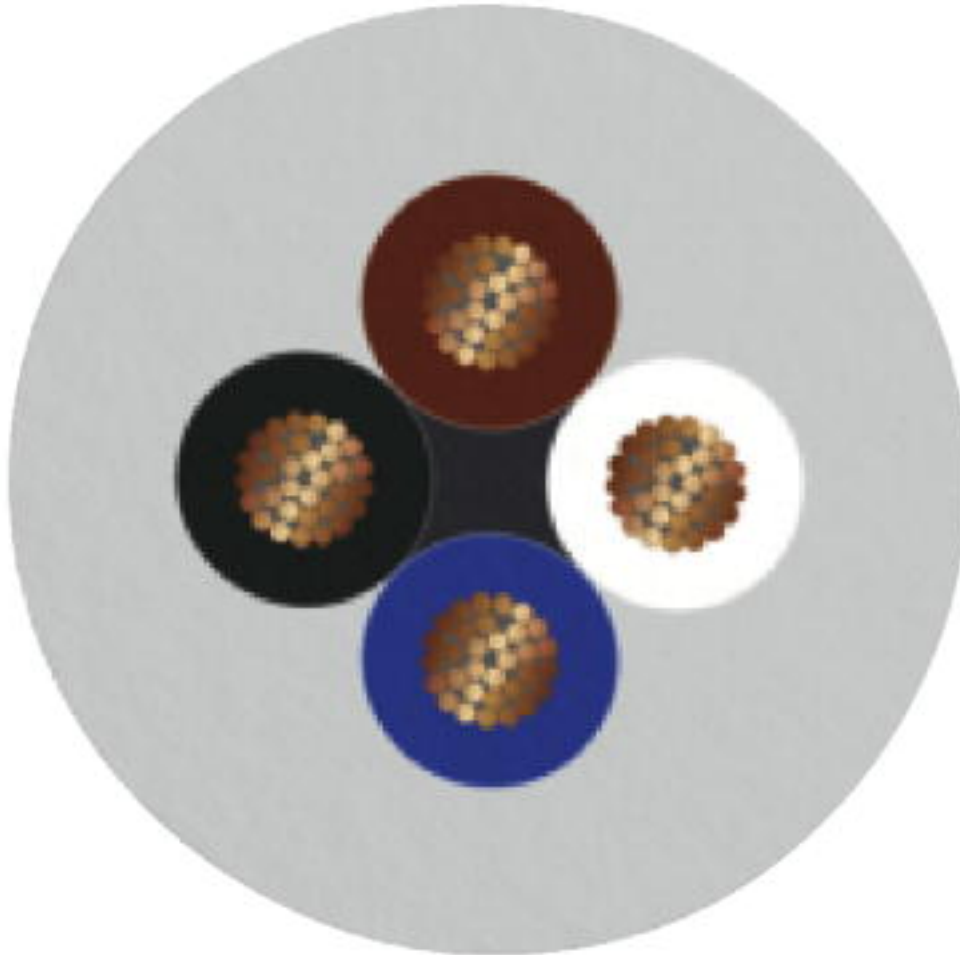
Schematic diagram



Pin assignment M8 plug, 4-pos., view male side

# Sensor/actuator cable - SAC-4P-M 8MR/ 3,0-600 FB - 1406843

Cable cross section



Halogen-free PP gray [600]

## Approvals

Approvals

---

Approvals

EAC

---

Ex Approvals

---

Approval details

## Sensor/actuator cable - SAC-4P-M 8MR/ 3,0-600 FB - 1406843

### Approvals

EAC



RU C-  
DE.BL08.B.00286

Phoenix Contact 2019 © - all rights reserved  
<http://www.phoenixcontact.com>

PHOENIX CONTACT GmbH & Co. KG  
Flachsmarktstr. 8  
32825 Blomberg  
Germany  
Tel. +49 5235 300  
Fax +49 5235 3 41200  
<http://www.phoenixcontact.com>