

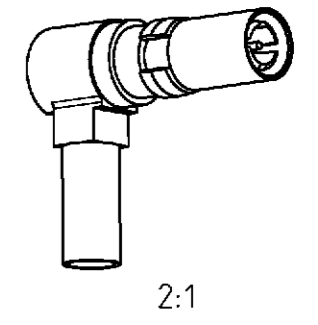
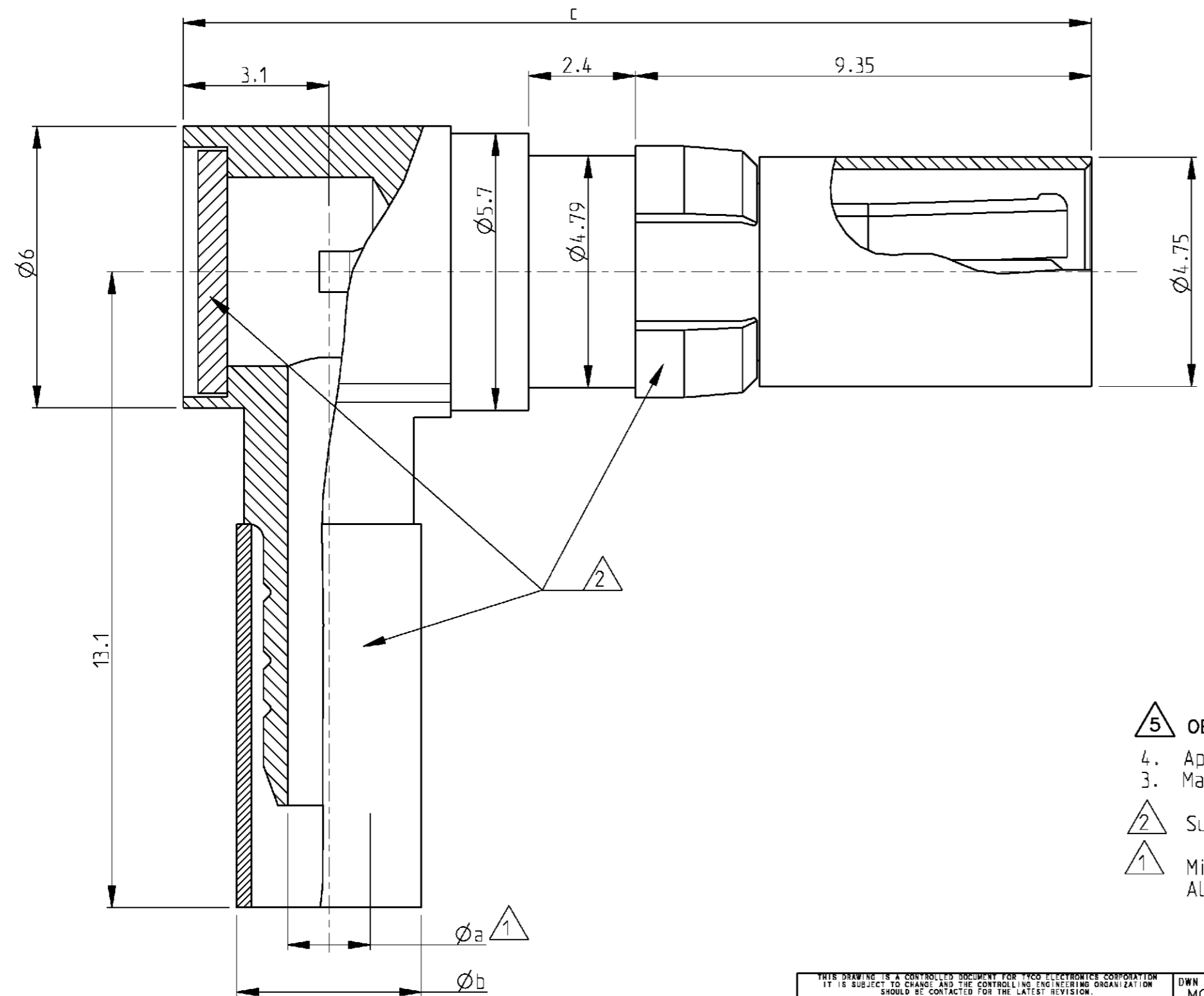
4

3

2

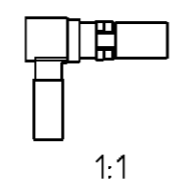
THIS DRAWING IS UNPUBLISHED. RELEASED FOR PUBLICATION 2000
 © COPYRIGHT 2000 BY TYCO ELECTRONICS CORPORATION. ALL RIGHTS RESERVED.

LOC	DIST	REVISIONS			
P	LTR	DESCRIPTION	DATE	DWN	APVD
GW	-	-	-	-	-
	A1	SR10-0146-01	09APR2001	CM	KM
	A2	REVISED PER ECO-10-000445	11JAN10	KK	AEG



- 5 OBSOLETE PARTS: OBSOLETE CIS STREAMLINING PER D.RENAUD/D.SINISI
- 4. Application : female connectors DIN 41612 : type M
- 3. Mating face according to DIN 41626 Part 2
- 2 Supplied as loose part
- 1 Minimum Dimension
All dimensions are max. dimensions unless otherwise specified

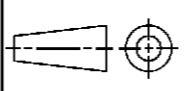
<small>THIS DRAWING IS A CONTROLLED DOCUMENT FOR TYCO ELECTRONICS CORPORATION IT IS SUBJECT TO CHANGE AND THE CONTROLLING ENGINEERING ORGANIZATION SHOULD BE CONTACTED FOR THE LATEST REVISION.</small>		DWN MOROBE 04APR2001 CHK MATTHEEUS 9APR2001 APVD BOZZER 9APR2001		tyco Tyco Electronics Electronics Oostkamp - Belgium	
DIMENSIONS: mm 		TOLERANCES UNLESS OTHERWISE SPECIFIED: 0 PLC ± 1 PLC ±0.5 2 PLC ±0.13 3 PLC ±0.013 4 PLC ±0.0001 ANGLES ±		NAME BULKHEAD PLUG 1.0/2.3 INSERT 50 Ohm	
MATERIAL - FINISH -		PRODUCT SPEC 108-71032 APPLICATION SPEC 114-71014 WEIGHT -		SIZE A3 CAGE CODE 00779 DRAWING NO. 1393668-4 RESTRICTED TO -	
				SCALE 10/1 SHEET 1 OF 2 REV A2	



THIS DRAWING IS UNPUBLISHED. RELEASED FOR PUBLICATION 2000
 © COPYRIGHT 2000 BY TYCO ELECTRONICS CORPORATION. ALL RIGHTS RESERVED.

LOC	DIST	REVISIONS			
P	LTR	DESCRIPTION	DATE	DWN	APVD
GW	-	SEE SHEET 1 OF 2			

Old Nr	Tyco Nr	Cable Type	Dim a	Dim b	Dim c	Description	Material	Plating
OBSOLETE △5	V23601-A556-E71A	1393668-9	RG316 B/U RG174 A/U	1.7	3.85	22.3	Dielectric PTFE Outer Con. Cu Be Center Con. Brass	1µm Au min in contact area 1µm Au min in contact area
	V23601-A556-E71	1393668-8	RG316 B/U RG174 A/U	1.7	3.85	22.3	Dielectric PTFE Outer Con. Cu Be Center Con. Brass	1µm Au min in contact area 1µm Au min in contact area
	V23601-A502-E73	1393668-7	L910/9 L910/19 Flex Cable 0.4/1.6	1.7	4.3	18.7	Dielectric PTFE Outer Con. Cu Be Center Con. Brass	1µm Au min in contact area 1µm Au min in contact area
OBSOLETE △5	V23601-A502-E71A	1393668-5	RG316 B/U RG174 A/U	1.7	3.85	18.7	Dielectric PTFE Outer Con. Cu Be Center Con. Brass	1µm Au min in contact area 1µm Au min in contact area
	V23601-A502-E71	1393668-4	RG316 B/U RG174 A/U	1.7	3.85	18.7	Dielectric PTFE Outer Con. Cu Be Center Con. Brass	1µm Au min in contact area 1µm Au min in contact area

<small>THIS DRAWING IS A CONTROLLED DOCUMENT FOR TYCO ELECTRONICS CORPORATION IT IS SUBJECT TO CHANGE AND THE CONTROLLING ENGINEERING ORGANIZATION SHOULD BE CONTACTED FOR THE LATEST REVISION.</small>		DWN MOROBE 4APR2001 CHK MATTHEEUS 9APR2001 APVD BOZZER 9APR2001	tyco Electronics Tyco Electronics Oostkamp - Belgium
DIMENSIONS: mm 	TOLERANCES UNLESS OTHERWISE SPECIFIED: 0 PLC ± 1 PLC ±0.5 2 PLC ±0.13 3 PLC ±0.013 4 PLC ±0.0001 ANGLES ±	PRODUCT SPEC 108-71032 APPLICATION SPEC 114-71014 WEIGHT -	NAME BULKHEAD PLUG 1.0/2.3 INSERT 50 Ohm -
MATERIAL -	FINISH -	RESTRICTED CUSTOMER	SIZE A3 CAGE CODE 00779 DRAWING NO. 1393668-4 RESTRICTED TO - SCALE 10/1 SHEET 2 OF 2 REV A2