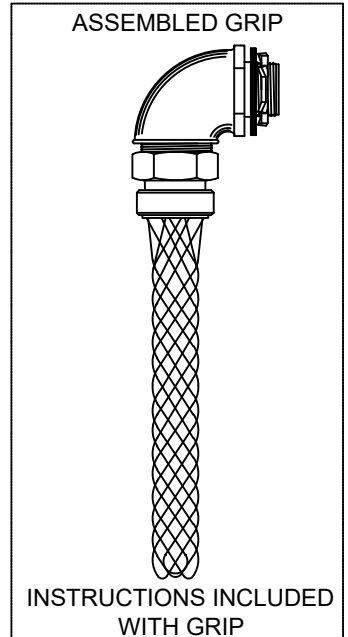
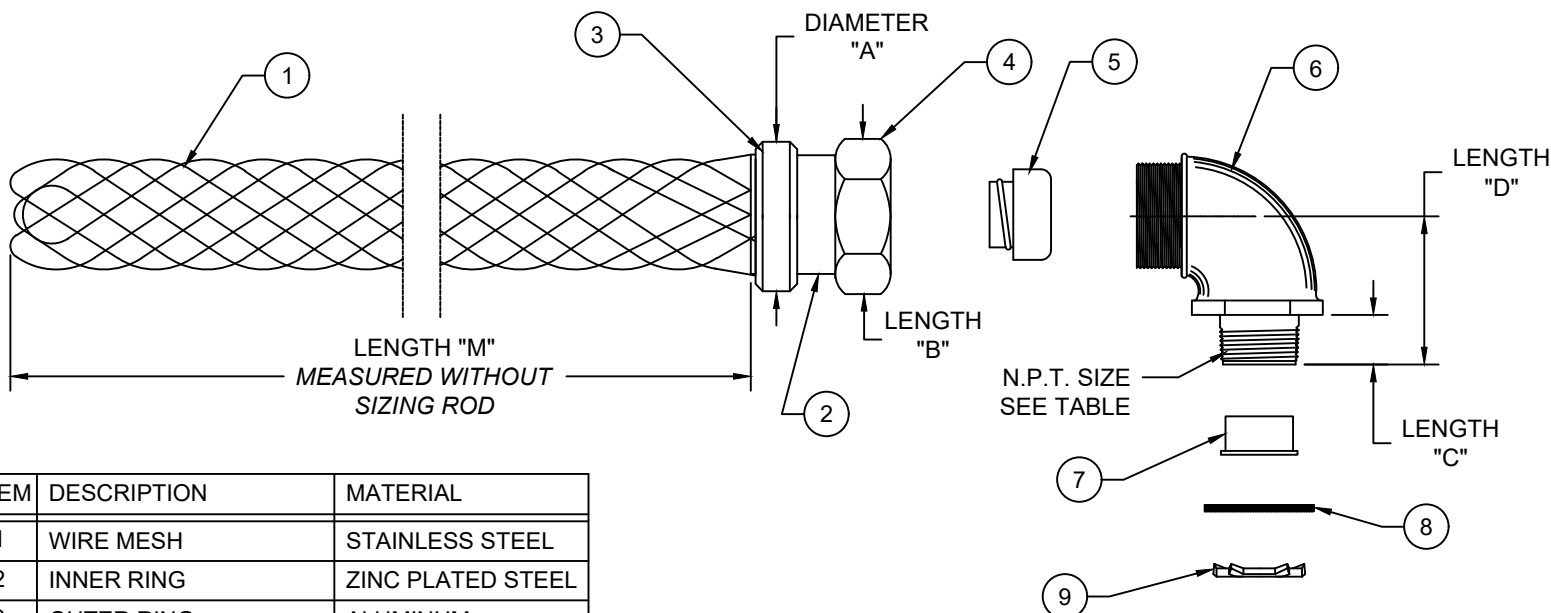


CATALOG NUMBER	MATERIAL NUMBER	CONDUIT SIZE	N.P.T. FITTING SIZE	LENGTH "M"	DIAMETER "A" REF.	LENGTH "B" REF.	LENGTH "C" REF.	LENGTH "D" REF.	PRODUCT SELECTION NUMBER
36443	1300960058	3/8"	1/2"	3.875±0.500 / 98.43±12.70	1.0 / 25	1.13 / 28.7	0.63 / 16.0	1.25 / 31.8	STB038P-90
36400	1300960050	1/2"	1/2"	4.625±0.500 / 117.48±12.70	1.2 / 30	1.25 / 31.8	0.63 / 16.0	1.25 / 31.8	STB050P-90
36402	1300960052	1"	1"	7.000±0.500 / 177.80±12.70	1.7 / 43	1.81 / 45.9	0.75 / 19.1	1.38 / 35.1	STB100P-90
36403	1300960053	1-1/4"	1-1/4"	8.125±1.000 / 206.38±25.40	2.0 / 51	2.31 / 58.7	0.63 / 16.0	1.81 / 45.9	STB125P-90
36404	1300960054	1-1/2"	1-1/2"	9.250±1.000 / 234.95±25.40	2.5 / 64	2.63 / 66.8	0.63 / 16.0	2.44 / 61.9	STB150P-90
36405	1300960055	2"	2"	11.500±1.000 / 292.10±25.40	3.0 / 76	3.19 / 81.0	0.69 / 17.5	2.63 / 66.8	STB200P-90
37033	-----	2-1/2"	2-1/2"	11.250±1.000 / 285.75±25.40	3.6 / 91	3.94 / 100.1	1.06 / 26.9	7.19 / 182.6	STB250P-90
37034	-----	3"	3"	14.750±1.500 / 374.65±38.10	4.3 / 109	4.38 / 111.3	1.19 / 30.2	8.63 / 219.2	STB300P-90
37035	-----	4"	4"	16.250±1.500 / 412.75±38.10	5.4 / 137	5.50 / 139.7	1.25 / 31.8	11.25 / 285.8	STB400P-90

UL LISTED	CSA APRVD
Y	Y
E	E
S	S



ITEM	DESCRIPTION	MATERIAL
1	WIRE MESH	STAINLESS STEEL
2	INNER RING	ZINC PLATED STEEL
3	OUTER RING	ALUMINUM
4	COMPRESSION NUT	ZINC PLATED STEEL OR MALLEABLE IRON
5	FERRULE	ZINC PLATED STEEL OR ALUMINUM
6	THREADED BODY	ZINC PLATED STEEL OR MALLEABLE IRON
7	THROAT INSULATION	PLASTIC
8	GASKET	NEOPRENE
9	LOCK NUT	ZINC PLATED STEEL

FUNCTIONAL SYMBOLS	THIS DRAWING CONTAINS INFORMATION THAT IS PROPRIETARY TO MOLEX ELECTRONIC TECHNOLOGIES, LLC AND SHOULD NOT BE USED WITHOUT WRITTEN PERMISSION		
$\nabla_A = 0$ $\nabla_C = 0$ $\nabla_F = 0$	DIMENSION UNITS	SCALE	CURRENT REV DESC: OBSOLETE PART NUMBER AS PER PCN#510808
	INCH/MM	NTS	
DIVISIONAL SYMBOLS	GENERAL TOLERANCES (UNLESS SPECIFIED)		EC NO: 736640
		mm	INCH
	4 PLACES	± ----	± ----
	3 PLACES	± ----	± 0.005
	2 PLACES	± 0.13	± 0.01
1 PLACE	± 0.25	± 0.02	
0 PLACES	± ----	± ----	
	ANGULAR TOL ± 0.5 °		EC NO: 736640
	DRAFT WHERE APPLICABLE MUST REMAIN WITHIN DIMENSIONS		DRWN: SUGEEB 2022/12/21
	THIRD ANGLE PROJECTION	DRAWING	CHK'D: LIKITV 2023/02/14
		SERIES	APPR: GGA 2023/02/16
			INITIAL REVISION:
			DRWN: HRUIZ01 2014/09/23
			APPR: JFMURPHY 2015/04/27
			DOCUMENT NUMBER
			SD-130096-101
			DOC TYPE
			PSD
			DOC PART
			001
			REVISION
			A1
			MATERIAL NUMBER
			SEE TABLE
			CUSTOMER
			GENERAL MARKET
			SHEET NUMBER
			1 OF 1