

PART NO. AND WEEK/YEAR DATE CODE TO BE PRINTED ON THE BACK OF COMPLETED CAGE ASSEMBLY APPROXIMATELY AS SHOWN ON 100114 SERIES CAGE ASSEMBLIES

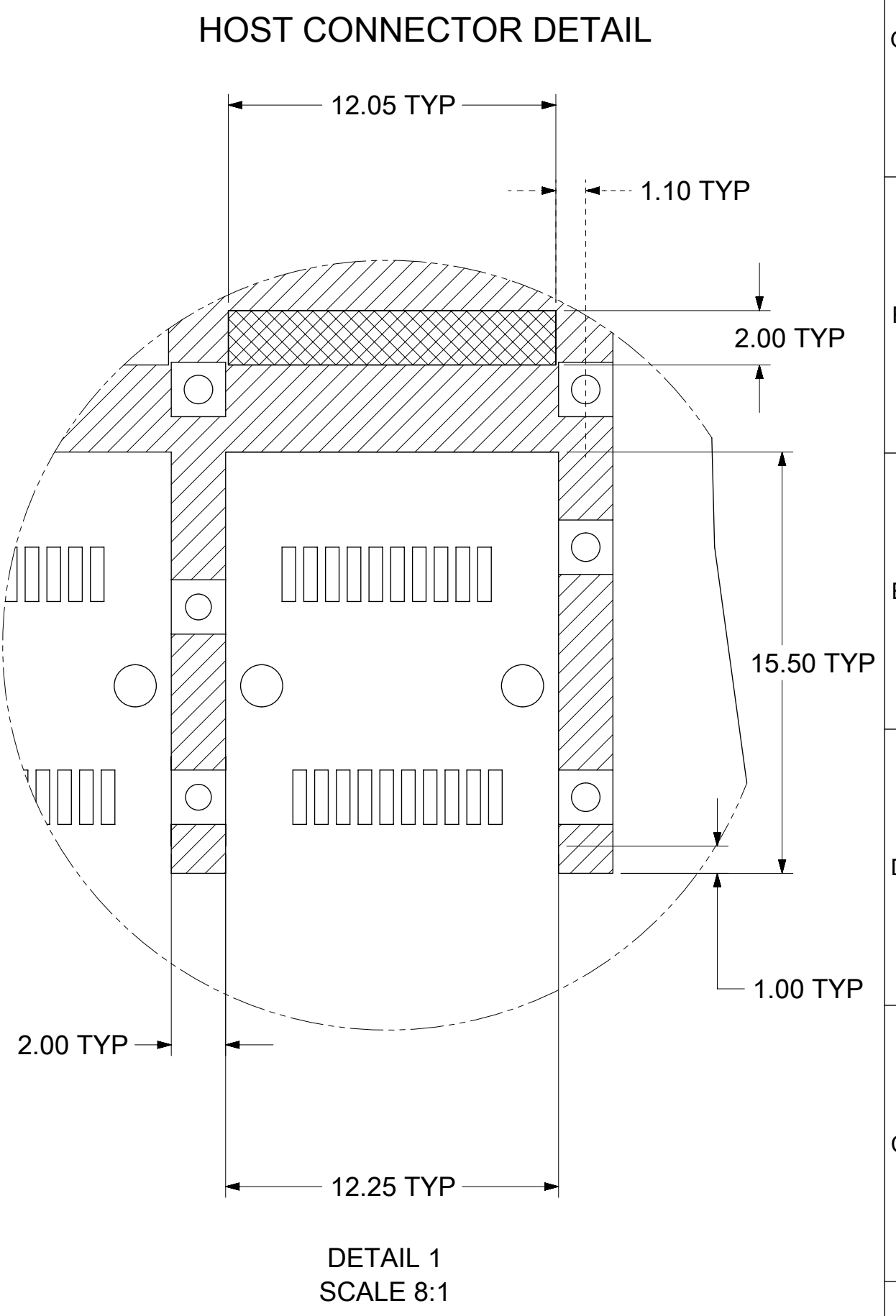
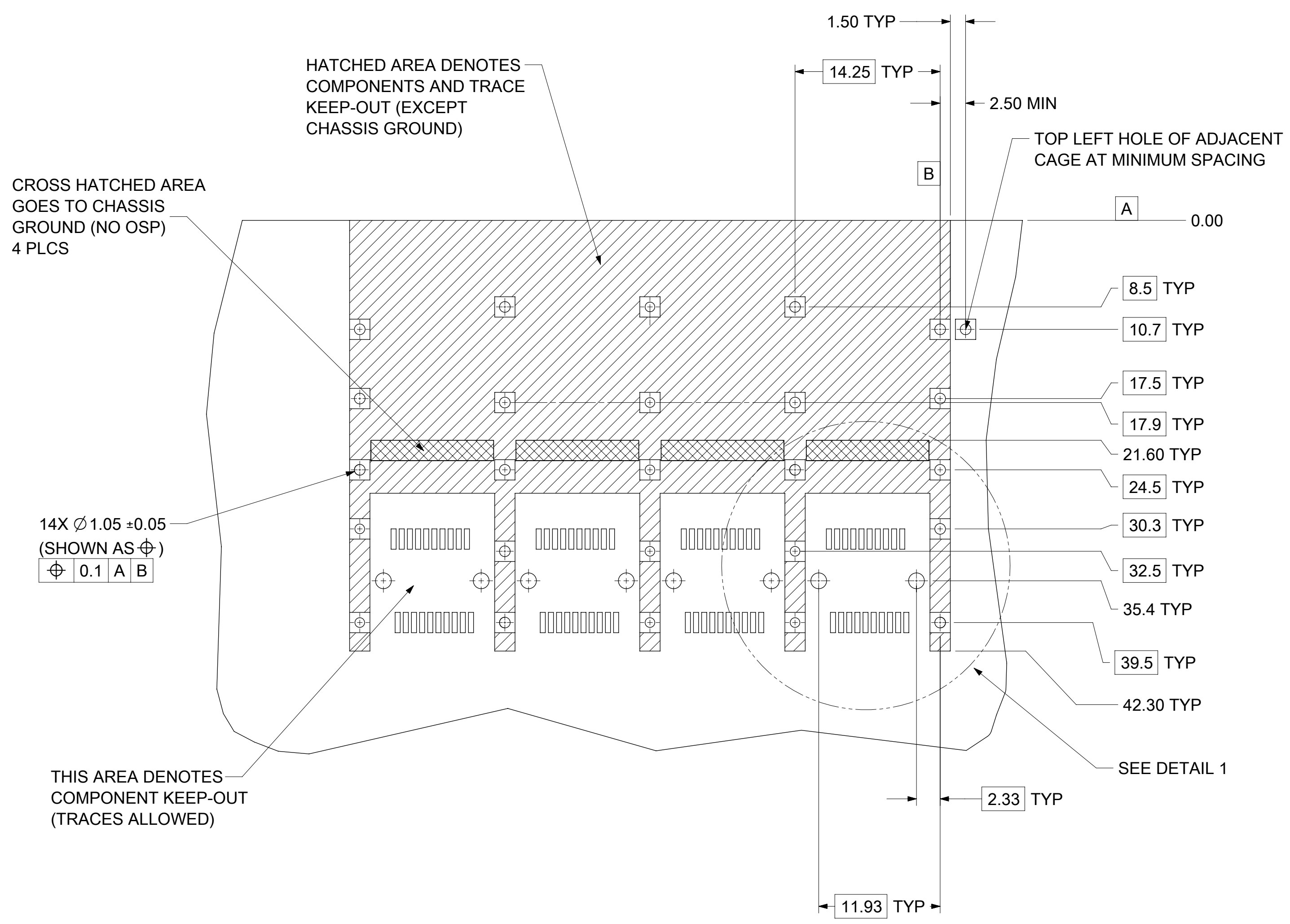
WEEK/YEAR DATE CODE TABLE	
WW	01 THRU 52 OR 53 EXAMPLE: 01 = FIRST WEEK OF YEAR 52 = LAST WEEK OF YEAR
YY	22, 23, 24 ETC. EXAMPLE: YEAR 2022 = 22

- NOTES:**
- MATERIAL:**
CAGE: 0.25mm THICK COPPER ALLOY, NICKEL PLATED.
SPRING FINGERS: STAINLESS STEEL.
 - PRESS FIT LEGS 3.05mm LONG:**
 - PORTS ARE DESIGNED FOR SFP+ TRANSCEIVERS AND ARE COMPATIBLE WITH SFP TRANSCEIVERS. THE TOP SURFACE OF THE MODULE MUST BE FLAT (NO PRODUCT LABEL RECESS) AND THERMALLY CONDUCTIVE TO FUNCTION OPTIMALLY.**
 - WELD SPOT MAY SHOW SLIGHT MATERIAL DISCOLORATION.**
 - NO RoHS EXEMPTIONS.**

THIS DRAWING CONTAINS INFORMATION THAT IS PROPRIETARY TO MOLEX ELECTRONIC TECHNOLOGIES, LLC AND SHOULD NOT BE USED WITHOUT WRITTEN PERMISSION									
FUNCTIONAL SYMBOLS	THIS DRAWING CONTAINS INFORMATION THAT IS PROPRIETARY TO MOLEX ELECTRONIC TECHNOLOGIES, LLC AND SHOULD NOT BE USED WITHOUT WRITTEN PERMISSION	SCALE	CURRENT REV DESC: SEE REVISION TABLE						
$\nabla_A = 0$	mm	2:1	<p>EC NO: 707262</p> <p>DRWN: ABHILT2 2022/04/19</p> <p>CHK'D: TKUMARKC 2022/05/25</p> <p>APPR: SCHIEN 2022/05/27</p> <p>INITIAL REVISION:</p> <p>DRWN: ABHILT2 2022/04/19</p> <p>APPR: SCHIEN 2022/05/27</p>						
$\nabla_C = 0$	GENERAL TOLERANCES (UNLESS SPECIFIED)								
$\nabla_P = 0$	ANGULAR TOL ± 1.0°								
DIVISIONAL SYMBOLS	4 PLACES ±	3 PLACES ±							
	2 PLACES ± 0.15	1 PLACE ± 0.25	PRODUCT CUSTOMER DRAWING						
	0 PLACES ±		DOCUMENT NUMBER			DOC TYPE	DOC PART	REVISION	
	DRAFT WHERE APPLICABLE MUST REMAIN WITHIN DIMENSIONS		THIRD ANGLE PROJECTION		DRAWING	SERIES	MATERIAL NUMBER	CUSTOMER	SHEET NUMBER
			C-SIZE	100114	1001148420		1001148420		1 OF 4

DOCUMENT STATUS	P1	RELEASE DATE	2022/05/27	10:20:25
-----------------	----	--------------	------------	----------

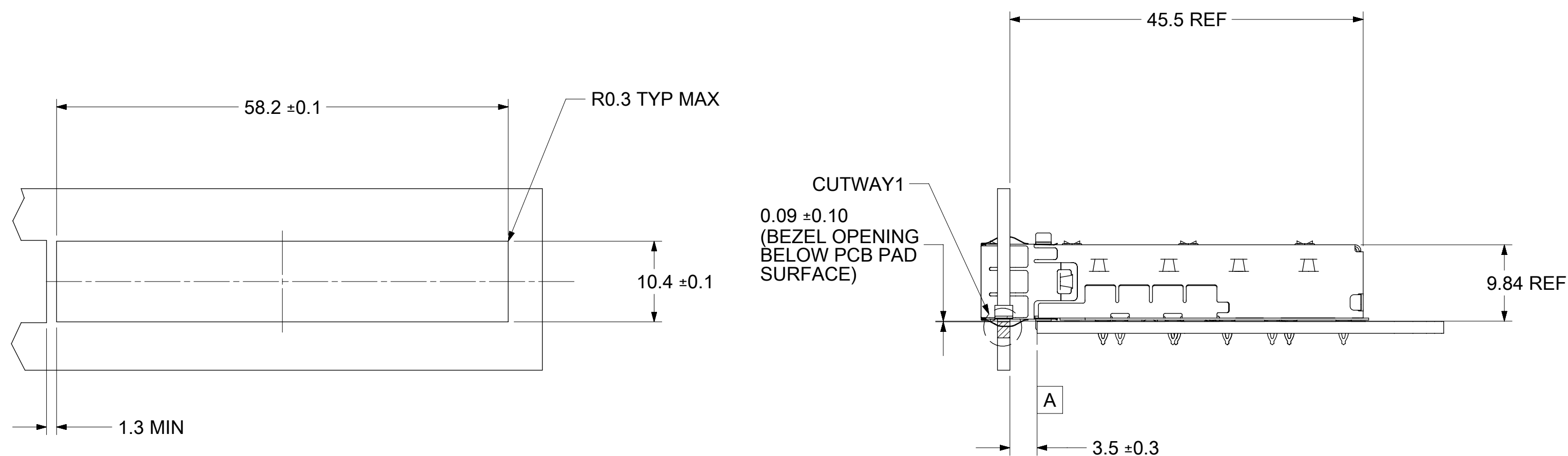
PCB LAYOUT FOR SINGLE SIDE MOUNT



- NOTES:**
1. PADS AND VIAS CONNECT TO CHASSIS GROUND (RECOMMENDED PADS TO BE 2.00mm SQUARE)
 2. RECOMMENDED THRU HOLE PLATING INCLUDES HASL, OSP, OR IMMERSION (GOLD, SILVER, OR TIN)
 3. CONNECTOR PAD LAYOUT PER SFP+ MSA WILL ACCOMMODATE MOLEX CONNECTOR SERIES 170382 OR EQUIVALENT
 4. HOLE PATTERN REPEATS FOR EACH PORT, SPACING BETWEEN PORTS IS 14.25mm
 5. MINIMUM PCB THICKNESS FOR SINGLE SIDED USE 1.57mm.

FUNCTIONAL SYMBOLS	THIS DRAWING CONTAINS INFORMATION THAT IS PROPRIETARY TO MOLEX ELECTRONIC TECHNOLOGIES, LLC AND SHOULD NOT BE USED WITHOUT WRITTEN PERMISSION		CURRENT REV DESC: SEE REVISION TABLE		molex
	DIMENSION UNITS	SCALE			
$\frac{E}{A} = 0$	mm	3:1			ZSFP+ 1X4 SF CAGE ASSY'S PRESS FIT, W/ SUS SF, UNDER BELLY GASKET.
$\frac{E}{C} = 0$	GENERAL TOLERANCES (UNLESS SPECIFIED)				
$\frac{E}{P} = 0$	ANGULAR TOL ± 1.0°				PRODUCT CUSTOMER DRAWING
DIVISIONAL SYMBOLS	4 PLACES ±		EC NO: 707262		
	3 PLACES ±		DRWN: ABHILT2 2022/04/19		
	2 PLACES ± 0.15		CHK'D: TKUMARKC 2022/05/25		
	1 PLACE ± 0.25		APPR: SCHIEN 2022/05/27		
	0 PLACES ±		INITIAL REVISION:		
	DRAFT WHERE APPLICABLE MUST REMAIN WITHIN DIMENSIONS		DRWN: ABHILT2 2022/04/19		DOCUMENT NUMBER
	THIRD ANGLE PROJECTION		APPR: SCHIEN 2022/05/27		1001148420
	DRAWING		SERIES		DOC TYPE
	C-SIZE		100114		PSD
	MATERIAL NUMBER		CUSTOMER		DOC PART
	1001148420				ASY
	SHEET NUMBER				REVISION
	2 OF 4				A

BEZEL AND BOARD POSITION DIMENSIONS FOR SINGLE SIDE MOUNTING (SPRING FINGER)



NOTE:
 1. PCB THICKNESS VARIATION MUST BE CONSIDERED WHEN DETERMINING BEZEL OPENING LOCATION.
 2. CAGE LEG STANDOFF WILL PIERCE BELLY GASKET WHEN PROPERLY PRESSED INTO PCB.

FUNCTIONAL SYMBOLS	THIS DRAWING CONTAINS INFORMATION THAT IS PROPRIETARY TO MOLEX ELECTRONIC TECHNOLOGIES, LLC AND SHOULD NOT BE USED WITHOUT WRITTEN PERMISSION											
$\frac{F}{A} = 0$	DIMENSION UNITS	SCALE	CURRENT REV DESC: SEE REVISION TABLE							<h1 style="margin: 0;">molex</h1>		
$\frac{F}{C} = 0$	mm	2:1										
$\frac{F}{P} = 0$	GENERAL TOLERANCES (UNLESS SPECIFIED)		EC NO: 707262							ZSFP+ 1X4 SF CAGE ASSY'S PRESS FIT, W/ SUS SF, UNDER BELLY GASKET.		
	ANGULAR TOL ± 1.0°		DRWN: ABHILT2				2022/04/19					
	4 PLACES ±		CHK'D: TKUMARKC				2022/05/25					
DIVISIONAL SYMBOLS	3 PLACES ±		APPR: SCHIEN				2022/05/27		PRODUCT CUSTOMER DRAWING			
	2 PLACES ± 0.15		INITIAL REVISION:				DOCUMENT NUMBER		DOC TYPE	DOC PART	REVISION	
	1 PLACE ± 0.25		DRWN: ABHILT2				2022/04/19		1001148420	PSD	ASY	A
	0 PLACES ±		APPR: SCHIEN				2022/05/27					
	DRAFT WHERE APPLICABLE MUST REMAIN WITHIN DIMENSIONS		THIRD ANGLE PROJECTION	DRAWING	SERIES	MATERIAL NUMBER	CUSTOMER	SHEET NUMBER				
				C-SIZE	100114	1001148420		3 OF 4				

DOCUMENT STATUS	P1	RELEASE DATE	2022/05/27	10:20:25
-----------------	----	--------------	------------	----------

H

G

F

E


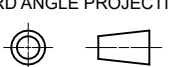

D

C

B

A

REV	DATE	DESCRIPTION
A	2022/05/25	INITIAL RELEASE

FUNCTIONAL SYMBOLS $\nabla_A = 0$ $\nabla_C = 0$ $\nabla_P = 0$	THIS DRAWING CONTAINS INFORMATION THAT IS PROPRIETARY TO MOLEX ELECTRONIC TECHNOLOGIES, LLC AND SHOULD NOT BE USED WITHOUT WRITTEN PERMISSION													
	DIMENSION UNITS mm	SCALE 1:1	CURRENT REV DESC: SEE REVISION TABLE											
	GENERAL TOLERANCES (UNLESS SPECIFIED)		EC NO: 707262		DRWN: ABHILT2		2022/04/19		ZSFP+ 1X4 SF CAGE ASSY'S PRESS FIT, W/ SUS SF, UNDER BELLY GASKET.					
	ANGULAR TOL ± 1.0°		4 PLACES ±		CHK'D: TKUMARKC		2022/05/25							
DIVISIONAL SYMBOLS		3 PLACES ±		APPR: SCHIEN		2022/05/27		PRODUCT CUSTOMER DRAWING						
2 PLACES ± 0.15		1 PLACE ± 0.25		INITIAL REVISION:		DRWN: ABHILT2		2022/04/19		DOCUMENT NUMBER		DOC TYPE	DOC PART	REVISION
0 PLACES ±		DRAFT WHERE APPLICABLE MUST REMAIN WITHIN DIMENSIONS		THIRD ANGLE PROJECTION		DRAWING		SERIES		MATERIAL NUMBER		CUSTOMER		SHEET NUMBER
				C-SIZE		100114		1001148420		1001148420		PSD ASY		A

DOCUMENT STATUS	P1	RELEASE DATE	2022/05/27	10:20:25
-----------------	----	--------------	------------	----------

FORMATS: mox-01-0001
REVISION: 01
DATE: 2019/05/01