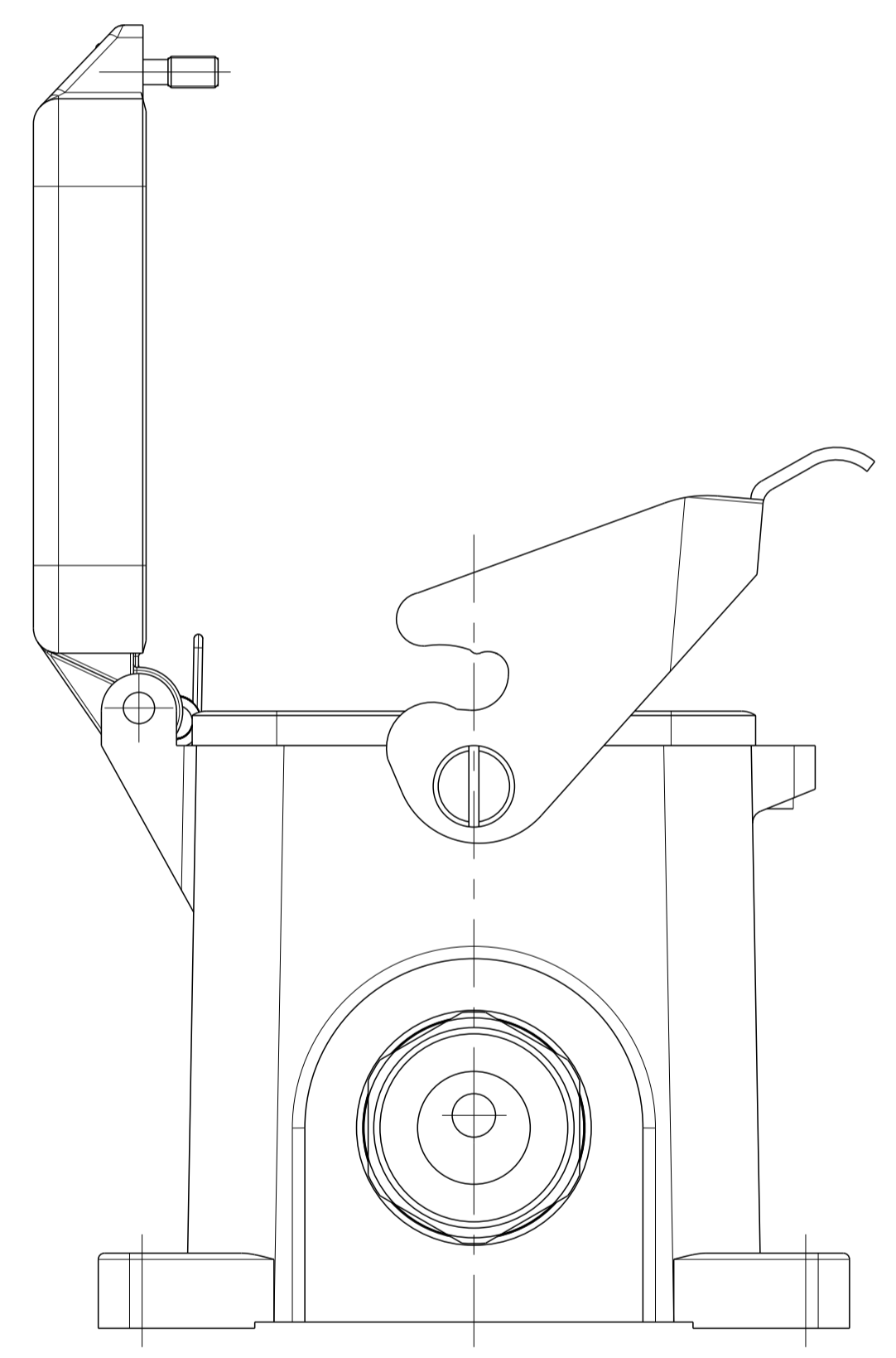
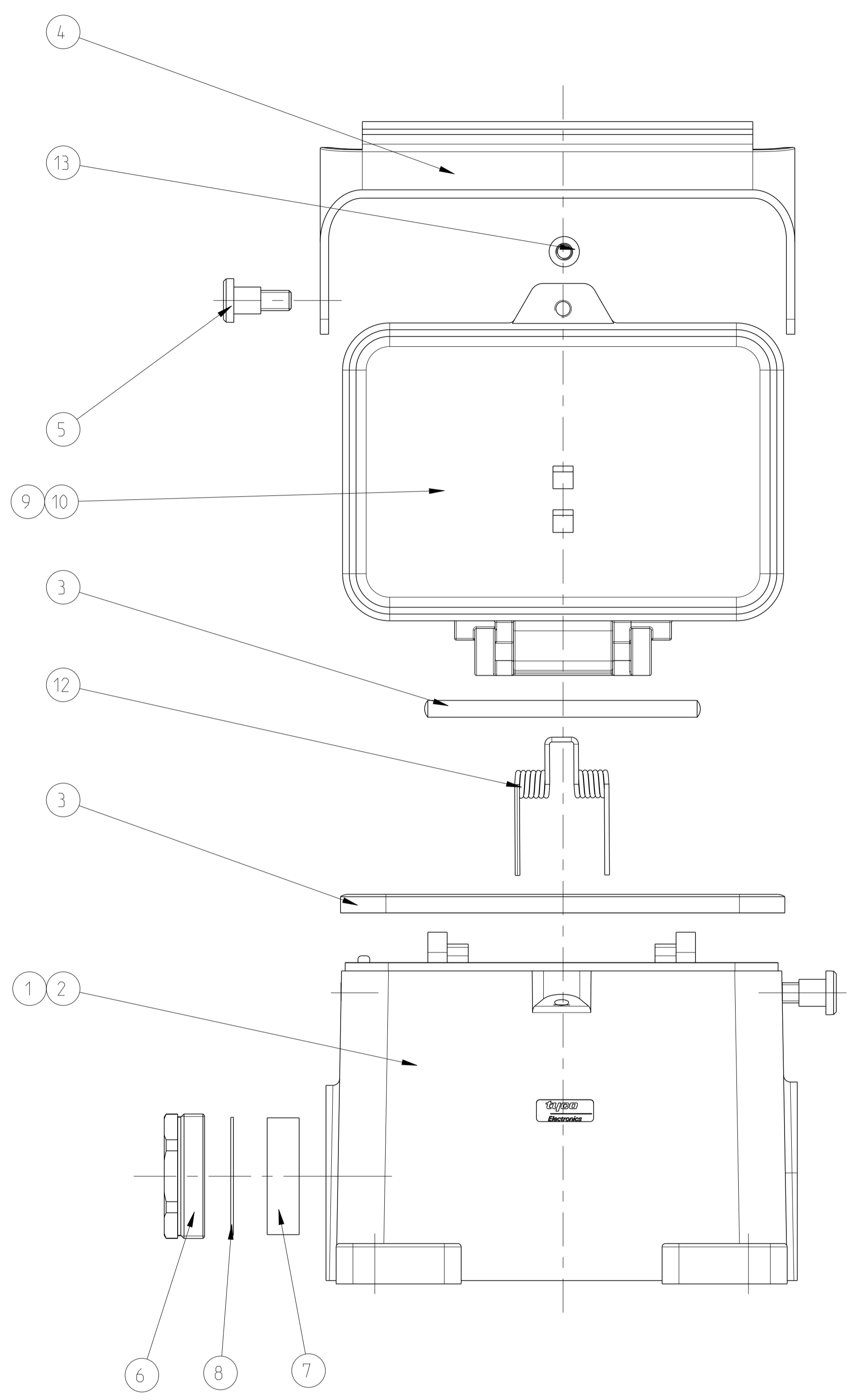


LOC	DIST	REVISIONS					
		P	LTN	DESCRIPTION	DATE	DWN	APVD
A1	-	A3		new pro/E drawing ECR-09-003111	28JAN2009	SR	AR
		A4		ECR-15-000844	29JAN2015	GSK	MKO



NOTES

- PART SHALL BE FREE AND CLEAN OF BURRS AND OTHER FOREIGN MATERIAL
- PACKAGING: QUANTITY 2 PIECES
- VARNISHING INSIDE HOUSING NOT REQUIRED

QTY	DESCRIPTION	MATERIAL	SURFACE	COLOR	ITEM	NOTES
1	1 CYLINDER SCREW	STEEL	ZINC PLATED	BLUE	13	M5x16
1	1 LEG SPRING	STEEL	ZINC PLATED	BLUE	12	
1	1 RIVET PIN	STEEL	ZINC PLATED	BLUE	11	5x80
1	COVER	ALUMINIUM		GREY	10	NEUTRAL
1	COVER	ALUMINIUM		GREY	9	
1	1 CLOSE RING	NEOPRENE		BLACK	8	Pg29
1	1 PRESSING RING	STEEL	ZINC PLATED	BLUE	7	Pg29
1	1 PRESSING SCREW	BRASS	NICKEL PLATED	BLUE	6	Pg29
2	2 SLOTTED PAN HEAD SCREW	STAINLESS STEEL	BLANC		5	M6x8
1	1 SIDE CLIP	STEEL	ZINC PLATED	BLUE	4	
1	1 PRPOFIL SEAL	NEOPRENE		BLACK	3	
1	SURFACE MOUNTED HOUSING SIDE ENTRY	ALUMINIUM		GREY	2	NEUTRAL
1	SURFACE MOUNTED HOUSING SIDE ENTRY	ALUMINIUM		GREY	1	
0-1	DESCRIPTION	MATERIAL	SURFACE	COLOR	ITEM	NOTES
HB.48.SGD-LB.1.29						
HB.48.SGD-LB.1.29						

THIS DRAWING IS A CONTROLLED DOCUMENT. DWN: R. SCHNEIDER 28JAN2009
 CHK: T. SCHNURPFEL 28JAN2009

TE TE Connectivity

NAME: SURFACE MOUNTED HOUSING SIDE ENTRY HB.48

SIZE: A1 CAGE CODE: 00779 DRAWING NO: 1107000

SCALE: 1:1 SHEET 1 OF 1 REV: A4

CUSTOMER DRAWING