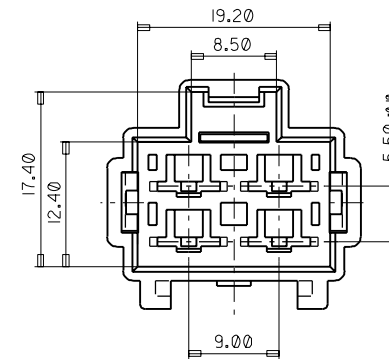
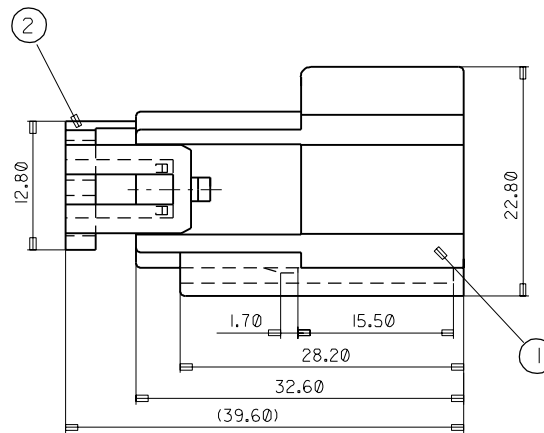
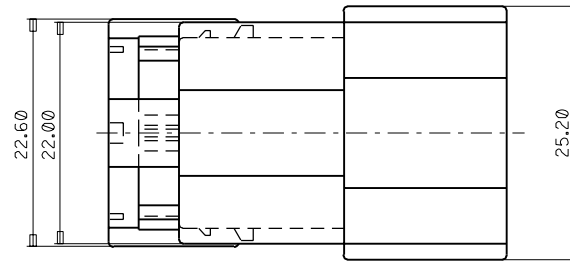
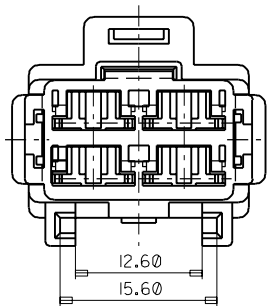


PROJECT NO. SIMILAR ITEM EDP NO. ENG. NO  
SD 35272-0410



	P/NO.	PART NAME	MATERIAL
①	35272-0490	POWERMATE MALE HSG 4P	PBT
②	35273-0480	POWERMATE MALE TPA 4P	PBT

\* APPLICABLE TERMINAL : 35725-30\*\*,18\*\*,19\*\*

			MATERIAL SEE TABLE		MOLEX-KOREA CO.,LTD.	
			GENERAL TOLERANCE		DRAWN BY	
			DIMENSION : *0.20		961120 J.K.OH	
			ANGLE :		CHK'D BY	
			DIMENSION CLASSIFICATION		APP'D BY	
			▽ : CRITICAL ▼ : MAJOR		SCALE 2 : 1	
			( ) : REFERENCE		TITLE :	
A	NEW RELEASE	KOR1997-0153	971120	ASS'Y PART		SHEET
LTR	REVISION RECORD	ECN	DATE	DESCRIPTION ENG. NO.		POWERMATE MALE ASSY 4P 1/1
REVISE ONLY ON CAD SYSTEM				ENG. NO.		REV
				SD 35272-0410		A